

DASH

DSKM50

Dash One Hole High Profile Bar Faucet with Metal Lever Handle



SHOWN IN DASH ONE HOLE HIGH PROFILE BAR FAUCET WITH METAL LEVER HANDLE| DSKM50

TECHNICAL DETAILS

Deck Thickness Maximum: 1 3/8"
Deck Thickness Minimum: 1/4"
Escutcheon Primary Material: Brass
Fitting Hole Configuration / Number: One
Fittings Hole Diameter: 1 1/2"
Flow Restriction Options: 2.0, 1.75
Handle Turn Angle: Full Turn
Depth / Width: 7 3/16"
Height: 8 5/8"
Inlet Connection Size: 3/8"
Inlet Connection Type: Compression Connector Hoses
Integrated Diverter: N
Integrated Spray: N
Number of Holes: One Hole
Primary Material: Brass
Restricted Maximum Flow Rate: 2.2 gpm
Suggested Application: Bar, Kitchen, Laundry
Valve Material: Ceramic
Water Pressure Maximum: 85.0 psi
Water Pressure Minimum: 20.0 psi
Water Pressure Recommended: 45.0 psi

INSPIRATION

A blend of art and function, Dash pays homage to design elements of the 1930s with pared-down shapes, softened curves and minimal details.

PRODUCT FEATURES

Lever handle.

Progressive Control. When the handle is rotated the flow of cold water begins; continue rotating activates the mixing by adding hot water; at the end of the rotation, only hot water flows. Full rotation is a quarter turn

Enhanced machining in the handle attachment ensure perfect handle alignment in the off position

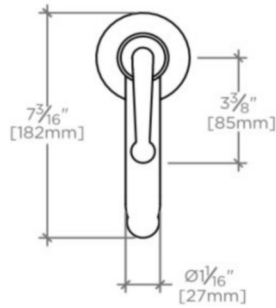
Available in 1.75gpm (6.6 L /min)

WATERWORKS

DASH

DSKM50

Dash One Hole High Profile Bar Faucet with Metal Lever Handle



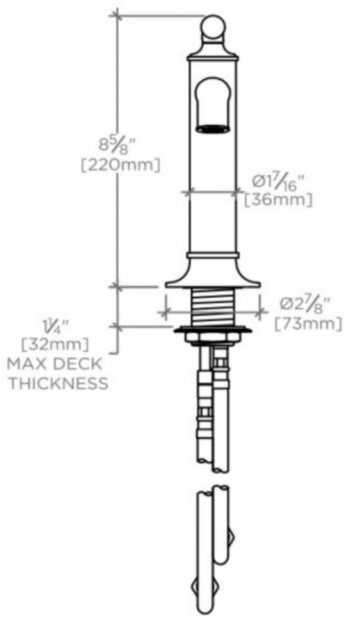
TOP VIEW

SCALE: 2"=1'-0"



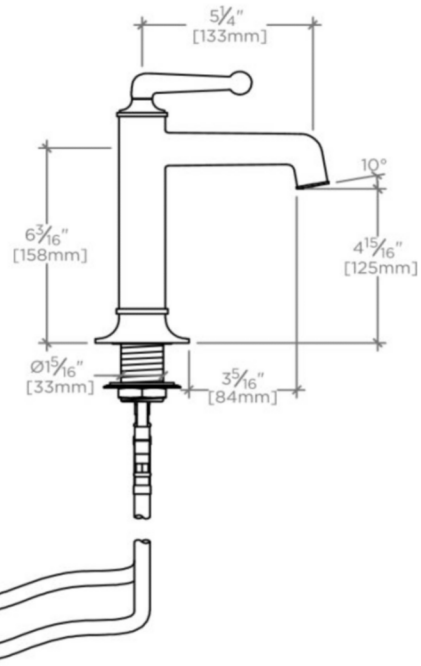
ISO VIEW

SCALE: 2"=1'-0"



FRONT VIEW

SCALE: 2"=1'-0"



SIDE VIEW

SCALE: 2"=1'-0"