

LAV SET ~ COVERED

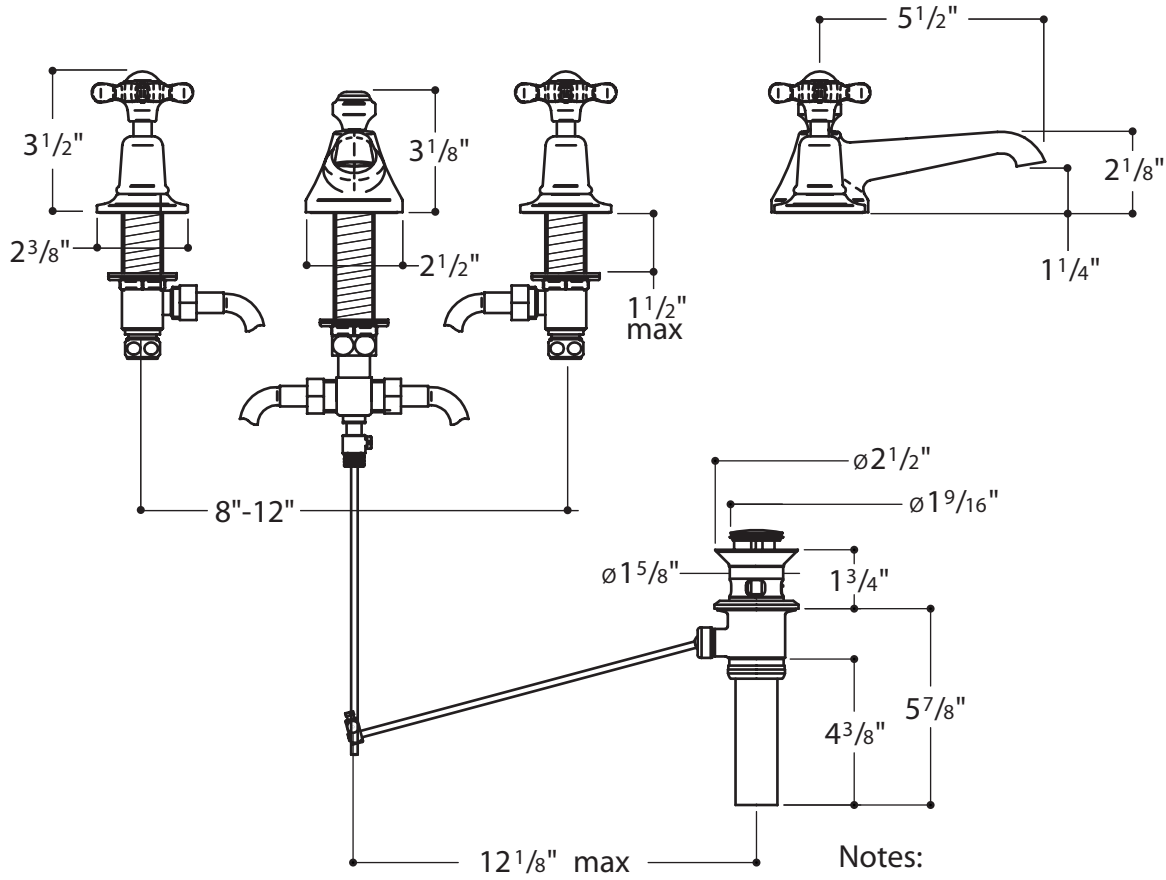
EALS01 (cross handle)

EALS02-K (metal lever handle)

EALS03-K (white porcelain lever handle)

EALS04-K (black porcelain lever handle)

EALS05-K (oak lever handle)



Notes:

- Drilling hole size: 1 1/4"
- 1/4" flanged tail piece included

EALS02-K	EALS03-K,04-K,05-K

All dimensions are based on original specifications and are subject to change and variation. Please consult your Design Associate for current specification.