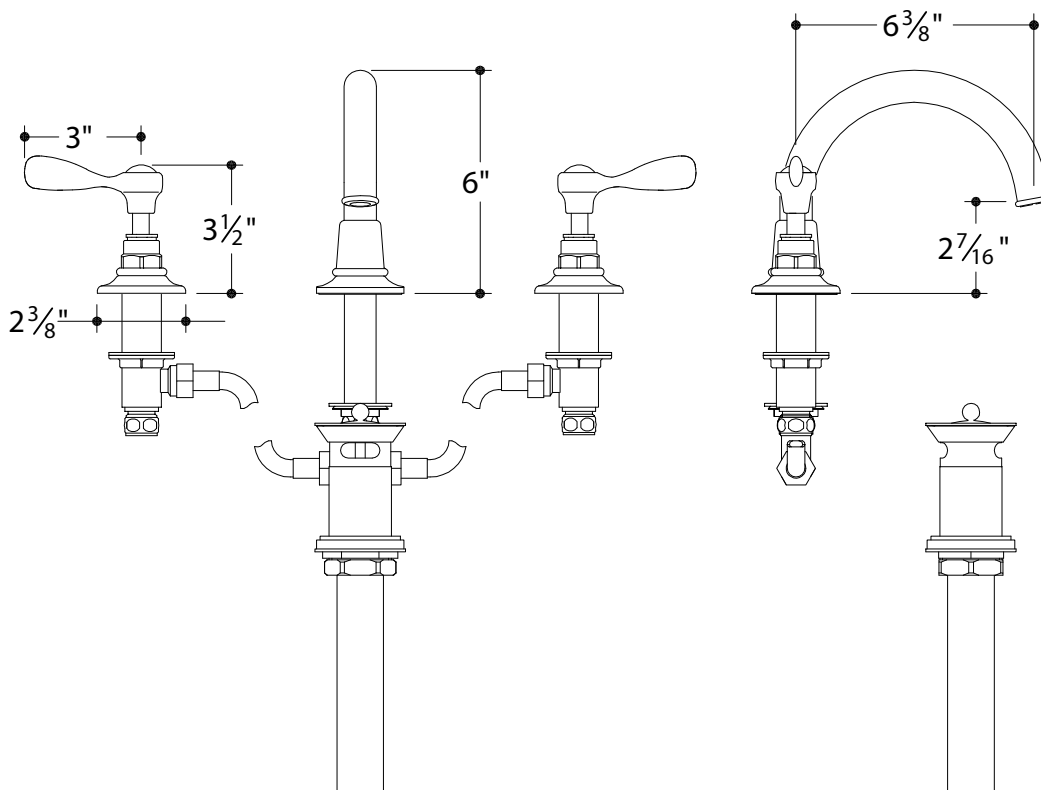


VINTAGE GOOSENECK LAVATORY FAUCET

- EALS52-K (Metal Lever Handles)
- EALS53-K (White Porcelain Lever Handles)
- EALS54-K (Black Porcelain Lever Handles)
- EALS55-K (Oak Lever Handles)



Notes:

- Drill Hole Size: Spout- $\frac{7}{8}$ "
Side Valves- $1 \frac{1}{4}$ "
- Lift and turn drain with $\frac{1}{4}$ " tail piece included.

All dimensions are based on original specifications and are subject to change and variation. Please consult your Design Associate for current specification.

