

ISLA

Isla Gooseneck Lavatory Faucet with Metal Geode Handles

ISLS25



SHOWN IN ISLA GOOSENECK LAVATORY FAUCET WITH METAL GEODE HANDLES | ISLS25

TECHNICAL DETAILS

Adjustable versus Fixed Spray: Fixed Spray
 Deck Thickness Maximum: 2 1/4"
 Deck Thickness Minimum: 3/8"
 Drain Depth Maximum: 2 5/8"
 Drain Hole Diameter: 1 3/4"
 Drain Style: Push Touch
 Escutcheon Primary Material: Brass
 Fittings Hole Diameter: 1 1/4"
 Handle Spread Maximum: 12"
 Handle Spread Minimum: 8"
 Handle Turn Angle: Quarter Turn
 Drain Depth Minimum: 3/8"
 Height: 10 1/8"
 Inlet Connection Size: 1/2"
 Inlet Connection Type: Male with Supply Nut
 Inlet Supply Spread Maximum: 12"
 Inlet Supply Spread Minimum: 8"
 Number of Holes: Three Hole
 Restricted Maximum Flow Rate: 1.2 gpm
 Spout Swivel: N
 Suggested Application: Bath
 Valve Material: Ceramic
 Water Pressure Maximum: 85.0 psi
 Water Pressure Minimum: 20.0 psi
 Water Pressure Recommended: 45.0 psi

INSPIRATION

Pure, timeless, unique and versatile - sculptural organic forms meet advanced engineering in this inspiring collection of fittings, hardware and accessories.

CODES & STANDARDS

Code # ISLS25: CEC

PRODUCT FEATURES

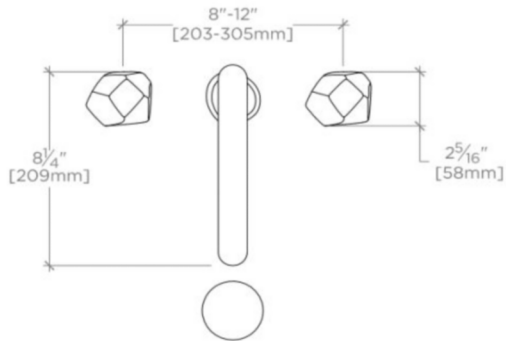
Features faceted Geode Handles
 Includes European size push touch drain
 Stocked in Nickel, Burnished Nickel, and Burnished Brass
 Available in 1.2gpm (4.5L/min) flow rate

WATERWORKS

ISLA

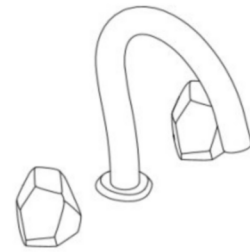
ISLS25

Isla Gooseneck Lavatory Faucet with Metal Geode Handles



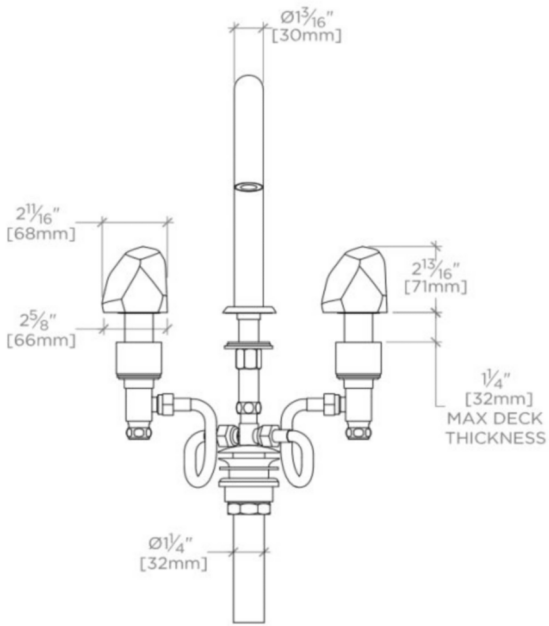
TOP VIEW

SCALE: 1/2"=1'-0"



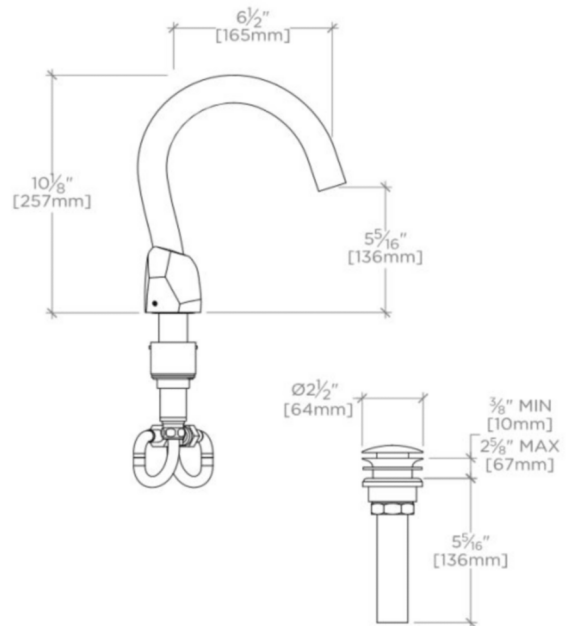
ISO VIEW

SCALE: 1/2"=1'-0"



FRONT VIEW

SCALE: 1/2"=1'-0"



SIDE VIEW

SCALE: 1/2"=1'-0"