

## HENRY

Henry Wall Mounted Lavatory Faucet with Cross Handles

## HNLS60



SHOWN IN HENRY WALL MOUNTED LAVATORY FAUCET WITH CROSS HANDLES| HNLS60

### TECHNICAL DETAILS

ADA Compliance: Yes  
Fittings Hole Diameter: 1 3/8"  
Flow Restriction Options: 1.0 , 1.2 , 1.5 , 1.75, 2.2  
Handle Spread Maximum: 8"  
Handle Spread Minimum: 8"  
Inlet Connection Size: 1/2"  
Inlet Connection Type: Female NPT  
Suggested Application: Bath  
Water Pressure Maximum: 85.0 psi  
Water Pressure Minimum: 20.0 psi  
Water Pressure Recommended: 45.0 psi

### INSPIRATION

Influenced by the connection of industry and art Henry easily transitions between modern, traditional, utilitarian and classic settings.

### CODES & STANDARDS

Code # HNLS60: CEC

### PRODUCT FEATURES

Includes European push touch style drain.

Meets or exceeds the Weighted Average Lead Requirements of 0.25%.

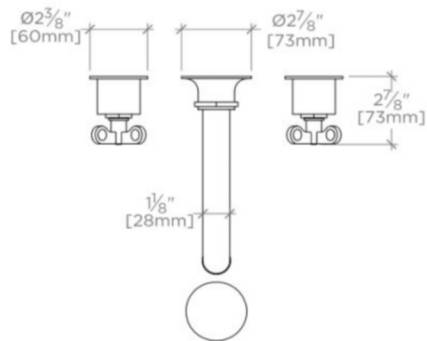
Standard flow rate is 2.2gpm (8.3 L/min) and State of California requires 1.2gpm(4.5 L/min). Also available in other flow options. Contact a sales associate for details.

# WATERWORKS

## HENRY

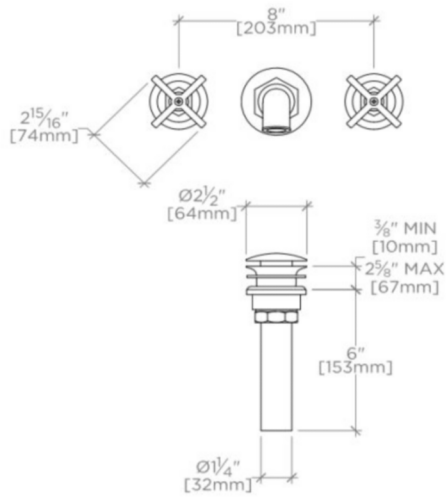
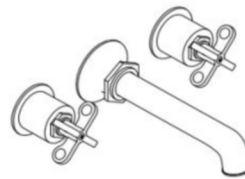
## HNLS60

Henry Wall Mounted Lavatory Faucet with Cross Handles



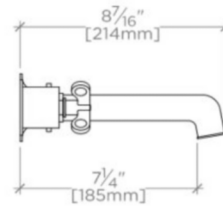
TOP VIEW

SCALE:  $1\frac{1}{2}"=1'-0"$



FRONT VIEW

SCALE:  $1\frac{1}{2}"=1'-0"$



SIDE VIEW

SCALE:  $1\frac{1}{2}"=1'-0"$

