

UNIVERSAL

Universal Tile-in Shower Drain 6" x 6"

UNSD06



TECHNICAL DETAILS

Adjustable Levelers / Feet: N
 Adjustable Shelves: N
 Bathing Type: Showering
 Drain Style: Square Tile-In
 Garbage Disposal: N
 Depth / Width: 8 3/8"
 Height: 6 7/8"
 Integrated Diverter: N
 Integrated Sensor Disk: N
 Integrated Spray: N
 Interior / Exterior Application: Interior or Exterior
 Interior Finish of Trapway: N
 Length: 8 3/8"
 Outlet Connection Size: 2"
 Outlet Connection Type: No Hub
 Pivot: N
 Primary Material: Brass
 Sink Visibility: N
 Sound Proofing: N
 Spout Swivel: N
 Spray Included in Unit: N
 Stain Resistance: N
 Suggested Application: Bath

INSPIRATION

Our Universal collection features timeless designs complementing any of our Waterworks. With a wide range of product, from fittings to accessories, Universal adds exquisite proportion and balance to any environment.

PRODUCT FEATURES

Designed to Incorporate stone or tile to match shower floor
 Solid brass construction will not rust
 Includes new Waterworks Shower Drain 2" No Hub Body
 Available in 13 Waterworks finishes



PRODUCT (NOTES)

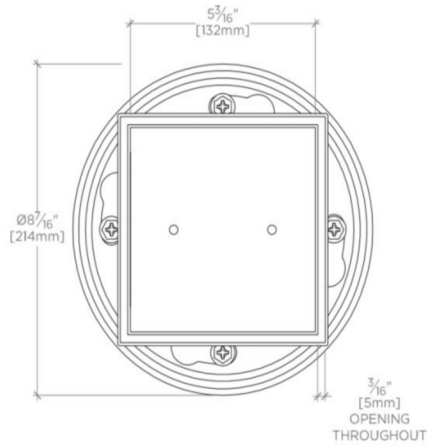
Maximum Thickness for Tile or Stone: 3/8"

WATERWORKS

UNIVERSAL

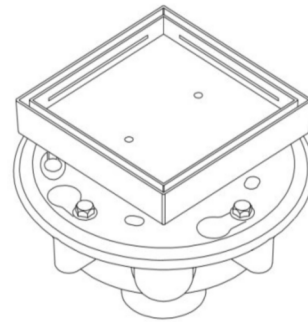
UNSD06

Universal Tile-in Shower Drain 6" x 6"



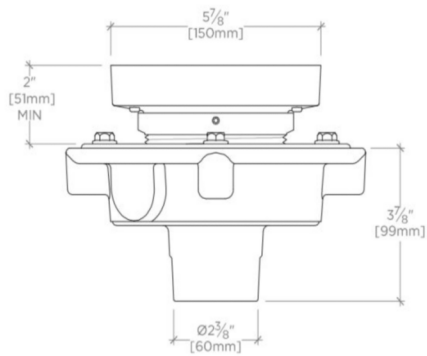
TOP VIEW

SCALE: 3"=1'-0"



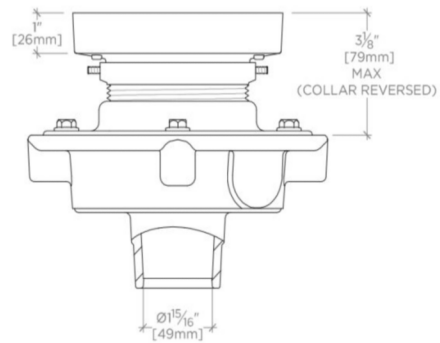
ISO VIEW

SCALE: 3"=1'-0"



FRONT VIEW

SCALE: 3"=1'-0"



SIDE VIEW

SCALE: 3"=1'-0"