

.25

PTKM10

.25 One Hole High Profile Kitchen Faucet, Metal Handle and Metal Spray



SHOWN IN .25 ONE HOLE HIGH PROFILE KITCHEN FAUCET, METAL HANDLE AND METAL SPRAY | PTKM10

TECHNICAL DETAILS

Deck Thickness Maximum: 1 3/8"
 Deck Thickness Minimum: 1/4"
 Escutcheon Primary Material: Brass
 Fittings Hole Diameter: 1 1/2"
 Flow Restriction Options: 2.2, 1.5
 Handle Turn Angle: Quarter Turn Each Way
 Handshower / Spray Hose Length: 59"
 Depth / Width: 9 1/2"
 Height: 10 13/16"
 Inlet Connection Size: 3/8"
 Inlet Connection Type: Compression Connection Adapters
 Integrated Diverter: Y
 Integrated Spray: N
 Number of Holes: Two Hole
 Primary Material: Brass
 Restricted Maximum Flow Rate: 2.2 gpm
 Spout Swivel: Y
 Spray Included in Unit: Y
 Suggested Application: Bar, Kitchen, Laundry
 Valve Material: Ceramic
 Water Pressure Maximum: 85.0 psi
 Water Pressure Minimum: 20.0 psi
 Water Pressure Recommended: 45.0 psi

INSPIRATION

.25 is the ultimate in utilitarian elegance: A simple and understated design that is equally functional and beautiful.

CODES & STANDARDS

Code # PTKM10: CEC

PRODUCT FEATURES

Single Handle Control

Ceramic cartridge provides durability and long life

Built-in Automatic Diverter for Spray Operation.

Pull Handle for volume adjustments and rotate left for hot and right for cold

Standard flow rate is 2.2gpm (8.3 L/min) and State of California requires a maximum of 1.8gpm(6.8 L/min). Also available in high efficiency flow options. Contact a sales associate for details.

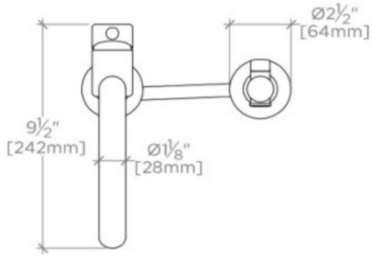
WATERWORKS

.25

PTKM10

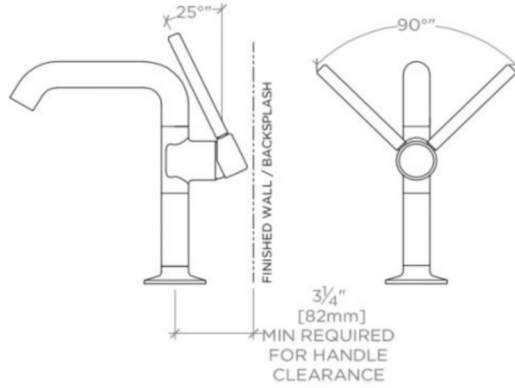
.25 One Hole High Profile Kitchen Faucet, Metal Handle and Metal Spray

NOTE: IT IS NOT RECOMMENDED TO MOUNT THE HANDLE POSITIONED TO THE SIDE, THE SPOUT WILL MAKE CONTACT WITH THE HANDLE WHEN SWIVELING. IF A SIDE MOUNTED HANDLE IS REQUIRED, PLEASE ORDER THE PTKM15.

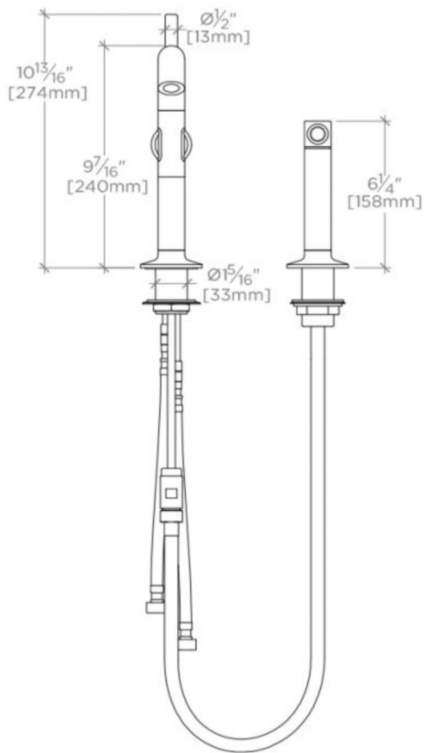


TOP VIEW

SCALE: 1/2"=1'-0"

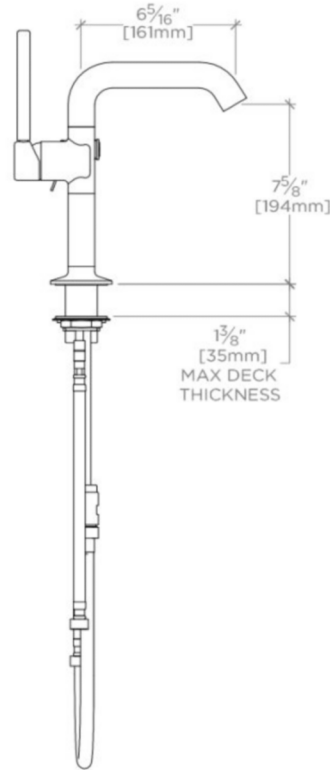


HANDLE OPERATION



FRONT VIEW

SCALE: 1/2"=1'-0"



SIDE VIEW

SCALE: 1/2"=1'-0"