

## R.W. ATLAS

## RWXS41

R.W. Atlas Exposed Thermostatic System with 8" Shower Rose, Arm, Handshower, Metal Wheel and Lever Handles



SHOWN IN R.W. ATLAS EXPOSED THERMOSTATIC SYSTEM WITH 8" SHOWER ROSE, ARM, HANDSHOWER, METAL WHEEL

### TECHNICAL DETAILS

ADA Compliance: No  
 Adjustable versus Fixed Spray: Fixed Spray  
 Diameter of Head: 8 9/16"  
 Diameter of Legs / Tubes: 1 1/8"  
 Escutcheon Primary Material: Brass  
 Fittings Hole Diameter: 1"  
 Flow Restriction Options: 2.5, 2.2, 2.0, 1.75, 1.5, 0.92  
 Handshower / Spray Hose Length: 59"  
 Depth / Width: 29 3/8"  
 Height: 79 1/8"  
 Inlet Connection Size: 3/4"  
 Inlet Connection Type: Copper Compression  
 Inlet Supply Spread Maximum: 11 3/4"  
 Inlet Supply Spread Minimum: 11 1/2"  
 Installation Type: Wall Mounted  
 Integrated Diverter: N  
 Length: 14"  
 Number of Handles: Three  
 Pivot: Y  
 Primary Material: Brass  
 Spray Included in Unit: N  
 Suggested Application: Bath  
 Valve Material: Bi-metal Strip  
 Water Pressure Maximum: 85.0 psi  
 Water Pressure Minimum: 20.0 psi  
 Water Pressure Recommended: 45.0 psi

### INSPIRATION

Powerful shapes, genuine materials and unique aesthetic details. The original, impeccable vision of R.W. Atlas pairs American ingenuity with European craftsmanship.

### CODES & STANDARDS

Code # RWXS40: Complies with ASME A112.18.1/CSA B125.1, ADA and 0.25% Weighted Average Lead Content. Certified with IAPMO, cUPC, and State of MA.

### PRODUCT FEATURES

Built in Anti-scald protection.

Stocked in 2.5gpm (9.5 L/min) and 1.75gpm (6.6 L/min). State of California requires 1.75gpm (6.6 L/min) to comply with their water conservation requirements. Other flow options are available to order, contact your sales associate or call 1 (800) 899-6757 for details.

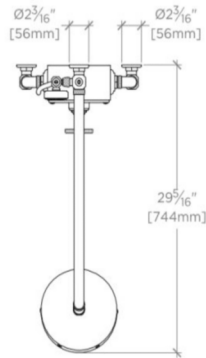


# WATERWORKS

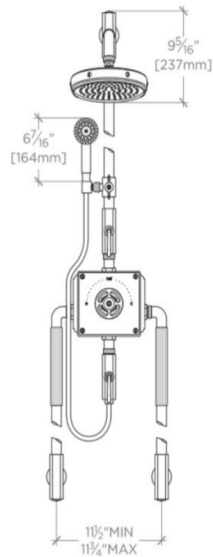
## R.W. ATLAS

RWXS41

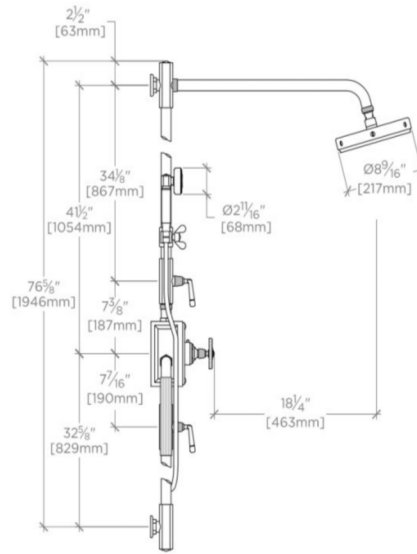
R.W. Atlas Exposed Thermostatic System with 8" Shower Rose, Arm, Handshower, Metal Wheel and Lever Handles



TOP VIEW SCALE: 3/4"=1'-0"



FRONT VIEW SCALE: 3/4"=1'-0"



SIDE VIEW SCALE: 3/4"=1'-0"