

HENRY

HN10KM

Henry One Hole Gooseneck Kitchen Faucet, Metal Lever Handles and Spray



SHOWN IN NICKEL

TECHNICAL DETAILS

ADA Compliance: Yes
Adjustable versus Fixed Spray: Fixed Spray
Deck Thickness Maximum: 1 5/8"
Deck Thickness Minimum: 1/4"
Escutcheon Primary Material: Brass
Fittings Hole Diameter: 1 1/2"
Flow Restriction Options: 2.0, 1.75, 1.5
Handle Turn Angle: Quarter Turn Each Way
Handshower / Spray Hose Length: 49"
Depth / Width: 11 3/4"
Height: 14 5/8"
Inlet Connection Size: 3/8"
Inlet Connection Type: Female G/BSPP
Integrated Diverter: N
Length: 11 3/4"
Number of Handles: One
Number of Holes: One Hole
Primary Material: Brass
Restricted Maximum Flow Rate: 2.2 gpm
Spout Reach: 9 5/8"
Spout Swivel: N
Spray Included in Unit: N
Suggested Application: Bar, Kitchen, Laundry
Valve Material: Ceramic
Water Pressure Maximum: 80.0 psi
Water Pressure Minimum: 20.0 psi
Water Pressure Recommended: 45.0 psi

INSPIRATION

Influenced by the connection of industry and art Henry easily transitions between modern, traditional, utilitarian and classic settings.

PRODUCT FEATURES

The stately single hole fitting stands on a tall well formed pillar with a tapered lever handle. Practical as well a beautiful, this fitting has a hand spray for washing vegetables, rinsing the sink or cleaning pots.

Brass material is used for components.

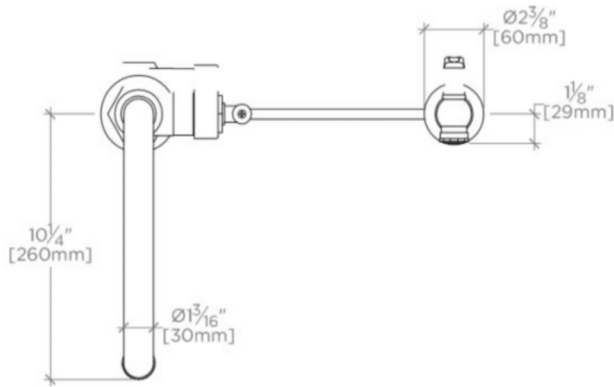
Standard flow rate is 2.2gpm (8.3 L/min). Also available in high efficiency flow options. Contact your sales associate or call 1 (800) 899-6757 for details.

WATERWORKS

HENRY

HN10KM

Henry One Hole Gooseneck Kitchen Faucet, Metal Lever Handles and Spray



TOP VIEW

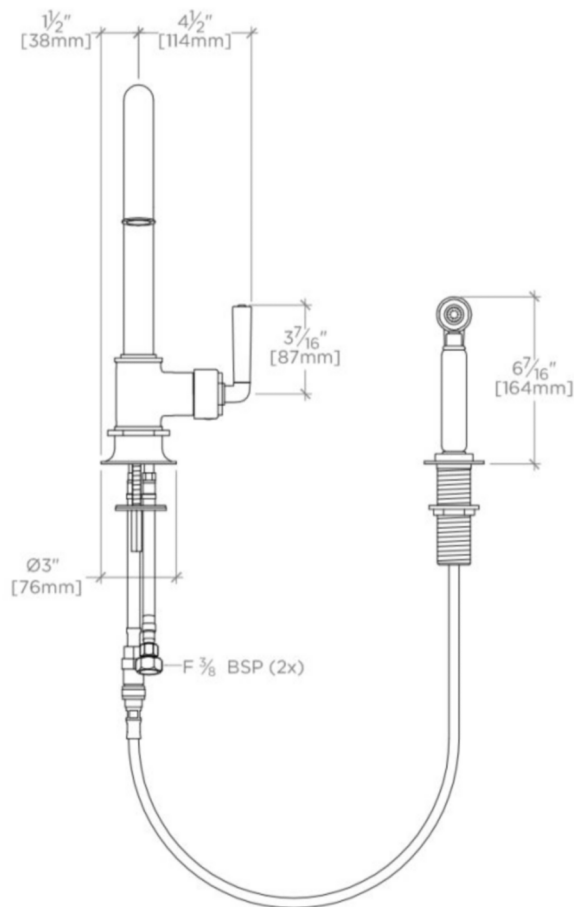
SCALE: 1 1/2"=1'-0"

ADAPTER(S) PACKAGED SEPARATELY		
ADAPTER	DESCRIPTION	QTY
UNUK08	1/16"-24 UNEF Male x 3/8" Female BSP in Nickel	2



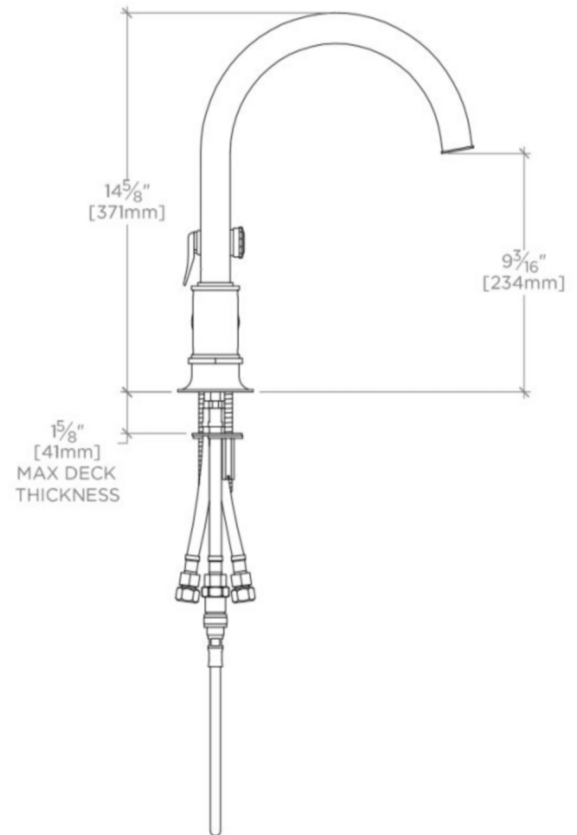
ISO VIEW

SCALE: 1 1/2"=1'-0"



FRONT VIEW

SCALE: 1 1/2"=1'-0"



SIDE VIEW

SCALE: 1 1/2"=1'-0"