

FORMWORK

FMXT70

Formwork Floor Mounted Exposed Tub Filler with Metal Joystick Handle



SHOWN IN FORMWORK FLOOR MOUNTED EXPOSED TUB FILLER WITH METAL JOYSTICK HANDLE | FMXT70

TECHNICAL DETAILS

Adjustable Shelves: N
 Adjustable versus Fixed Spray: Fixed Spray
 Escutcheon Primary Material: Brass
 Fittings Hole Diameter: 3 7/8"
 Handle Turn Angle: Quarter Turn Each Way
 Depth / Width: 11 7/8"
 Height: 39 5/8"
 Index Marking: H/C
 Inlet Connection Size: 1/2"
 Inlet Connection Type: Female NPT
 Installation Type: Freestanding
 Integrated Diverter: N
 Integrated Spray: N
 Length: 4 1/16"
 Number of Handles: One
 Number of Holes: One Hole
 Pivot: N
 Primary Material: Brass
 Restricted Maximum Flow Rate: 2.5 gpm
 Spout Swivel: N
 Spray Included in Unit: N
 Suggested Application: Bath
 Valve Material: Ceramic
 Water Pressure Maximum: 85.0 psi
 Water Pressure Minimum: 20.0 psi
 Water Pressure Recommended: 45.0 psi

INSPIRATION

Sculptural forms that defy the ordinary. Unexpected geometry and the transition of the planes create a subtle but warm expression.

CODES & STANDARDS

Code # FMXT70X: Certified with cUPC, NSF, IAPMO, CSA

PRODUCT FEATURES

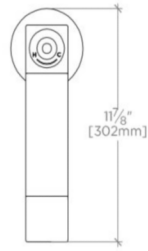
Joystick Handle allows for easy, one-handed operation
 Unrestricted (spout) water flow of approximately 8-10 gallons per minute (gpm)



FORMWORK

FMXT70

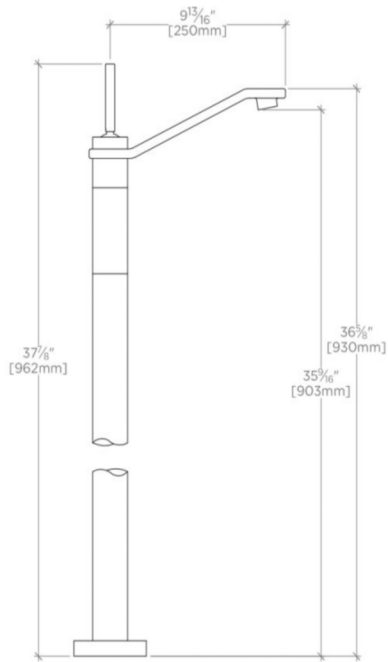
Formwork Floor Mounted Exposed Tub Filler with Metal Joystick Handle



TOP VIEW SCALE: 1/2"=1'-0"



FRONT VIEW SCALE: 1/2"=1'-0"



SIDE VIEW SCALE: 1/2"=1'-0"