

FORMWORK

FMLS01

Formwork Low Profile Three Hole Deck Mounted Lavatory Faucet with Metal Knob Handles



SHOWN IN FORMWORK LOW PROFILE THREE HOLE DECK MOUNTED LAVATORY FAUCET WITH METAL KNOB HANDLES]

TECHNICAL DETAILS

Adjustable Shelves: N
 Deck Thickness Maximum: 2"
 Deck Thickness Minimum: 3/8"
 Drain Depth Maximum: 1 3/4"
 Drain Hole Diameter: 1 3/4"
 Drain Style: Push Touch
 Escutcheon Primary Material: Brass
 Fittings Hole Diameter: 1 3/8"
 Flow Restriction Options: 1.0, 1.2, 1.5, 1.75, 2.2
 Handle Spread Maximum: 12"
 Handle Spread Minimum: 8"
 Handle Turn Angle: Quarter Turn
 Depth / Width: 7 7/8"
 Drain Depth Minimum: 1 3/8"
 Height: 2 9/16"
 Inlet Connection Size: 1/2"
 Inlet Connection Type: Male with Supply Nut
 Inlet Supply Spread Maximum: 12"
 Inlet Supply Spread Minimum: 8"
 Installation Type: Deck Mounted
 Length: 11 3/8"
 Number of Handles: Two
 Number of Holes: Three Hole
 Primary Material: Brass
 Spout Swivel: N
 Suggested Application: Bath
 Valve Material: Ceramic
 Water Pressure Maximum: 85.0 psi
 Water Pressure Minimum: 20.0 psi
 Water Pressure Recommended: 45.0 psi

INSPIRATION

Sculptural forms that defy the ordinary. Unexpected geometry and the transition of the planes create a subtle but warm expression.

CODES & STANDARDS

Code # FMLS01X: Certified with cUPC, NSF, CEC, IAPMO, CSA

PRODUCT FEATURES

Knob Handles
 Modern Push-Touch Euro style drain included.
 Available in 1.2gpm (4.5L/min) flow rate

CERTIFICATIONS

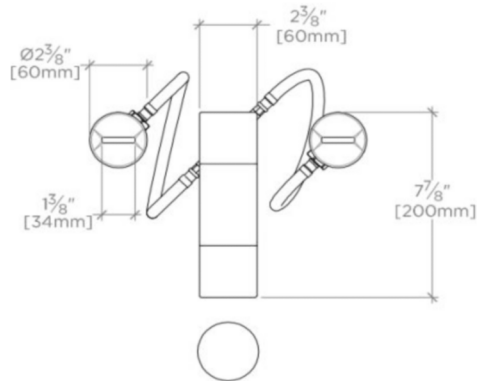


WATERWORKS

FORMWORK

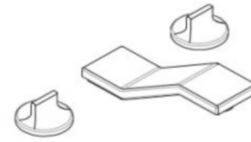
FMLS01

Formwork Low Profile Three Hole Deck Mounted Lavatory Faucet with Metal Knob Handles



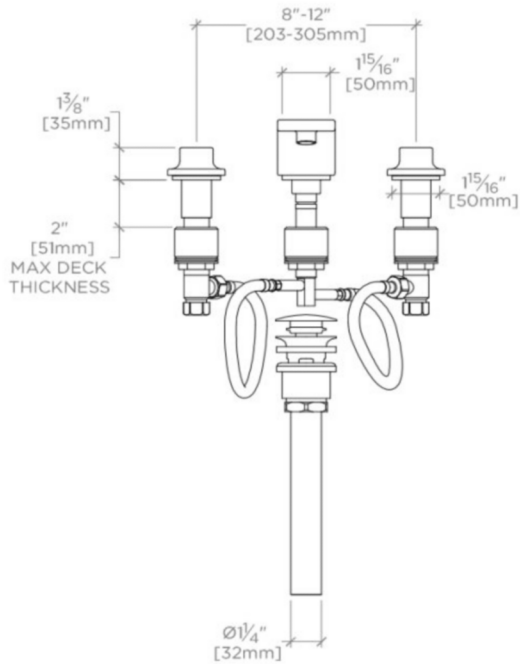
TOP VIEW

SCALE: 1/2"=1'-0"



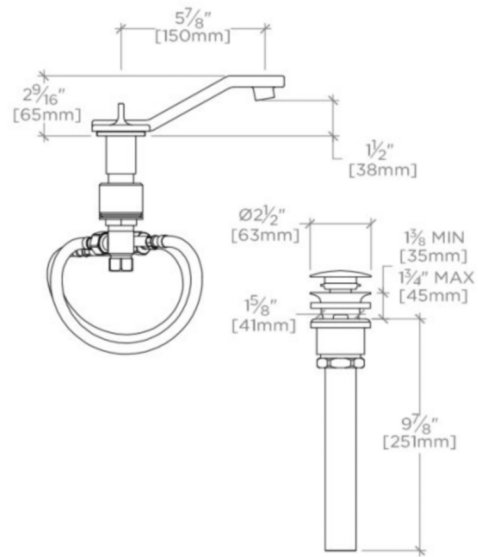
ISO VIEW

SCALE: 1/2"=1'-0"



FRONT VIEW

SCALE: 1/2"=1'-0"



SIDE VIEW

SCALE: 1/2"=1'-0"