

BOULEVARD

BDTF87

Boulevard Low Profile Concealed Tub Filler With Handshower and Metal Cross Handles



SHOWN IN NICKEL

TECHNICAL DETAILS

ADA Compliance: No
 Adjustable versus Fixed Spray: Fixed Spray
 Deck Thickness Maximum: 1 11/16"
 Deck Thickness Minimum: 0"
 Diameter of Head: 2"
 Escutcheon Primary Material: Brass
 Fittings Hole Diameter: 1 3/8"
 Flow Restriction Options: 2.0, 1.75, 1.5, 0.92
 Handle Spread Maximum: 12"
 Handle Spread Minimum: 10"
 Handle Turn Angle: Quarter Turn
 Handshower / Spray Hose Length: 79"
 Depth / Width: 11"
 Height: 6"
 Index Marking: Blank
 Inlet Connection Size: 3/4"
 Inlet Connection Type: Male NPT Adapter
 Inlet Supply Spread Maximum: 12"
 Inlet Supply Spread Minimum: 10"
 Installation Type: Deck Mounted
 Integrated Diverter: N
 Length: 13"
 Number of Handles: Two
 Number of Holes: Four Hole
 Pivot: N
 Primary Material: Brass
 Restricted Maximum Flow Rate: 2.5 gpm
 Spout Reach: 9"
 Spout Swivel: N
 Suggested Application: Bath
 Valve Material: ceramic
 Water Pressure Maximum: 85.0 psi
 Water Pressure Minimum: 20.0 psi
 Water Pressure Recommended: 45.0 psi

INSPIRATION

Drawing inspiration from found objects of the 1930's, Boulevard evokes a spirit of extravagance, exuding a strong silhouette, lavish scale, and elegant decoration. The crisp detail and repeated curves require both machine and the artisan hands.

CODES & STANDARDS

Code # BDTU87: ASME A112.18.1, CSA B125, IAPMO, State of MA

PRODUCT FEATURES

Brass metal is used for all trim and valve components.

The manufacturing process encompasses casting, turning, forging, hand-fitting and hand polishing.

Solidly sized and generous in scale, decorative elements convey a sense of substance.

Standard flow rate is 2.5gpm for handshower only. Also available in high efficient flow options.

Contact your sales associate or call 1 (800) 899-6757 for details.

CERTIFICATIONS

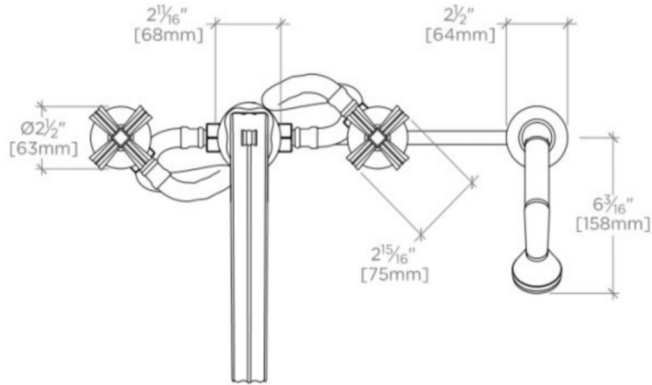


WATERWORKS

BOULEVARD

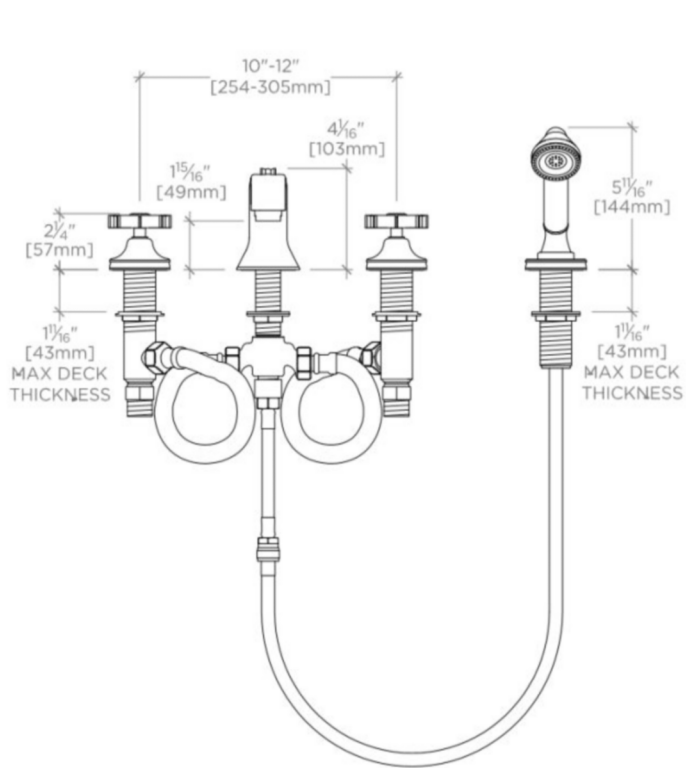
BDTF87

Boulevard Low Profile Concealed Tub Filler With Handshower and Metal Cross Handles



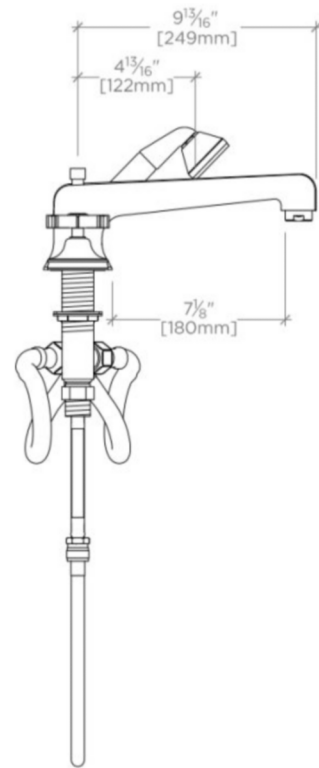
TOP VIEW

SCALE: 1½"=1'-0"



FRONT VIEW

SCALE: 1½"=1'-0"



SIDE VIEW

SCALE: 1½"=1'-0"