

BOULEVARD

BDLS01

Boulevard Low Profile Three Hole Deck Mounted Lavatory Faucet with Metal Cross Handles



SHOWN IN BOULEVARD LOW PROFILE THREE HOLE DECK MOUNTED LAVATORY FAUCET WITH METAL CROSS HANDLES

TECHNICAL DETAILS

ADA Compliance: Yes
 Adjustable versus Fixed Spray: Fixed Spray
 Deck Thickness Maximum: 1 1/2"
 Deck Thickness Minimum: 0"
 Drain Assembly Materials: Brass
 Drain Depth Maximum: 1 3/4"
 Drain Hole Diameter: 1 3/4"
 Drain Style: Pop-up
 Escutcheon Primary Material: Brass
 Fittings Hole Diameter: 1 1/4"
 Handle Spread Maximum: 12"
 Handle Spread Minimum: 8"
 Handle Turn Angle: Quarter Turn
 Depth / Width: 7 1/2"
 Drain Depth Minimum: 1 3/8"
 Height: 2 1/2"
 Inlet Connection Size: 1/2"
 Inlet Connection Type: Male with Supply Nut
 Inlet Supply Spread Maximum: 12"
 Inlet Supply Spread Minimum: 8"
 Length: 14 1/4"
 Number of Holes: Three Hole
 Primary Material: Brass
 Restricted Maximum Flow Rate: 1.2 gpm
 Spout Swivel: N
 Suggested Application: Bath
 Valve Material: Ceramic
 Water Pressure Maximum: 85.0 psi
 Water Pressure Minimum: 20.0 psi
 Water Pressure Recommended: 45.0 psi

INSPIRATION

Inspiration from 1930s objects evokes extravagance: a strong silhouette, lavish scale and elegant decoration. Machine and artisan hands yield crisp details and curves.

CODES & STANDARDS

Code # BDLS01: Complies with ASME A112.18.1/CSA B125.1, ASME A112.18.2 / CSA B125.2, NSF 61, NSF 372, CEC, ADA and 0.25% Weighted Average Lead Content. Certified with IAPMO, cUPC, NSF, CEC, DOE and State of MA.

PRODUCT FEATURES

Metal cross handles
 Includes European size pop up drain
 Solidly sized and generous in scale, decorative elements convey a sense of substance
 Stocked in Nickel and Unlacquered Brass
 Available in 1.2gpm (4.5L/min) flow rate

CERTIFICATIONS



PRODUCT (NOTES)

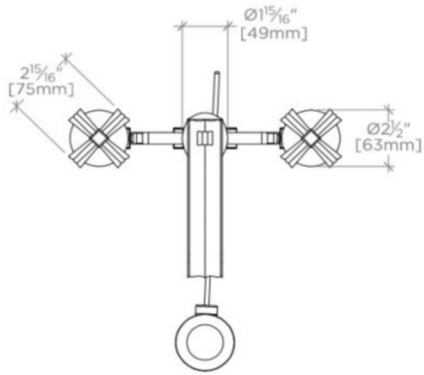
Sold with European style drain; USA style drain sold separately for use with non-Waterworks sinks.

WATERWORKS

BOULEVARD

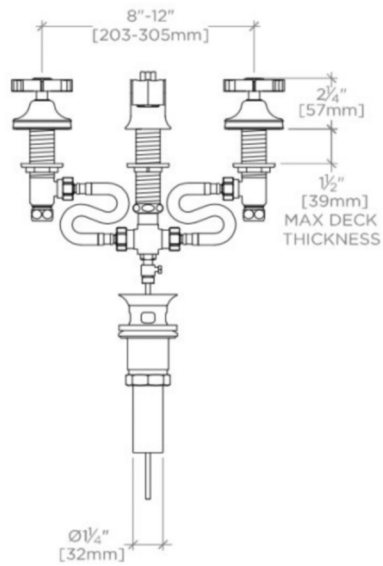
BDLS01

Boulevard Low Profile Three Hole Deck Mounted Lavatory Faucet with Metal Cross Handles



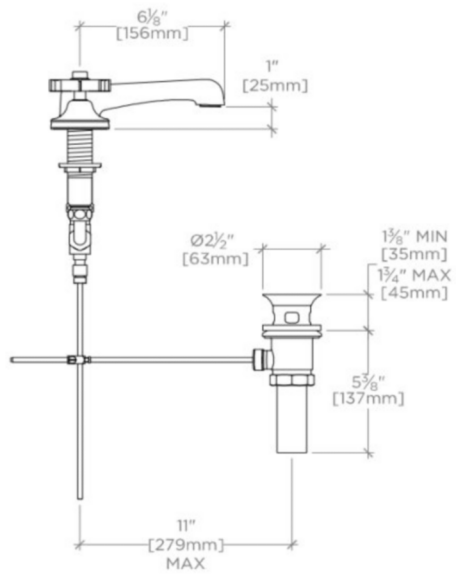
TOP VIEW

SCALE: $1\frac{1}{2}"=1'-0"$



FRONT VIEW

SCALE: $1\frac{1}{2}"=1'-0"$



SIDE VIEW

SCALE: $1\frac{1}{2}"=1'-0"$