

WATERWORKS

R.W. ATLAS

RWWS01

R.W. Atlas Metal Two Leg Single Washstand 40" x 23" x 31 3/4"



TECHNICAL DETAILS

ADA Compliance: No
Adjustable Levelers / Feet: N
Diameter of Legs / Tubes: 1 1/2"
Depth / Width: 23"
Height: 31 3/4"
Installation Type: Wall Mounted
Leg Material: Metal
Length: 40"
Number of Legs: Two
Primary Material: Brass
Rough-in Supply Height Recommended: 19"
Rough-in Waste Height Recommended: 21"
Sink Visibility: N
Suggested Application: Bath
Top Attachment Method: Silicone

INSPIRATION

Powerful shapes, genuine materials and unique aesthetic details. The original, impeccable vision of R.W. Atlas pairs American ingenuity with European craftsmanship.

PRODUCT FEATURES

Knurled and chamfered leg details are a few of the aesthetic elements that make up this unique, industrial-inspired construction

Stocked in Nickel, Burnished Nickel and Unlacquered Brass only

Custom options available



PRODUCT (NOTES)

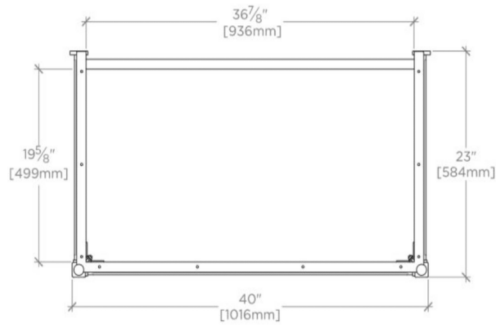
Slab countertop and sink sold separately from washstand? custom options available

WATERWORKS

R.W. ATLAS

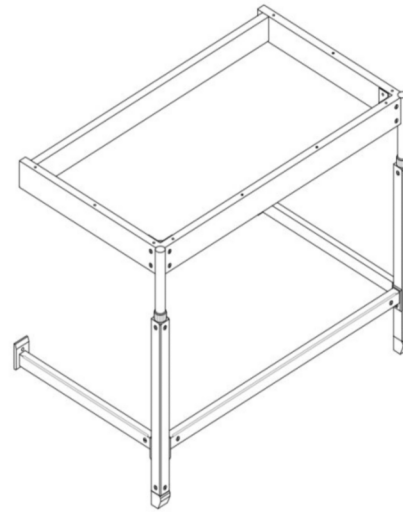
RWWS01

R.W. Atlas Metal Two Leg Single Washstand 40" x 23" x 31 3/4"



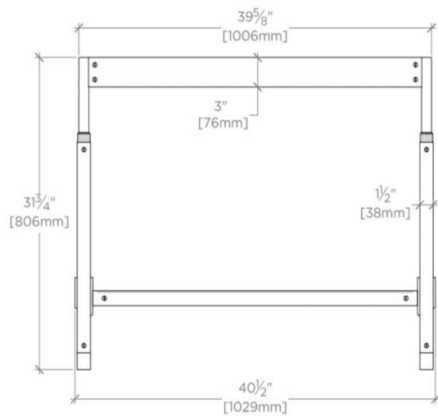
TOP VIEW

SCALE: $\frac{3}{4}$ "=1'-0"



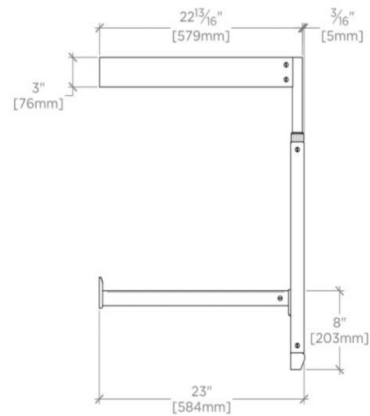
ISO VIEW

SCALE: $\frac{3}{4}$ "=1'-0"



FRONT VIEW

SCALE: $\frac{3}{4}$ "=1'-0"



SIDE VIEW

SCALE: $\frac{3}{4}$ "=1'-0"