

## HENRY

HTF101

Henry Concealed Tub Filler with Handshower and Cross Handles



SHOWN IN HENRY CONCEALED TUB FILLER WITH HANDSHOWER AND CROSS HANDLES | HTF101

### TECHNICAL DETAILS

Deck Thickness Maximum: 2 1/8"  
Deck Thickness Minimum: 1/2"  
Fittings Hole Diameter: 1 3/8"  
Handle Spread Minimum: 8"  
Handle Turn Angle: Quarter Turn  
Handshower Spray Hose Length: 60"  
Inlet Connection Size: 3/4"  
Inlet Connection Type: Male NPT  
Integrated Diverter: Y  
Number Of Holes: Four Hole  
Primary Material: Brass  
Restricted Maximum Flow Rate: 1.75 gpm  
Spout Swivel: N  
Spray Included In Unit: Y  
Valve Material: Brass and Ceramic  
Water Pressure Maximum: 85.0 psi  
Water Pressure Minimum: 20.0 psi  
Water Pressure Recommended: 45.0 psi

### INSPIRATION

Influenced by the connection of industry and art Henry easily transitions between modern, traditional, utilitarian and classic settings.

### CODES & STANDARDS

### PRODUCT FEATURES

Features All Metal Cross Handles

Solid Brass Construction

Diverter Knob Allows Bather to Move Water From Spout to Handshower

Stocked in Brass, Chrome, Nickel, Dark Nickel

Unrestricted Flow for Tub Spout. Handshower Available in 1.75gpm (4.5L/min) Flow Rate

### CERTIFICATIONS

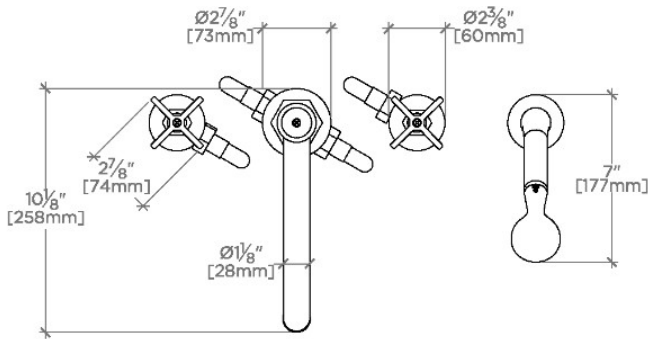
### PRODUCT (NOTES)

# WATERWORKS

## HENRY

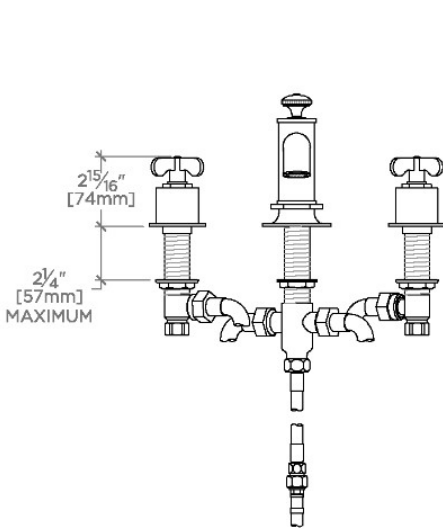
HTF101

Henry Concealed Tub Filler with Handshower and Cross Handles



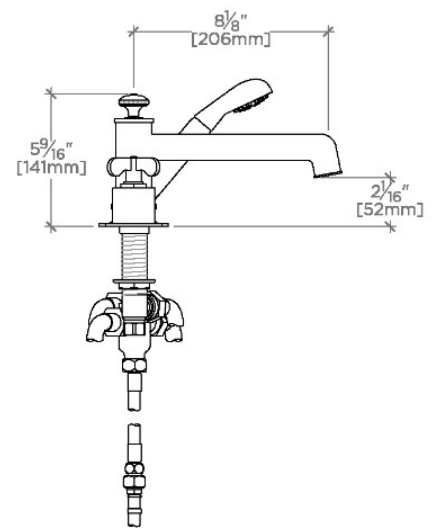
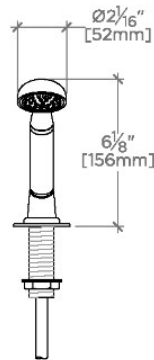
TOP VIEW

SCALE: 1½"=1'-0"



FRONT VIEW

SCALE: 1½"=1'-0"



SIDE VIEW

SCALE: 1½"=1'-0"