

## HENRY

## HXT201

Henry Exposed Deck Mounted Tub Filler With Handshower and Cross Handles



SHOWN IN HENRY EXPOSED DECK MOUNTED TUB FILLER WITH HANDSHOWER AND CROSS HANDLES | HXT201

### TECHNICAL DETAILS

ADA Compliance: No  
Deck Thickness Maximum: 1 13/16"  
Deck Thickness Minimum: 1/4"  
Fittings Hole Diameter: 1 3/8"  
Handle Spread Maximum: 8"  
Handle Spread Minimum: 8"  
Handle Turn Angle: Quarter Turn  
Handshower Spray Hose Length: 60"  
Inlet Connection Size: 3/4"  
Inlet Connection Type: Male NPT and Male BSPP  
Inlet Supply Spread Maximum: 8"  
Inlet Supply Spread Minimum: 8"  
Integrated Diverter: Y  
Number Of Holes: Two Hole  
Pivot: Y  
Primary Material: Brass  
Restricted Maximum Flow Rate: 1.75 gpm  
Spout Swivel: N  
Spray Included In Unit: Y  
Valve Material: Brass and Ceramic  
Water Pressure Maximum: 85.0 psi  
Water Pressure Minimum: 20.0 psi  
Water Pressure Recommended: 45.0 psi

### INSPIRATION

Influenced by the connection of industry and art Henry easily transitions between modern, traditional, utilitarian and classic settings.

### CODES & STANDARDS

### PRODUCT FEATURES

### CERTIFICATIONS

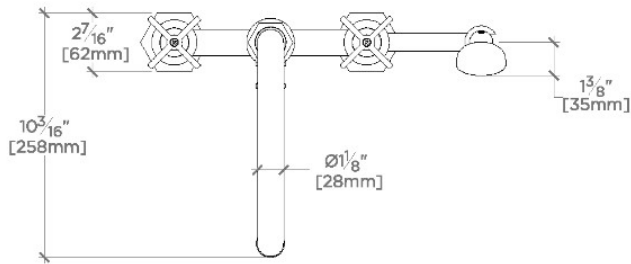
### PRODUCT (NOTES)

# WATERWORKS

## HENRY

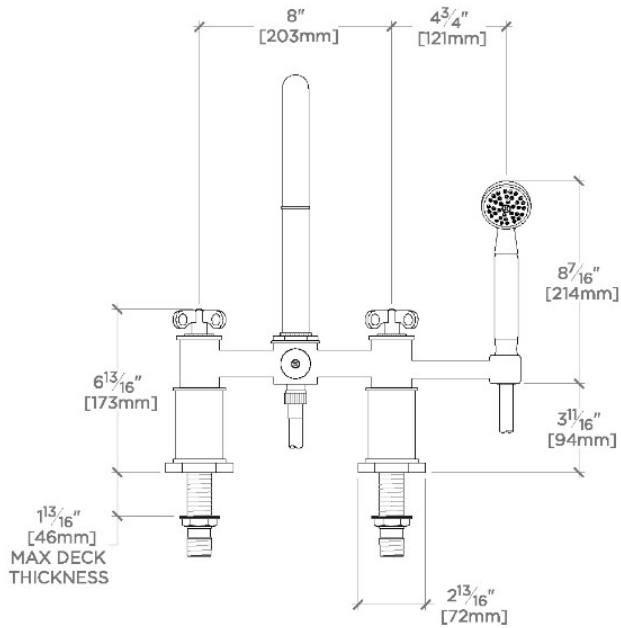
HXT201

Henry Exposed Deck Mounted Tub Filler With Handshower and Cross Handles



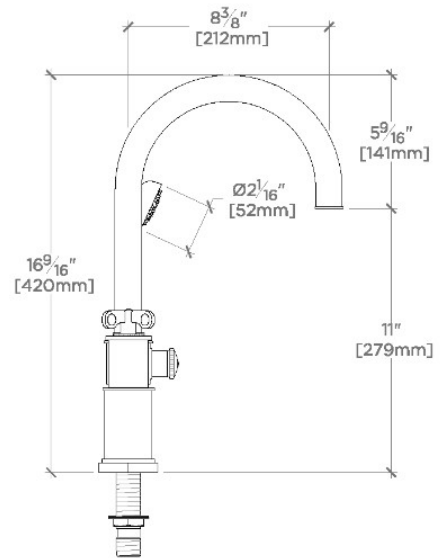
TOP VIEW

SCALE:  $1\frac{1}{2}''=1'-0''$



FRONT VIEW

SCALE:  $1\frac{1}{2}''=1'-0''$



SIDE VIEW

SCALE:  $1\frac{1}{2}''=1'-0''$