

DORIA

DOLV30

Doria Rectangular Wall Mounted Marble Lavatory Sink 30" x 16" x 6" with 30" x 9" x 3/4"



SHOWN IN DORIA RECTANGULAR WALL MOUNTED MARBLE LAVATORY SINK 30" X 16" X 6" WITH 30" X 9" X 3/4" | DOLV30

TECHNICAL DETAILS

INSPIRATION

Carved from a single block of Bardiglio (light with exquisite gray veining) or Nero Marquina (for a rich, moody look), Doria is a timeless classic. The design features curved lines and radiused corners for softness, while the included 9-inch backsplash adds height and drama.

CODES & STANDARDS

PRODUCT FEATURES

Designed by and exclusive to Waterworks

Sourced and made in Italy

Carved from a solid block of stone

Backsplash designed for wall mounted faucet and handles

Required Drain: UNLD23

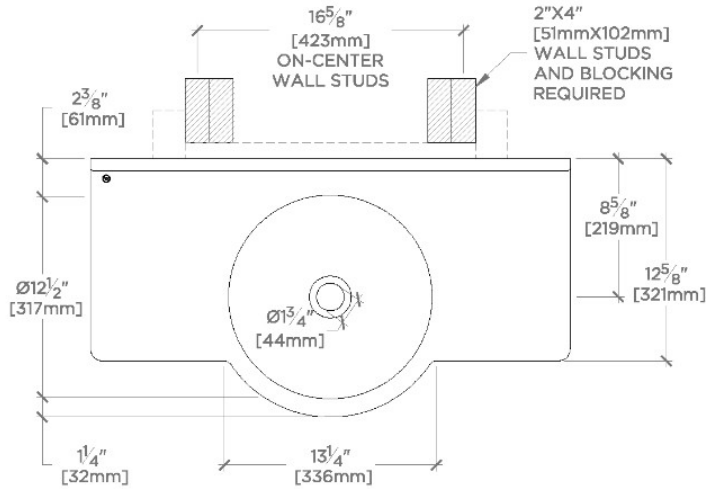
CERTIFICATIONS

PRODUCT (NOTES)

DORIA

DOLV30

Doria Rectangular Wall Mounted Marble Lavatory Sink 30" x 16" x 6" with 30" x 9" x 3/4"



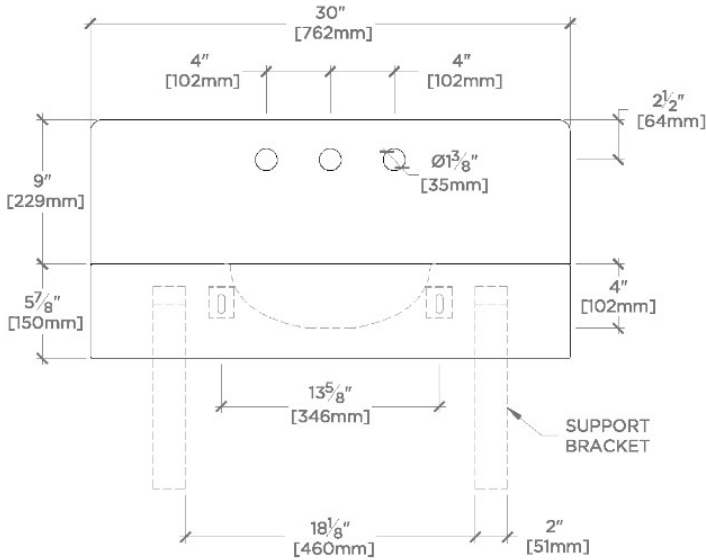
TOP VIEW

SCALE: 1"=1'-0"

REQUIRED MOUNTING HARDWARE (SOLD SEPARATELY)

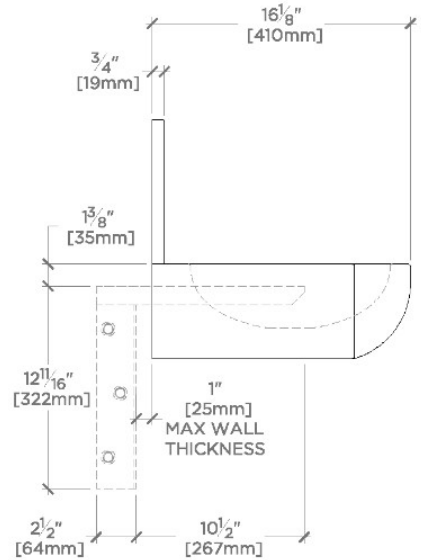
STYLE: 100487

DESCRIPTION: UNIVERSAL PAIR (L/R) 13" STAINLESS STEEL CONCEALED SUPPORT BRACKETS, WALL SUPPORT BRACKETS AND HARDWARE FOR WALL MOUNTED STONE SINK



FRONT VIEW

SCALE: 1"=1'-0"



SIDE VIEW

SCALE: 1"=1'-0"