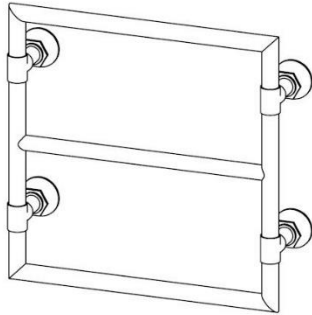


WATERWORKS INSTALLATION GUIDELINES

STYLE No. HNTW03 & HN03TW

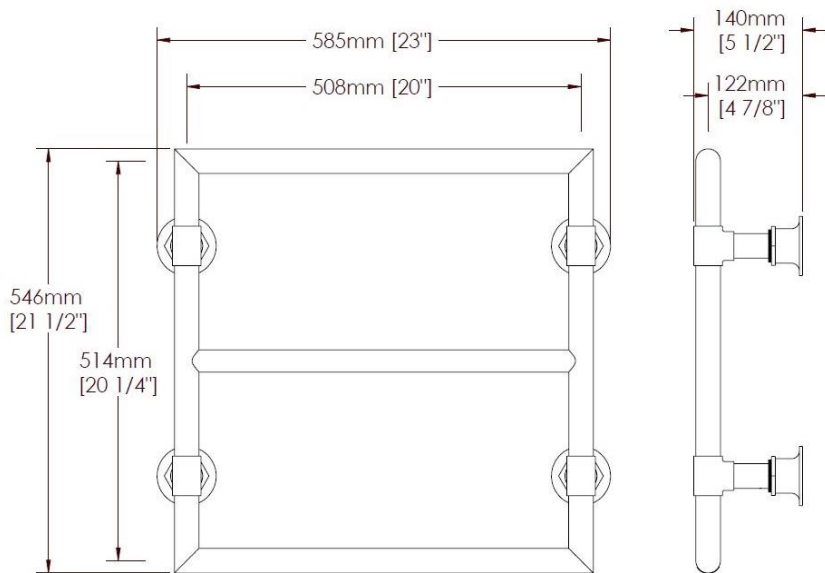
Henry Multi Rail Towel Warmer

23" x 21 1/2" x 5 1/2"



IMPORTANT:

- To ensure this product is installed properly, you must read and follow these guidelines.
- The owner/user of this product must keep this information for future reference.
- Install adequate blocking or position over a stud to properly secure the fixture.
- Inspect this product, upon receiving, to ensure it is the correct model and you have all parts required for proper installation.
- This product must be installed by a professional licensed contractor. Be sure your installation conforms to all federal, state, and local codes.
- Take all necessary precautions to ensure that this product is protected during installation.

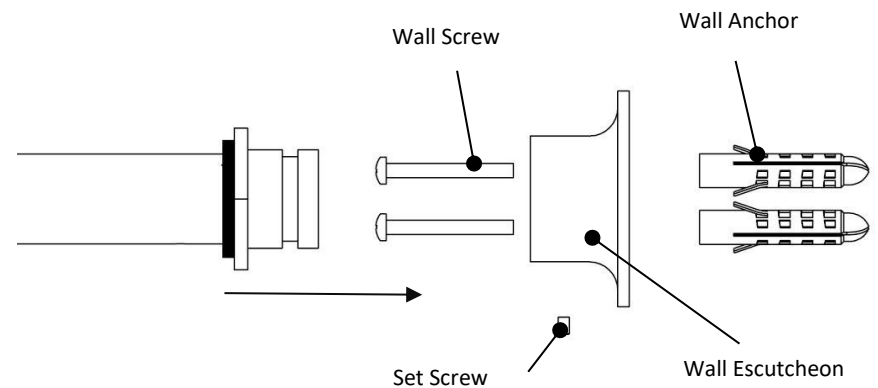


TECHNICAL DETAILS:

DETAIL	SPECIFICATION
DIAMETER OF TUBES	1 1/4" [32mm]
PRIMARY MATERIAL	Brass
WEIGHT	14lbs [6KG]
APPROXIMATE POWER OUTPUT	60W
IP RATING	IP67
APPROXIMATE TEMPERATURE (AT NORMAL ROOM TEMP)	110 °F [45°C]
STANDARD CABLE LENGTH	8Ft [2.4m]
VOLTAGE [ETW003 / E003TW]	110V / 230V

Method of Installation

1. Remove the Wall Escutcheon from the Rail by removing the set screw underneath.
2. Drill holes for the Wall Screw / Wall Plug at the appropriate centers. Check they are level using a spirit level.
3. After feeding the earth cable and power cable through the wall, push the Rail into Wall Escutcheon and secure with the set screws. CARE SHOULD BE TAKEN not to scratch the towel warmer with the hex key.
4. Commence making the electrical connections to the switch/dimmer/timer. Recommended to be on a GFCI Circuit (USA), refer to local regulations.
5. Test by turning on the power and check the temperature after 1 hour.

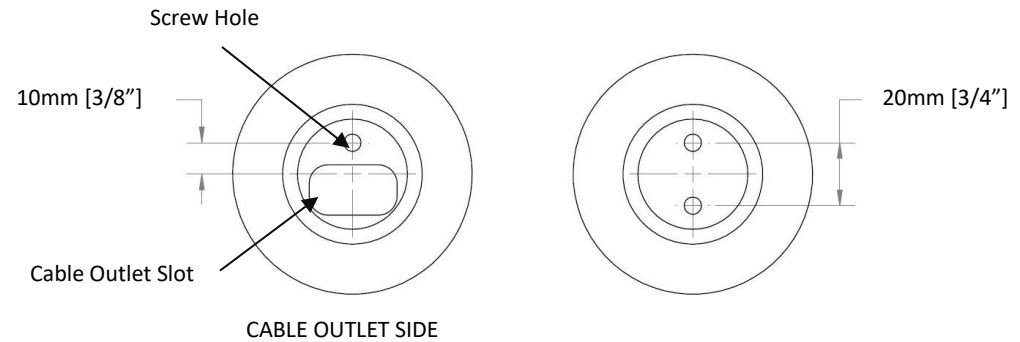
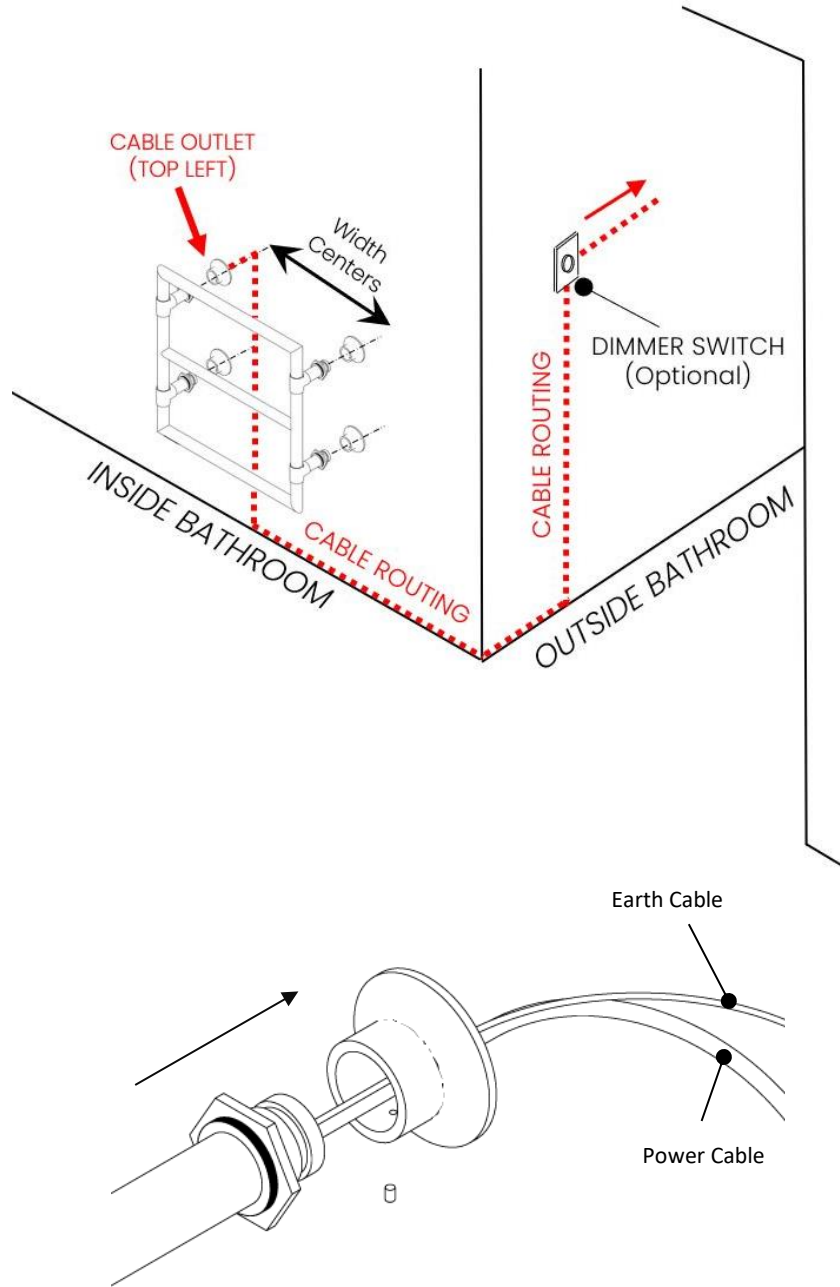


WATERWORKS INSTALLATION GUIDELINES

STYLE No. HNTW03 & HN03TW

Henry Multi Rail Towel Warmer

23" x 21 1/2" x 5 1/2"



POSITIONING:

The towel warmer is IP67 rated (as supplied) and if installed in-line with these guidelines is suitable for all areas (Zone 1 & 2) of the bathroom. Measure the center distances of the towel warmer for the correct position. Mark where all fixing holes are situated and drill for the wall plugs.

ELECTRICAL CONNECTIONS:

The towel warmer Power Cable should be routed through the wall to the domestic power supply which should be outside the bathroom (please refer to local building regulations).

CABLE ROUTING:

To maintain the IP67 protection, DO NOT cut the electric cable short to make the connection to the power supply within the bathroom. Feed the continuous cable through the wall and/or floor/ceiling cavity to make the final connection at the power supply outside of the bathroom.

SAFETY NOTE:

The Power Cable should remain continuous to the power supply and not cut short to connect to 'First Fix' cabling already inside the bathroom unless measures are taken to keep the connections free from moisture. PULLING THE CABLE could damage the heating element. It is the installers responsibility to ensure the correct voltage is connected and provide the transformer where required.

FOR MULTIPLE RAIL INSTALLATION:

Due to the low power rating, the electric towel warmers can be connected to the same fused spur, it is advisable to join the cables in an accessible junction box for any future servicing requirements, before feeding a common cable to the Dimmer Switch or Fused Spur.