

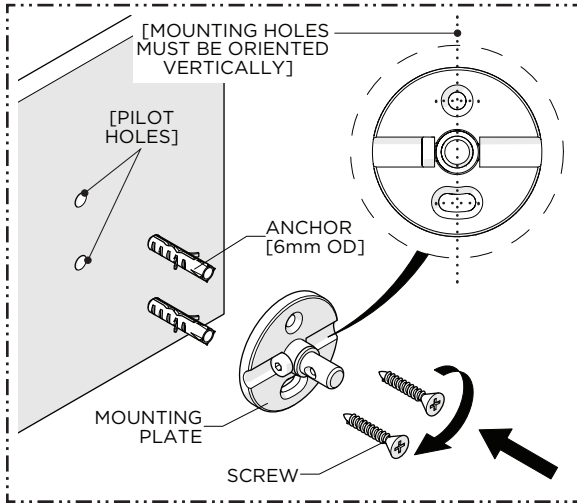
WATERWORKS INSTALLATION GUIDELINES

IMPORTANT:

- To ensure this product is installed properly, you must read and follow these guidelines.
- The owner/user of this product must keep this information for future reference.
- This product must be installed by a professional licensed contractor. Inspect this product to ensure you have all the parts required for proper installation.
- DRYWALL ANCHORS for a typical drywall installation are provided. Do **NOT** use the ANCHORS if mounting directly onto wood blocking or a stud.
- If further assistance is required, please contact Product Support at 1-800-927-2120 Monday through Friday, 8am - 6pm EST.
- Refer to the separate Service Parts Documents for available replacement parts.

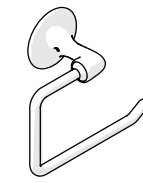
TECHNICAL DETAILS:

DETAIL	SPECIFICATION
PRIMARY MATERIAL	BRASS

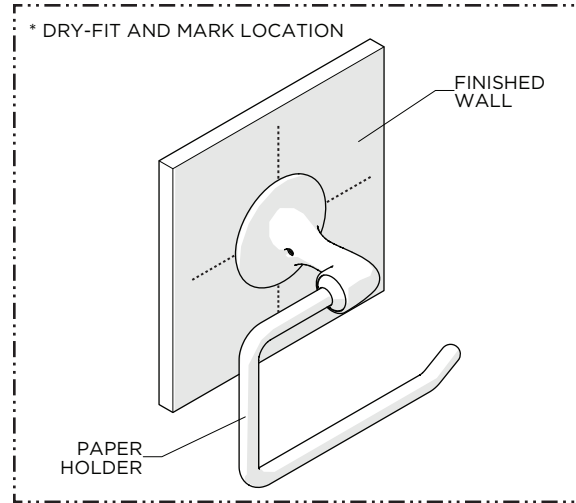


3. Using the previous marks as a reference, install the MOUNTING PLATE using the ANCHORS, if necessary, and SCREWS provided.

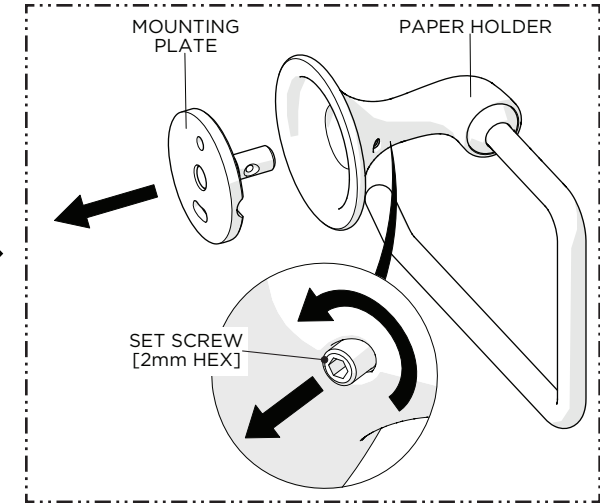
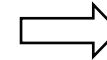
CAUTION: Ensure the MOUNTING PLATE is in the proper orientation.



STYLE No. RRP01
Riverun Wall Mounted Swing Arm Paper Holder

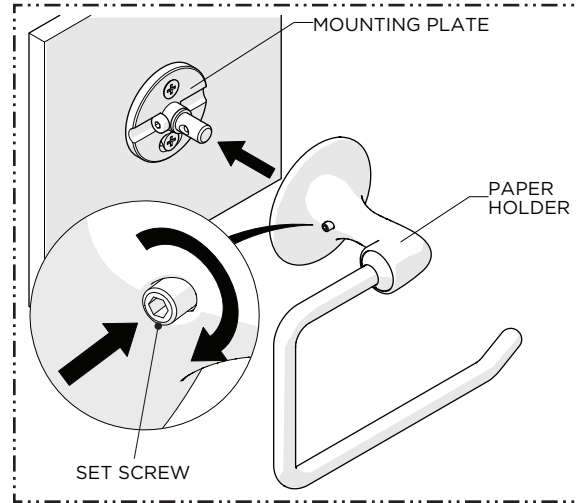
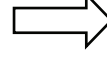


1. Dry-fit the PAPER HOLDER to the finished wall and mark the ideal location.

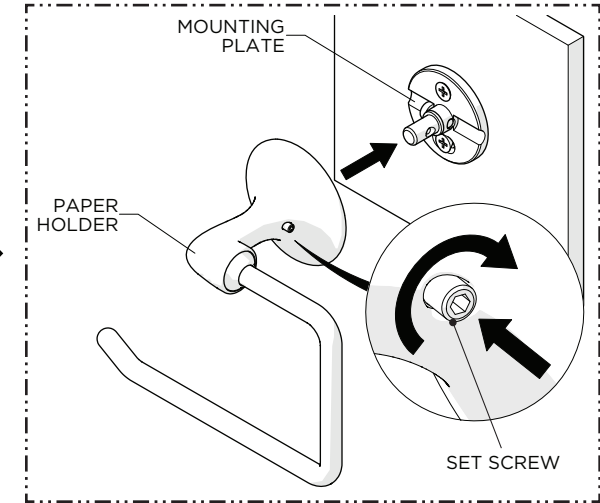
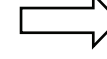


2. Loosen, but do **NOT** remove, the SET SCREW on the side of the PAPER HOLDER and remove the MOUNTING PLATE.

NOTE: Do **NOT** remove the SCREW on the MOUNTING PLATE.



4. Slide the PAPER HOLDER onto the MOUNTING PLATE then thread and securely tighten the SET SCREW.



5. If desired, the PAPER HOLDER can be rotated and installed in the opposite position.