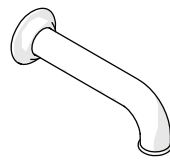
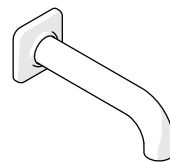


# WATERWORKS

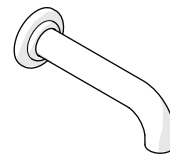
## INSTALLATION GUIDELINES



**STYLE No. RRTS01**  
Riverun Wall  
Mounted Tub Spout



**STYLE No. LDTS80**  
Ludlow Wall  
Mounted Tub Spout



**STYLE No. LDTS85**  
Ludlow Volta Wall  
Mounted Tub Spout

### IMPORTANT:

- To ensure this product is installed properly, you must read and follow these guidelines.
- The owner/user of this product must keep this information for future reference.
- This product must be installed by a professional licensed contractor and must be onsite prior to rough-in. This allows the installer to visualize the installation.
- Check TUB measurements to assure the SPOUT projects far enough into the TUB.
- Be sure your installation conforms to all federal, state, and local codes.
  - Anti-scald protection is the responsibility of the installer and according to applicable codes.
  - A water temperature limiting device is the responsibility of the installer and must be in accordance with ASSE 1070.
  - In the State of Massachusetts, all installations must comply with the rules and regulations set forth within 248 CMR.
- Inspect this product to ensure you have all the parts required for proper installation. Product is sold partially assembled but shown fully disassembled for illustrative and service purposes only.
- Use only a strap wrench or protected/smooth-jaw wrench on any finished surface.
- The use of certain plumber's putty may stain stone or tile surfaces.
- If further assistance is required, please contact Product Support at 1-800-927-2120 Monday through Friday, 8am - 6pm EST.
- Refer to the separate Service Parts Documents for available replacement parts.

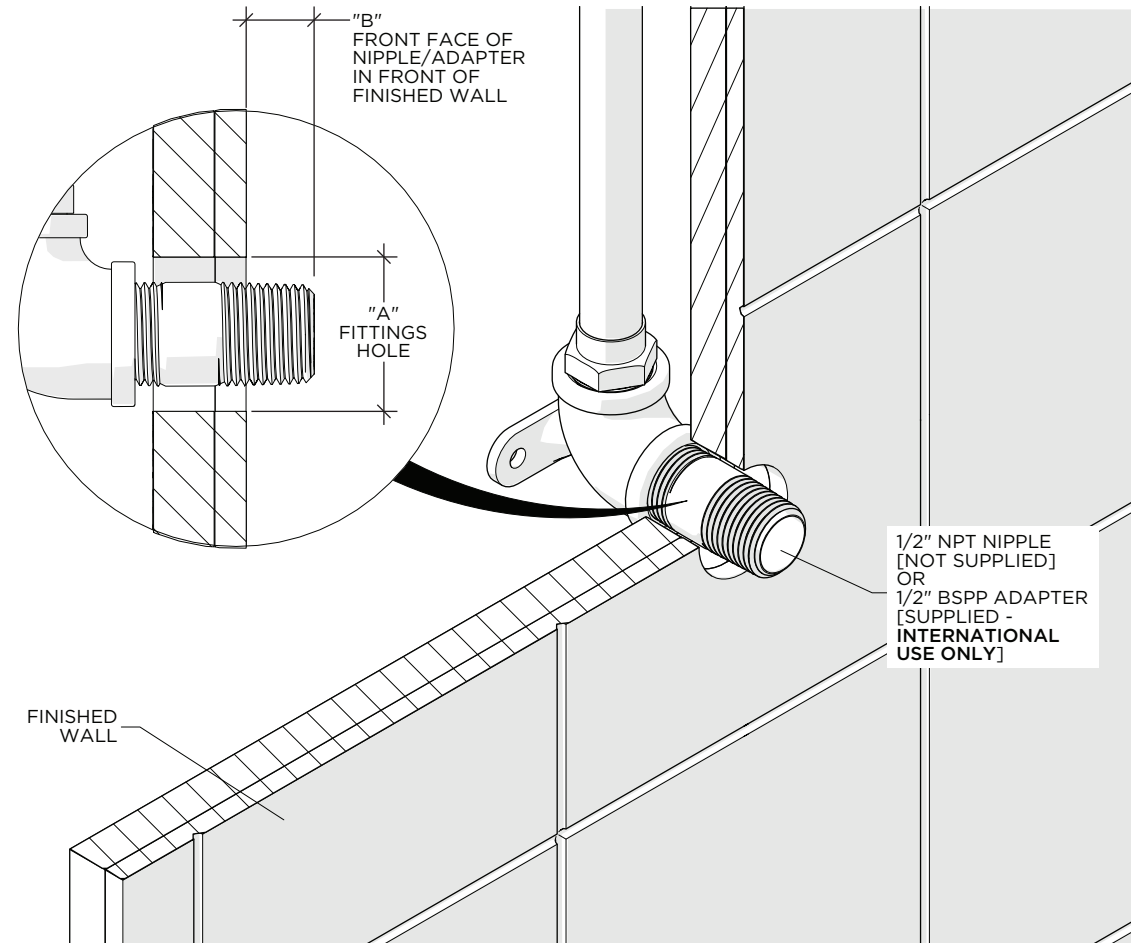
### TECHNICAL DETAILS:

DETAIL	SPECIFICATION
INLET CONNECTION	1/2" FEMALE NPT †
INTEGRATED DIVERTER	NO
SPOUT REACH	6-3/4" [172mm]
WATER PRESSURE MAXIMUM	85psi [6.0bar]
WATER PRESSURE MINIMUM	20psi [1.5 bar]
WATER PRESSURE RECOMMENDED	45psi [3.0 bar]

### ROUGH-IN:

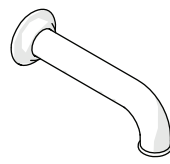
- Determine the ideal location for the TUB SPOUT and rough-in a well supported 1/2" NPT MALE NIPPLE † (not supplied) of appropriate length.

DIMENSION	VALUE
A	1-1/4" [32mm]
B	5/8" [16mm]

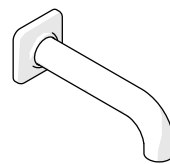


† **FOR INTERNATIONAL USE ONLY**, a 1/2" NPT Male x 1/2" BSPP Male ADAPTER (Style No. UNUK04) is provided. The BSPP end of the ADAPTER may be field cut.

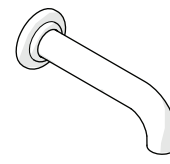
# WATERWORKS INSTALLATION GUIDELINES



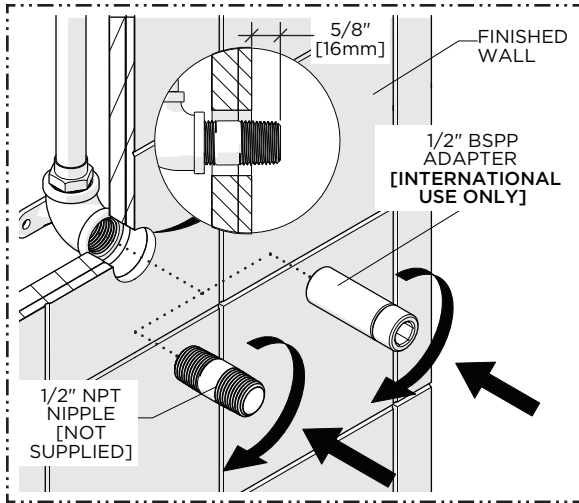
**STYLE No. RRTS01**  
Riverun Wall  
Mounted Tub Spout



**STYLE No. LDTS80**  
Ludlow Wall  
Mounted Tub Spout

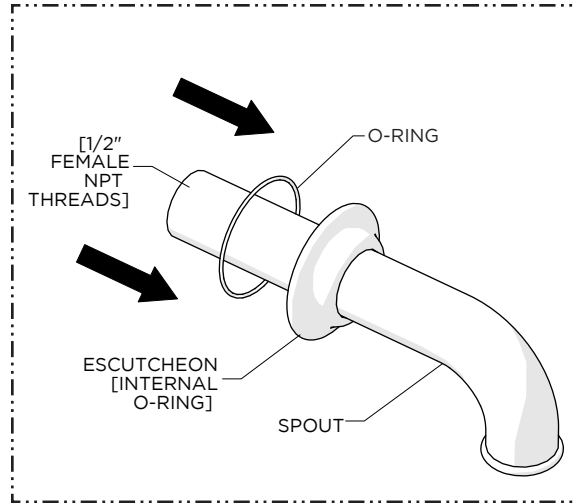


**STYLE No. LDTS85**  
Ludlow Volta Wall  
Mounted Tub Spout

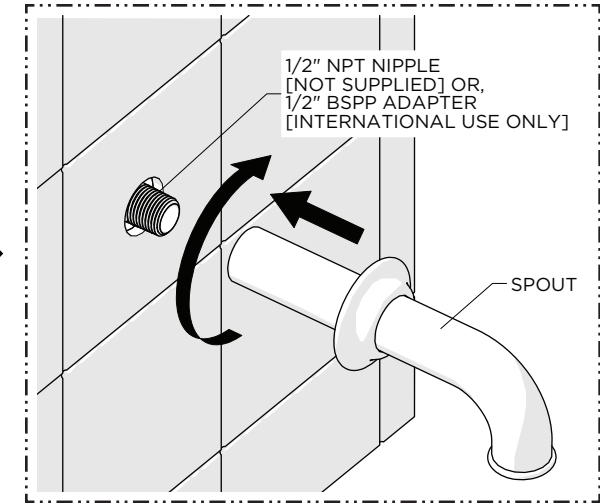


1. Install a 1/2" NPT NIPPLE (not supplied) and ensure it protrudes 5/8" [16mm] from the finished wall.

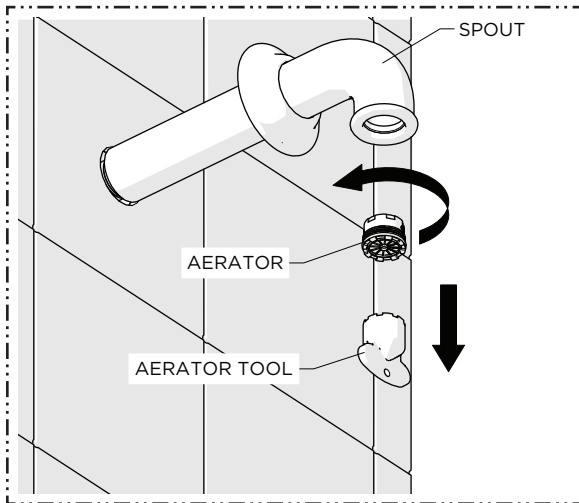
**NOTE:** For International installations, a BSPP ADAPTER, which may be field cut, is provided.



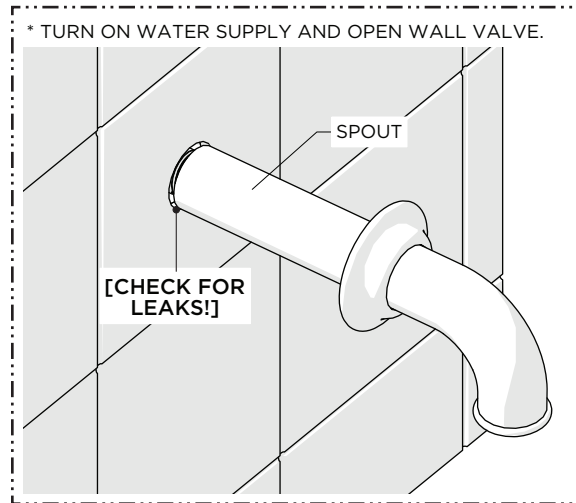
2. **CAREFULLY** slide the ESCUTCHEON and O-RING down the SPOUT.



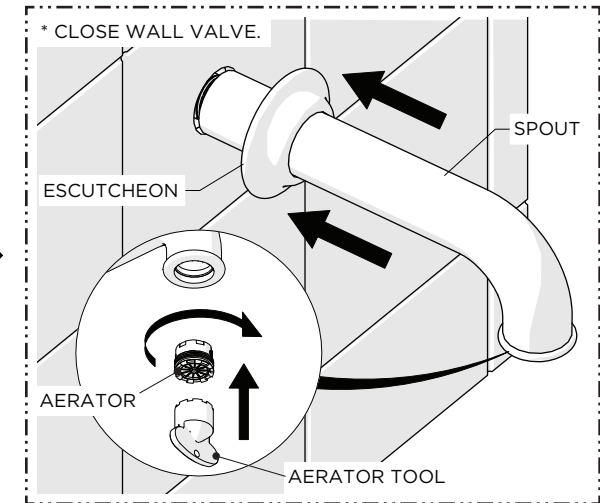
3. Thread and securely tighten the SPOUT onto the NPT NIPPLE or BSPP ADAPTER.



4. Using the TOOL provided, remove the AERATOR.



5. Turn on the water supply and open a diverter/wall valve (sold separately) to flush out any debris in the supply line and inspect all connections for leaks.



6. Close the diverter/wall valve then re-install the AERATOR and **CAREFULLY** slide the ESCUTCHEON down the SPOUT until it contacts the finished wall.

**NOTE:** If desired, a bead of caulk or a clear silicone may be applied where the ESCUTCHEON contacts the finished wall.