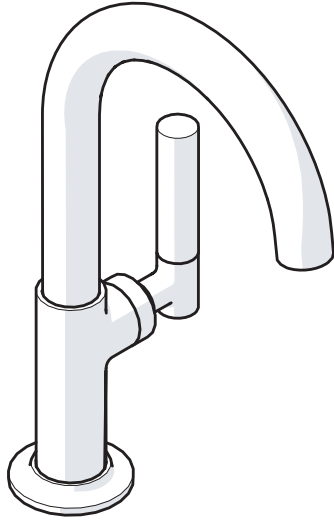


WATERWORKS

INSTALLATION GUIDELINES

STYLE No. BKM47A, BKM47B, BKM47D, BKM47P, BKM47T, BKM49Z
Bond One Hole Gooseneck Bar Faucet with Lever Handle



STYLE	DESCRIPTION
BKM47A	Bond Tandem Series One Hole Gooseneck Bar Faucet with Guilloche Lines Lever Handle
BKM47B [SHOWN]	Bond Tandem Series One Hole Gooseneck Bar Faucet with Two-Tone Lever Handle
BKM47D	Bond Union Series One Hole Gooseneck Bar Faucet with Enamel Guilloche Lines Lever Handle
BKM47P	Bond Union Series One Hole Gooseneck Bar Faucet with Two-Piece Straight Lever Handle
BKM47T	Bond Union Series One Hole Gooseneck Bar Faucet with Teak Lever Handle
BKM49Z	Bond Solo Series One Hole Gooseneck Bar Faucet with Straight Lever Handle

IMPORTANT:

- To ensure this product is installed properly, you must read and follow these guidelines.
- The owner/user of this product must keep this information for future reference.
- This product must be installed by a professional licensed contractor.
- Be sure your installation conforms to all federal, state, and local codes. In the State of Massachusetts, all installations must comply with the rules and regulations set forth within 248 CMR.
- Inspect this product to ensure you have all the parts required for proper installation.
- This product is sold partially assembled but shown fully disassembled for illustrative and service purposes only.
- **CAUTION:**
 - Flushing the SUPPLY VALVES (sold separately) prior to installing the BAR FAUCET is recommended. Flushing can prevent damage to the CARTRIDGE and other internal components.
- Use only a strap wrench or protected/smooth-jaw wrench on any finished surface.
- The use of certain plumber's putty may stain stone or tile surfaces.
- If further assistance is required, please contact Product Support at 1-800-927-2120 Monday through Friday, 8am - 6pm EST.
- Refer to the separate Service Parts Documents for available replacement parts.

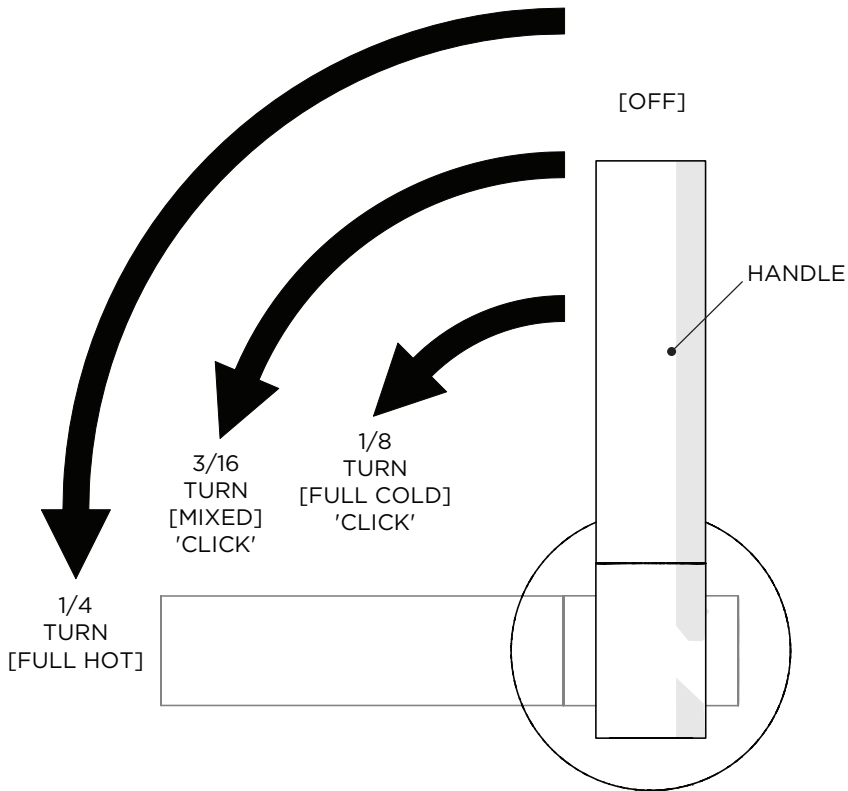
WATERWORKS

INSTALLATION GUIDELINES

STYLE No. BKM47A, BKM47B, BKM47D, BKM47P, BKM47T, BKM49Z
Bond One Hole Gooseneck Bar Faucet with Lever Handle

HANDLE OPERATION:

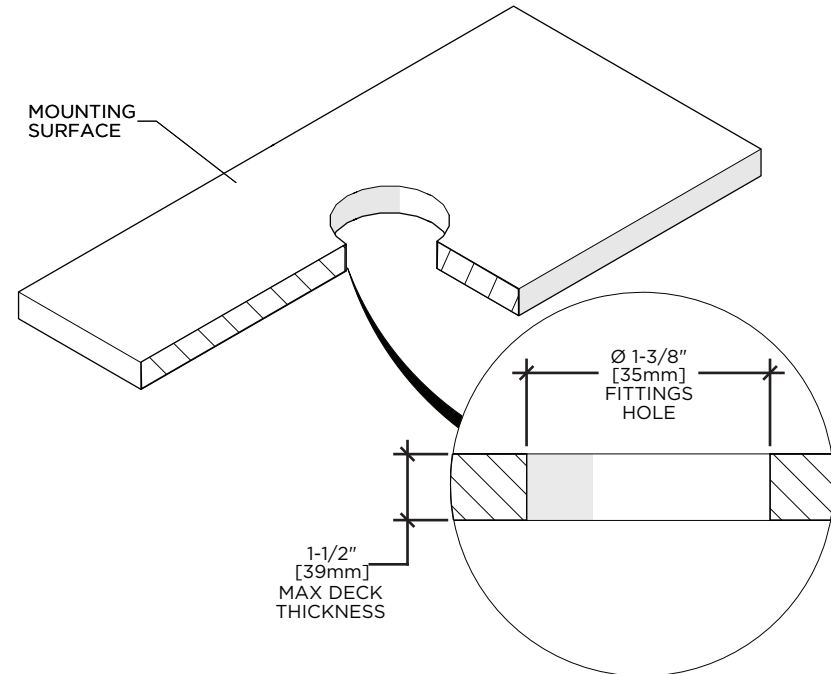
- This product is equipped with a PROGRESSIVE MIXING CARTRIDGE which incorporates tactile feedback.
 - The user will feel slight haptic bumps as they operate the HANDLE.
 - These bumps indicate when the CARTRIDGE is at full cold and warm water temperatures.
- The HANDLE rotates a 1/4 turn counterclockwise through cold, warm, and hot water temperatures as shown below.



TECHNICAL DETAILS:

DETAIL	SPECIFICATION
INLET CONNECTION	3/8" COMPRESSION CONNECTOR HOSES †
SPOUT REACH	5-15/16" [151mm]
SPOUT SWIVEL	YES
WATER PRESSURE MAXIMUM	85psi [6.0 bar]
WATER PRESSURE MINIMUM	20psi [1.5 bar]
WATER PRESSURE RECOMMENDED	45psi [3.0 bar]

† For **INTERNATIONAL USE ONLY**, two 9/16"-24 UNEF MALE x 3/8" FEMALE BSPP ADAPTERS and RUBBER WASHERS are provided.

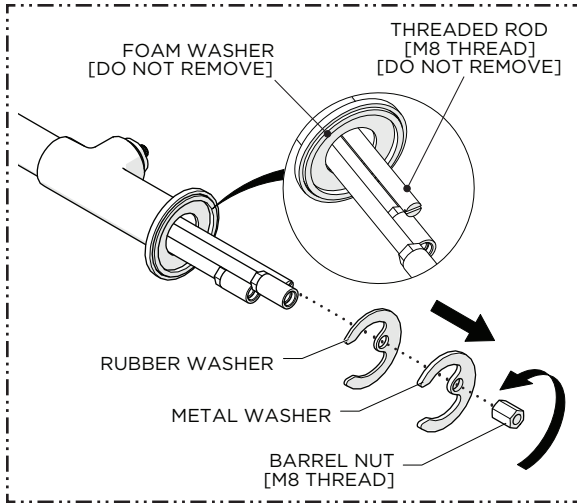


WATERWORKS

INSTALLATION GUIDELINES

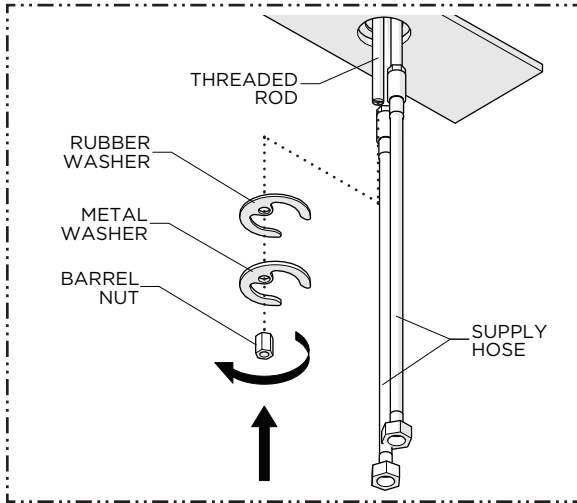
STYLE No. BKM47A, BKM47B, BKM47D, BKM47P, BKM47T, BKM49Z

Bond One Hole Gooseneck Bar Faucet with Lever Handle



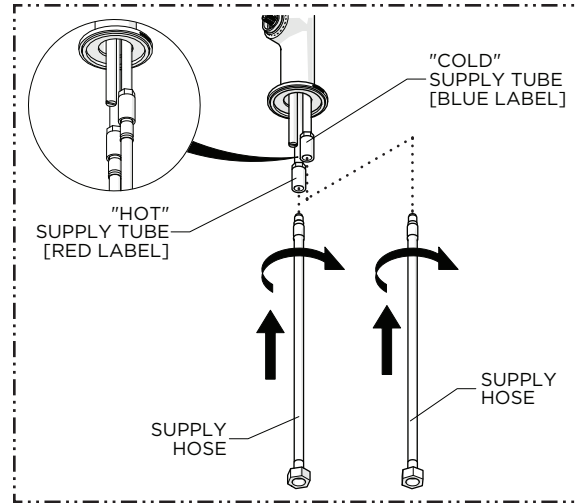
1. Remove the BARREL NUT, METAL WASHER, and RUBBER WASHER from the THREADED ROD.

NOTE: Do **NOT** remove the THREADED ROD or FOAM WASHER beneath the ESCUTCHEON.



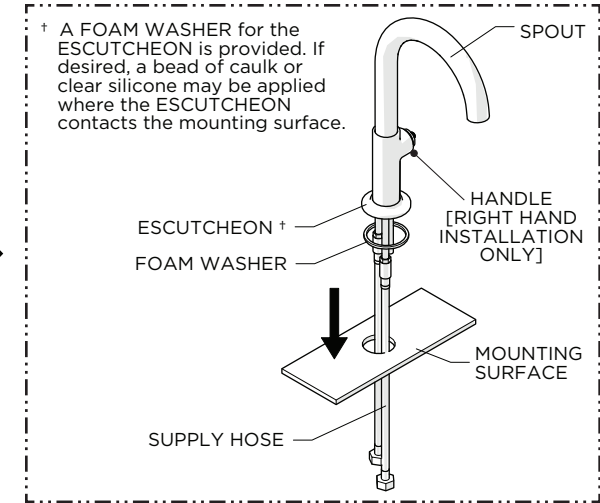
4. Slide the RUBBER and METAL WASHERS back onto the THREADED ROD then thread and securely tighten the BARREL NUT onto the ROD.

NOTE: Ensure the WASHERS fit properly around the TUBES and HOSES.

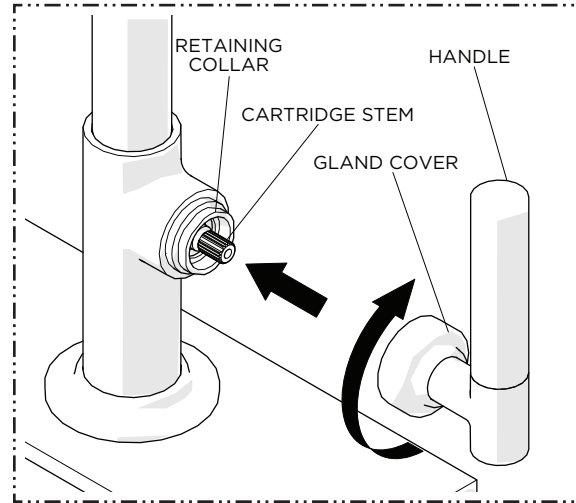


2. Thread and securely tighten the SUPPLY HOSES into the SUPPLY TUBES on the SPOUT.

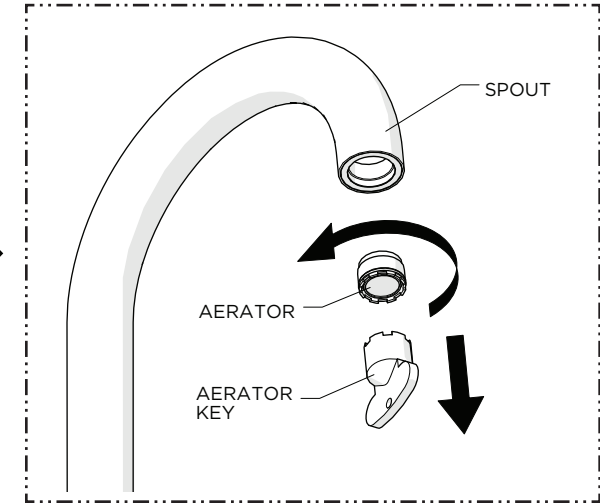
NOTE: The HOSES are M8 x 3/8" COMPRESSION CONNECTOR HOSES and the TUBES are marked BLUE for cold and RED for hot.



3. Insert the SUPPLY HOSES through the hole on the mounting surface making sure the FOAM WASHER provided is beneath the ESCUTCHEON.



5. With the HANDLE held vertically, thread the GLAND COVER onto the RETAINING COLLAR until it stops.

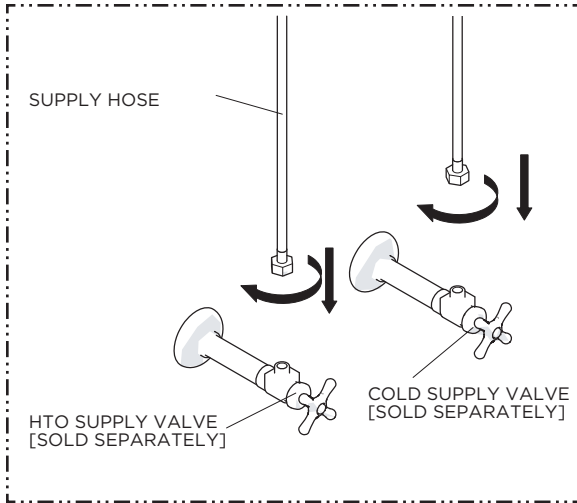


6. Remove the AERATOR from the SPOUT using the AERATOR KEY provided.

WATERWORKS

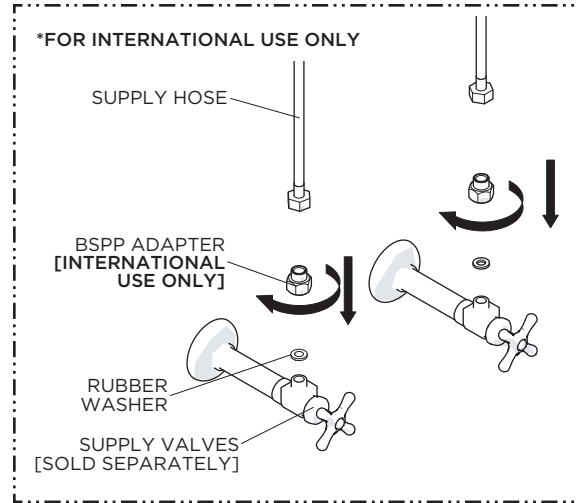
INSTALLATION GUIDELINES

STYLE No. BKM47A, BKM47B, BKM47D, BKM47P, BKM47T, BKM49Z
Bond One Hole Gooseneck Bar Faucet with Lever Handle



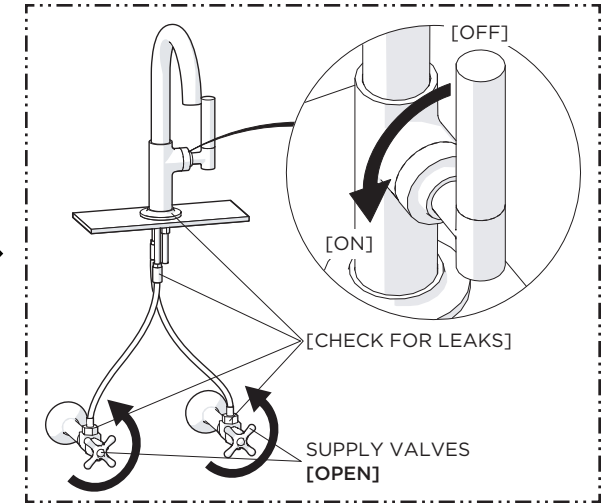
7. Connect the SUPPLY HOSES to the SUPPLY VALVES [SOLD SEPARATELY].

NOTE: The HOSES are connected to SUPPLY TUBES that are marked BLUE for cold and RED for HOT.



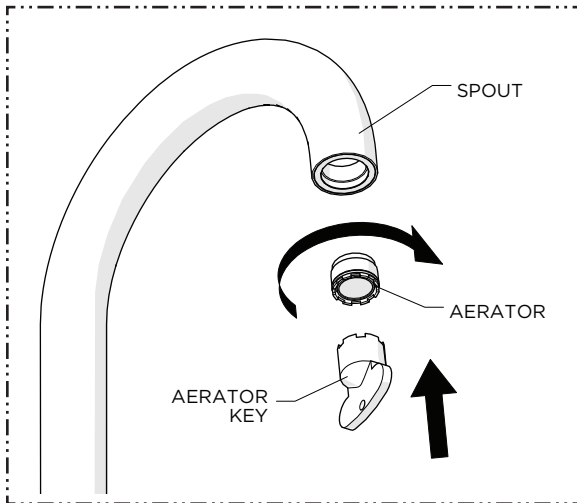
FOR INTERNATIONAL INSTALLATIONS ONLY

8. Using the RUBBER WASHERS provided, thread and securely tighten the BSPP ADAPTERS onto the SUPPLY VALVES then thread and securely tighten the SUPPLY HOSES onto the ADAPTERS.



9. Turn on the water supply to flush out the supply lines and inspect all connections for leaks.

NOTE: Flushing the SUPPLY VALVES prior to installing the FAUCET is recommended to avoid damaging CARTRIDGE.



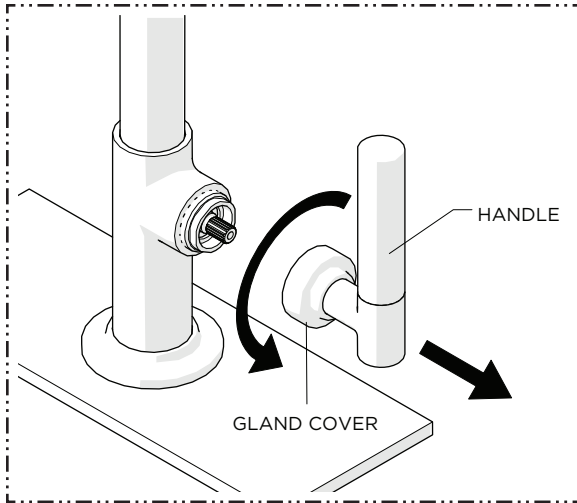
10. Close the HANDLE then re-install the AERATOR using the tool provided.

**PROCEED
FOR
SERVICING
GUIDELINES**

WATERWORKS

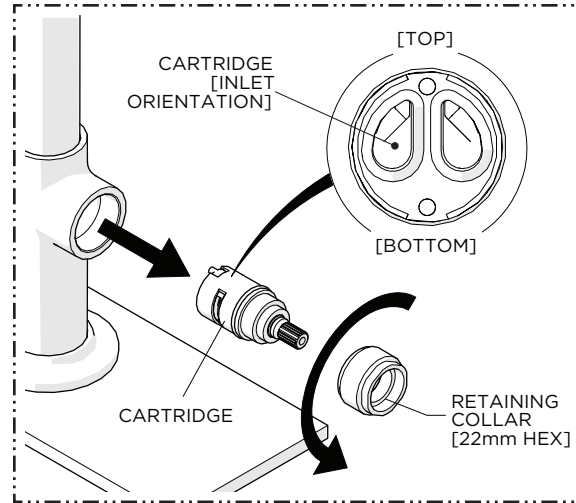
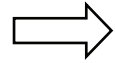
SERVICE GUIDELINES

STYLE No. BKM47A, BKM47B, BKM47D, BKM47P, BKM47T, BKM49Z
Bond One Hole Gooseneck Bar Faucet with Lever Handle



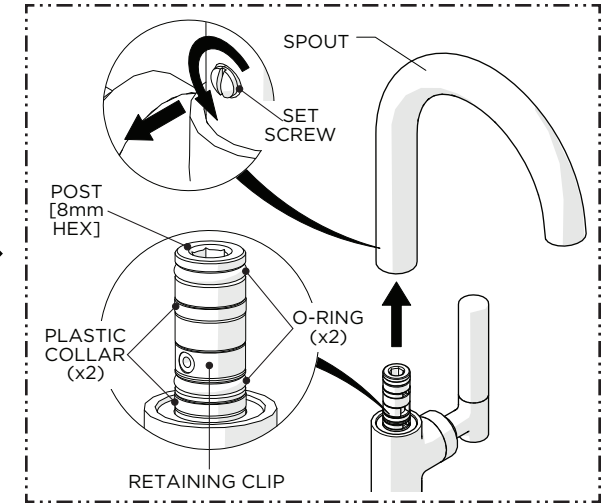
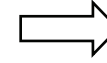
SERVICING THE CARTRIDGE

1. Unthread the GLAND COVER then pull the HANDLE off.



2. Unthread and remove the RETAINING COLLAR then pull the CARTRIDGE out.

NOTE: Replacing the RETAINING COLLAR requires a torque of 11 ft-lb [15N•m]. Exceeding this torque will damage the CARTRIDGE.



SERVICING THE SPOUT

1. Unthread the SET SCREW at the base of the SPOUT then pull the SPOUT up to expose the POST and O-RINGS.