

INSTALLATION GUIDELINES

WARNING

- This product is extremely heavy. It is **STRONGLY** recommended that 2 or more persons install this product.

IMPORTANT

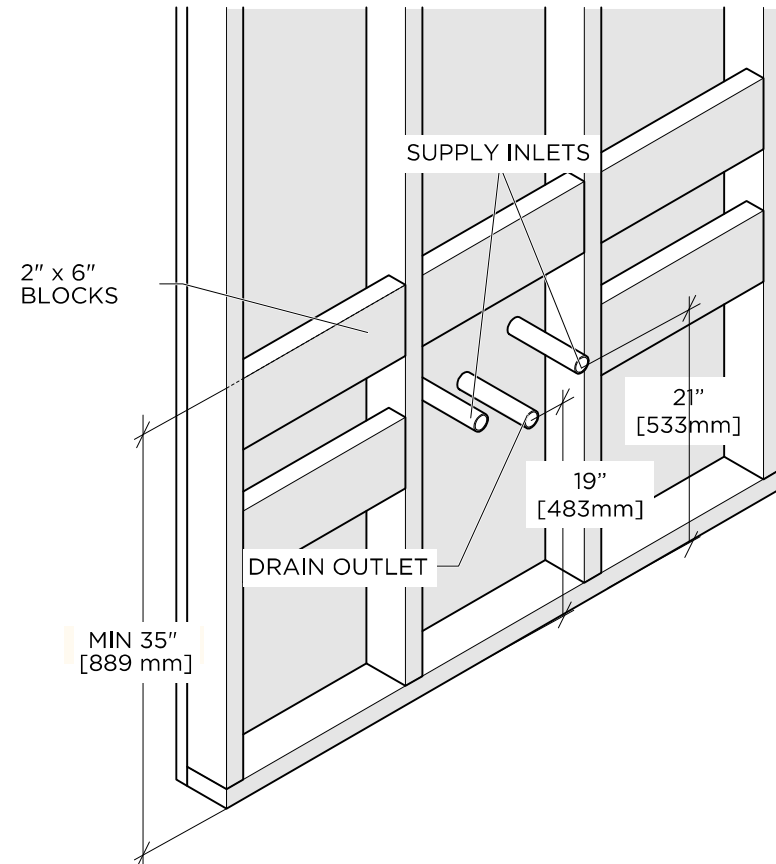
- To ensure this product is installed properly, you must read and follow these guidelines.
- The owner/user of this product must keep this information for reference.
- This product must be installed by a professional licensed contractor.
- Be sure your installation conforms to federal, state, and local codes. In the State of Massachusetts, all installations must comply with the rules and regulations set forth within 248 CMR.
- Inspect this product to ensure you have all the parts required for proper installation. Product is sold partially assembled but shown fully disassembled for illustrative and service purposes only.
- The use of certain plumber's putty may stain stone or tile surfaces.
- Take all necessary precautions to ensure that this washstand is protected during installation.
- Ensure that the floor is level and that there is proper floor support to accommodate this heavy washstand.
- Proper blocking is suggested to attach the washstand to the wall.
- If further assistance is required, please contact Product Support at 1-800-927-2120 Monday through Friday, 8am - 6pm EST.

TECHNICAL DETAILS

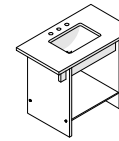
| DETAIL | SPECIFICATION |
|-----------------------------------|------------------|
| WEIGHT | 600 lbs [272 kg] |
| ROUGH-IN SUPPLY HEIGHT RECOMENDED | 21" [533 mm] |
| ROUGH-IN WASTE HEIGHT RECOMENDED | 19" [483 mm] |

ROUGH-IN

- An optional 2" x 6" blocking can be used to secure the WASHSTAND to the wall.

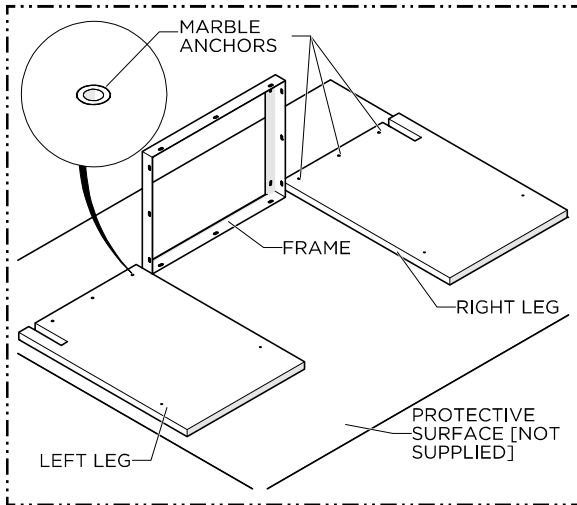


INSTALLATION GUIDELINES

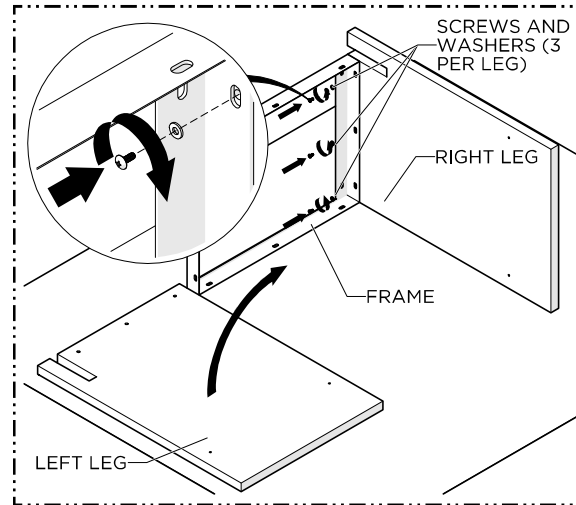


STYLE No. RHWS01

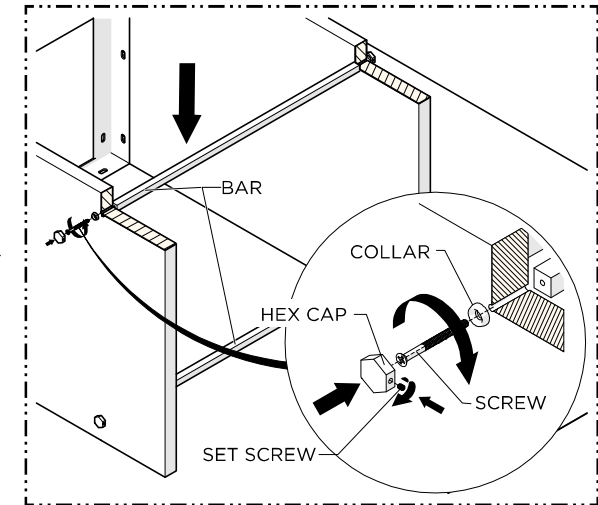
Rhea Marble Two Leg Single Washstand with Top and Sink 42" x 24" x 35"



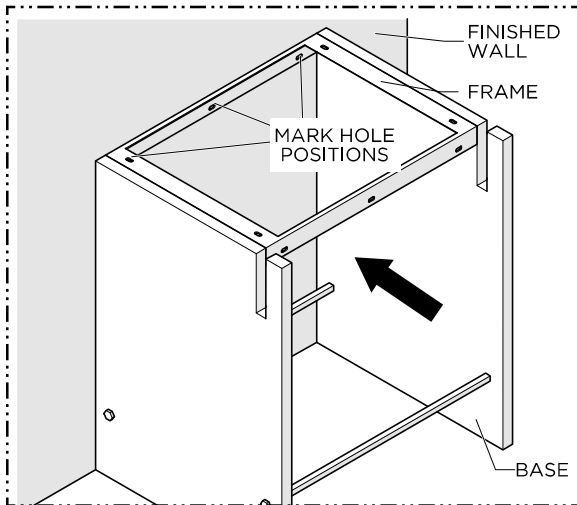
1. Place the LEFT LEG & RIGHT LEG on the protective work surface with the MARBLE ANCHORS facing upwards and place the FRAME in between the LEGS.



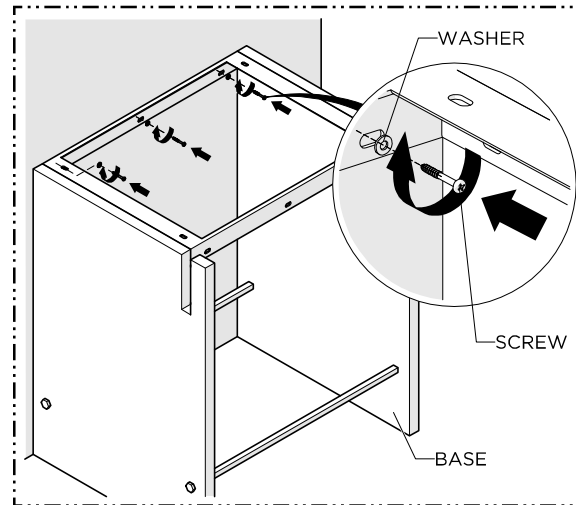
2. Fasten the FRAME to the pre-installed marble anchors of the LEFT LEG and RIGHT LEG using the WASHERS & SCREWS supplied.



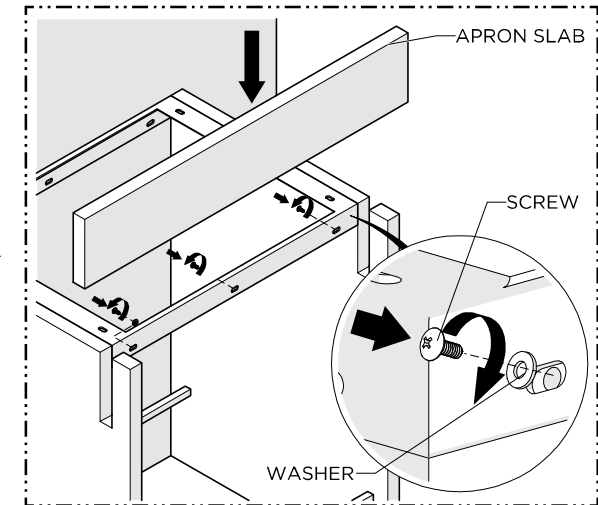
3. Use one SCREW and COLLAR to fasten the BAR to one LEG. Cover the COLLAR with the HEX CAP and secure it with the SET SCREW. Repeat on the other LEG. Install the second BAR following the same process. This completes the washstand BASE.



4. Dry fit the BASE to the desired position against the wall ensuring the LEGS are level and mark the FRAME's hole locations. Remove the BASE. Drill pilot holes in the wall in the marked locations. Install plastic WALL ANCHORS [not supplied] if no stud or blocking is present.

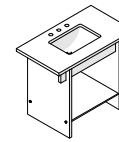


5. Move BASE back into position and fasten the FRAME with the SCREWS and WASHERS provided.



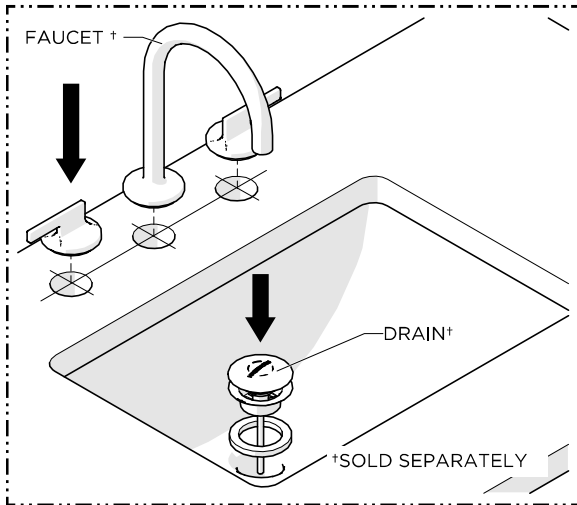
6. Carefully install the APRON SLAB into the notches on each LEG, using the screws and washers provided, fasten the FRAME to the APRON SLAB.

INSTALLATION GUIDELINES

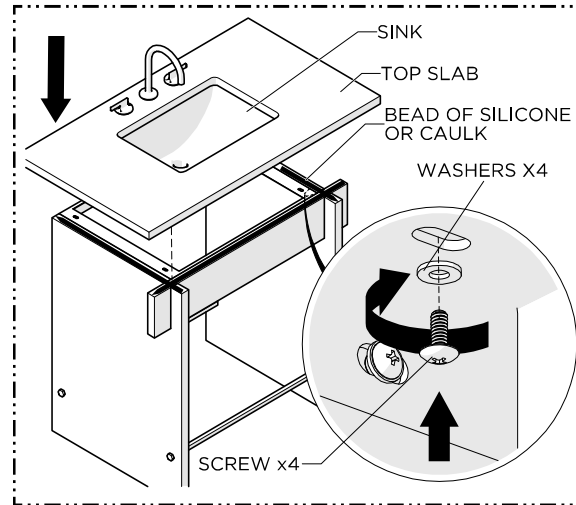


STYLE No. RHWS01

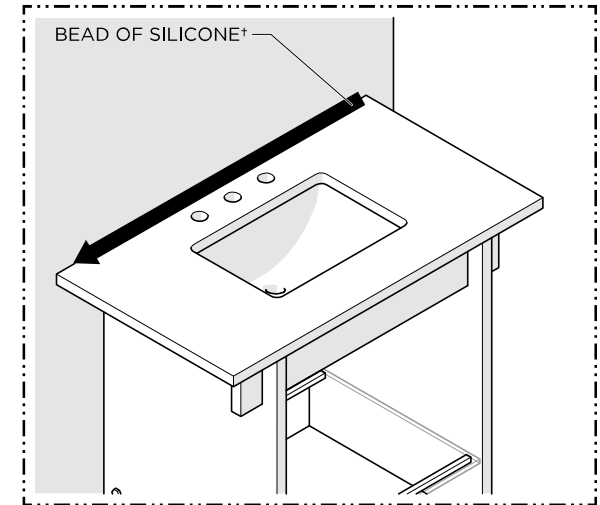
Rhea Marble Two Leg Single Washstand
with Top and Sink 42" x 24" x 35"



7. Install the FAUCET and the DRAIN on the TOP SLAB with SINK.

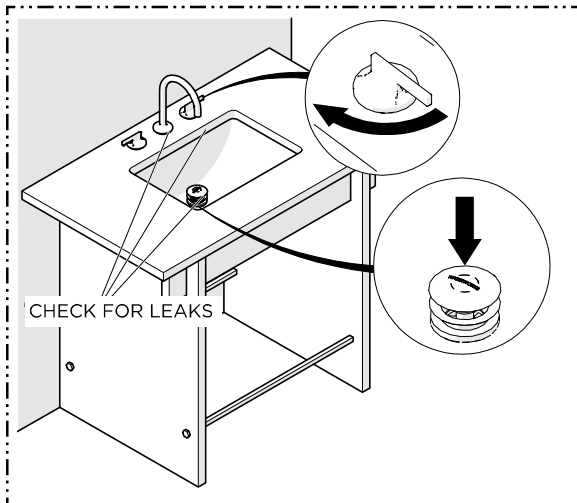


8. Add a bead of caulk or clear silicone on the top surface of the BASE. Place the TOP SLAB over the BASE with the SINK positioned inside the FRAME and bump against the wall. From underneath the slab, fasten the TOP SLAB to the FRAME with the SCREWS and WASHERS provided.

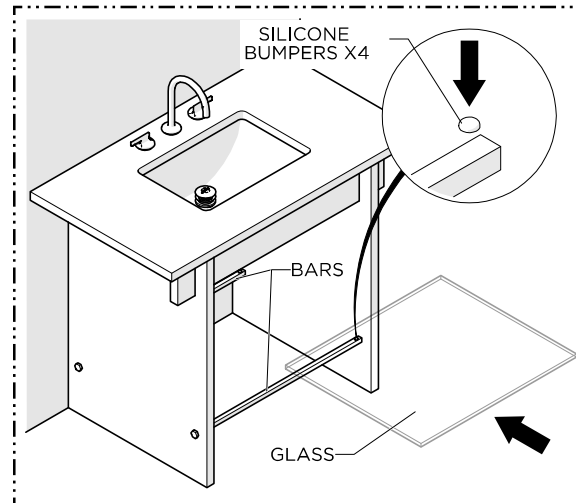


9. If desired, a bead of caulk or a clear silicone may be applied where the TOP SLAB contacts the finished wall.

NOTE: The use of certain plumber's putty may stain stone or tile surfaces.



10. Make final FAUCET and DRAIN connections (if applicable). Turn on the water and operate the drain and faucet fittings to ensure proper operation. Check all connections for leaks.



11. Place one SILICONE BUMPER on top of each BAR side 1" away from the LEG's inner surface, Install the GLASS on top of the BARS to finish the setup.