

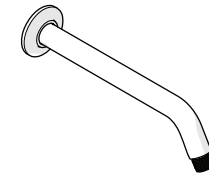
INSTALLATION GUIDELINES

IMPORTANT:

- To ensure this product is installed properly, you must read and follow these guidelines.
- The owner/user of this product must keep this information for future reference.
- This product must be installed by a professional licensed contractor and must be onsite prior to rough-in, this allows the installer to visualize the installation.
- Be sure your installation conforms to federal, state, and local codes. In the State of Massachusetts, all installations must comply with the rules and regulations set forth within 248 CMR.
- Inspect this product to ensure you have all the parts required for proper installation.
- Product is sold partially assembled but shown fully disassembled for illustrative and service purposes only.
- Use only a strap wrench or protected/smooth-jaw wrench on any finished surface.
- The use of certain plumber's putty may stain stone or tile surfaces.
- If further assistance is required, please contact Product Support at 1-800-927-2120 Monday through Friday, 8am - 6pm EST.
- Refer to the separate Service Parts Documents for available replacement parts.

TECHNICAL DETAILS:

INLET/OUTLET CONNECTION	1/2" MALE NPT
INTEGRATED DIVERTER	NO
SHOWERHEAD INCLUDED	NO
WATER PRESSURE MAXIMUM	85psi [6.0bar]
WATER PRESSURE MINIMUM	20psi [1.5 bar]
WATER PRESSURE RECOMMENDED	45psi [3.0 bar]



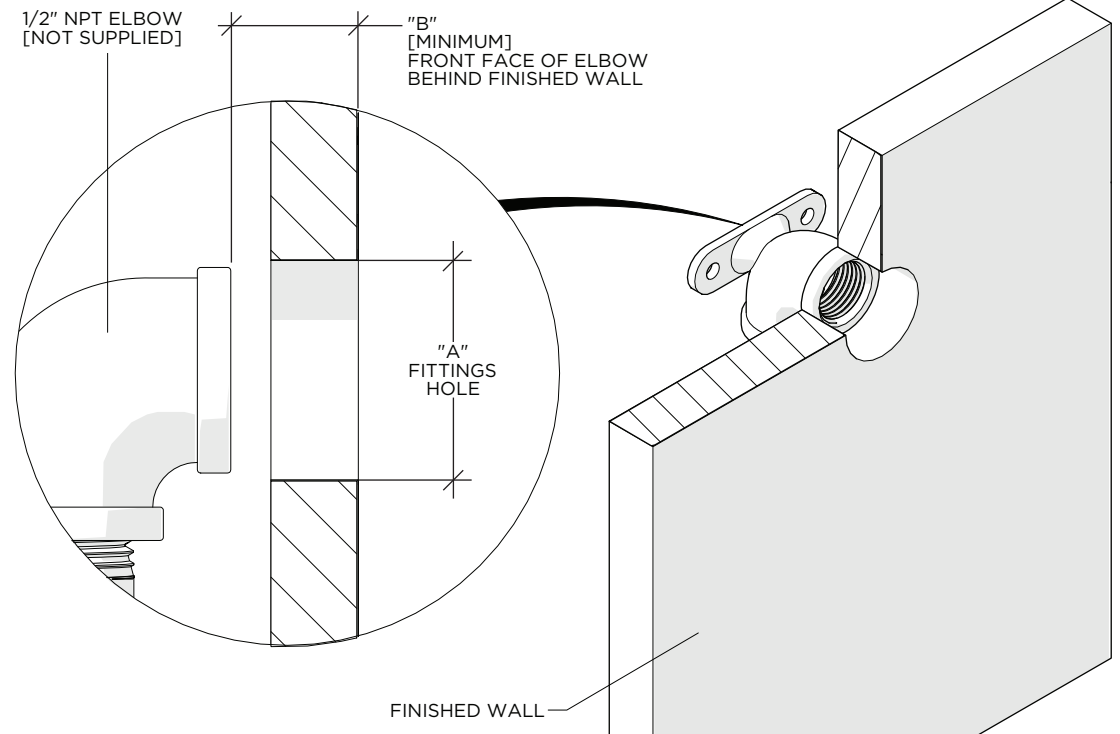
STYLE No. BSH001

Bond Wall Mounted 10-1/2" Shower Arm and Flange

ROUGH-IN:

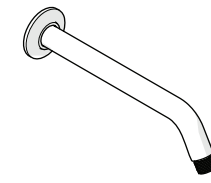
- Determine the ideal location for the SHOWER ARM and rough-in a well supported 1/2" NPT ELBOW (not supplied) to the appropriate depth.

DIMENSION	VALUE
A	1-1/4"[32mm]
B	1/4"[6mm] MINIMUM

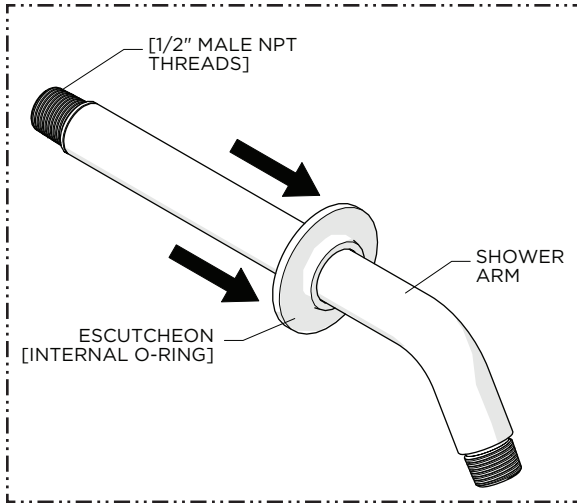


WATERWORKS

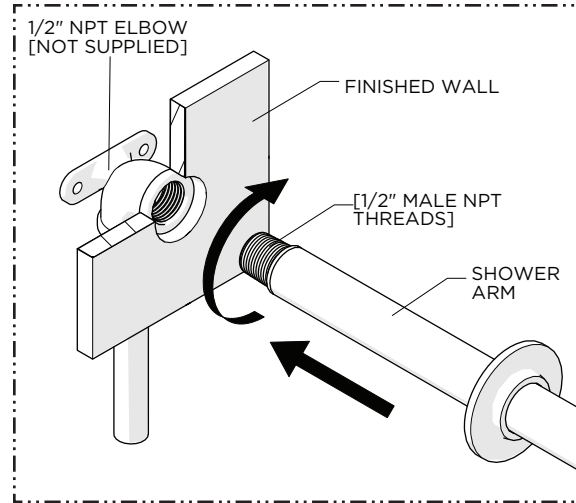
INSTALLATION GUIDELINES



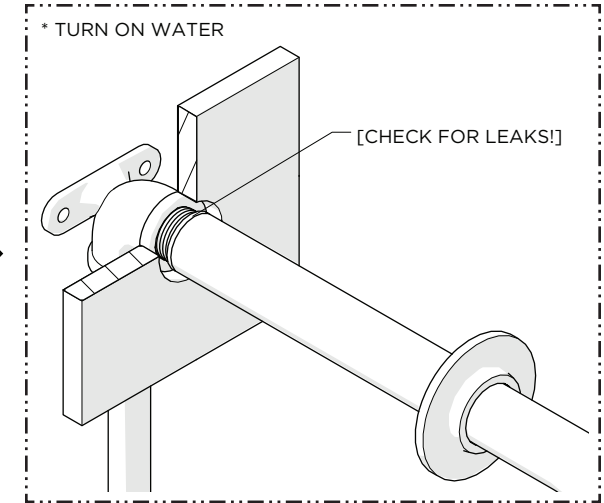
STYLE No. BSH001
Bond Wall Mounted 10-1/2" Shower Arm
and Flange



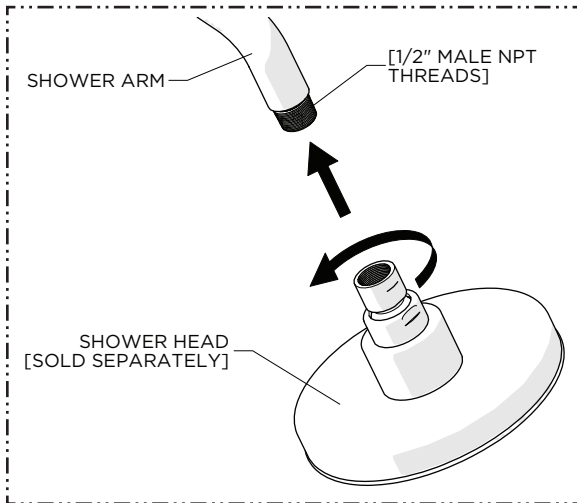
1. Slide the ESCUTCHEON onto the SHOWER ARM.



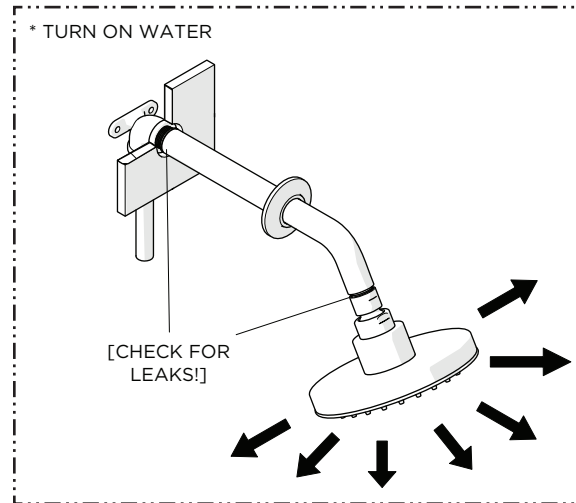
2. Making sure the ELBOW (not supplied) is properly roughed-in, thread and securely tighten SHOWER ARM into the ELBOW.



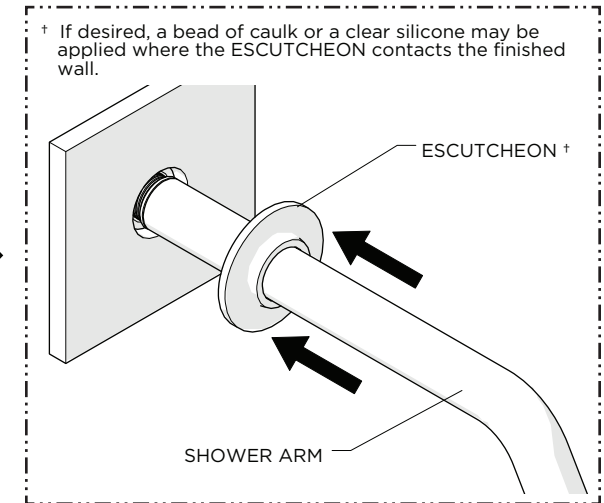
3. Turn on the water and a diverter/wall valve (sold separately) to flush out any debris in the supply line and inspect all connections for leaks then turn the water off.



4. Attach the SHOWER HEAD (sold separately) to the SHOWER ARM per the manufacturer's instructions.



5. Turn on the water and operate the SHOWER HEAD to ensure it functions properly. Inspect all connections for leaks then turn the water off.



6. Slide the ESCUTCHEON along the SHOWER ARM until it contacts the finished wall.