

WATERWORKS

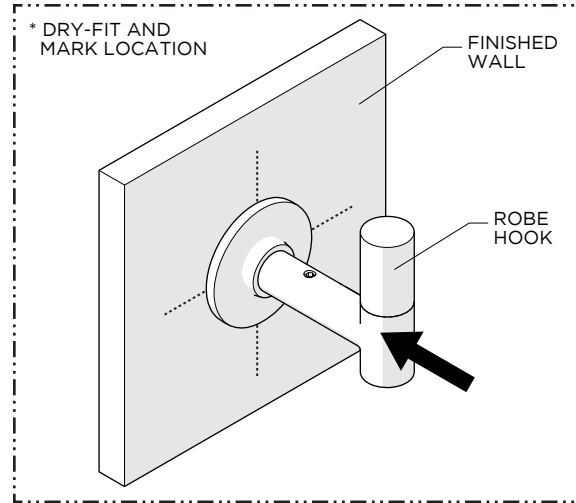
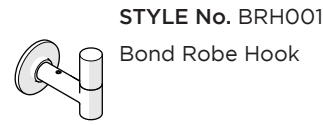
INSTALLATION GUIDELINES

IMPORTANT:

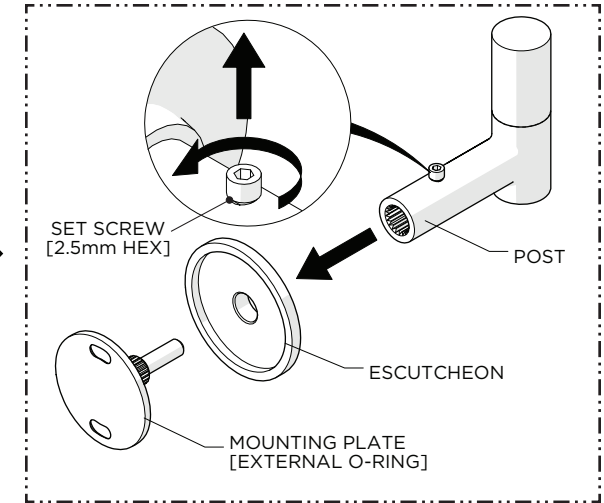
- To ensure this product is installed properly, you must read and follow these guidelines.
- The owner/user of this product must keep this information for future reference.
- This product must be installed by a professional licensed contractor. Inspect this product to ensure you have all the parts required for proper installation.
- **DRYWALL ANCHORS** for a typical drywall installation are provided. Do **NOT** use the ANCHORS if mounting directly onto wood blocking or a stud.
- If further assistance is required, please contact Product Support at 1-800-927-2120 Monday through Friday, 8am - 6pm EST.
- Refer to the separate Service Parts Documents for available replacement parts.

TECHNICAL DETAILS:

DETAIL	SPECIFICATION
PRIMARY MATERIAL	BRASS

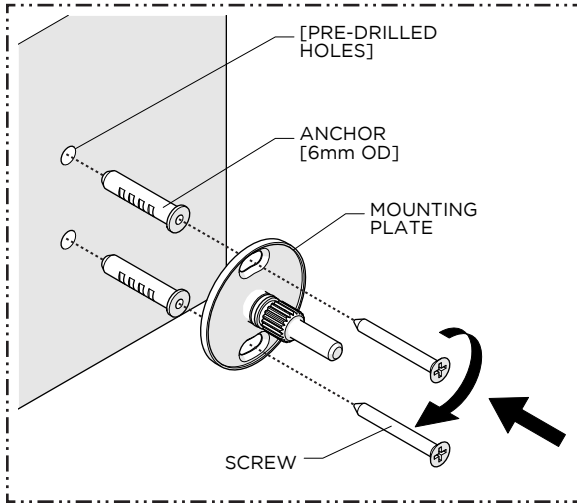


1. Dry-fit the ROBE HOOK, PAPER HOLDER, or TOWEL BAR to the finished wall and mark the ideal location.

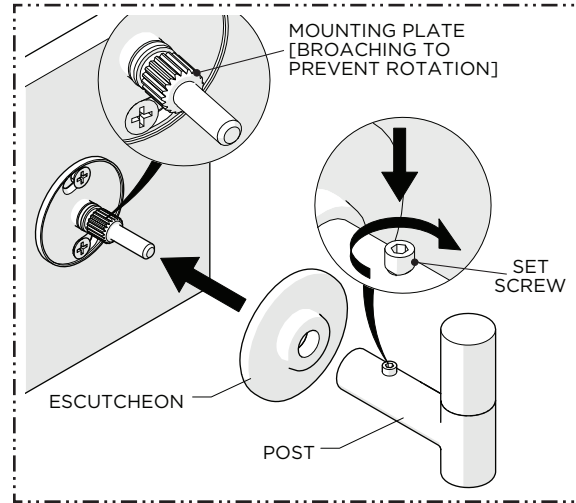


2. Loosen, but do **NOT** remove, the SET SCREW on the POST and remove the MOUNTING PLATE and ESCUTCHEON.

NOTE: Do **NOT** remove the O-RING on the MOUNTING PLATE.



3. Using the previous marks as a reference, install the MOUNTING PLATE using the ANCHORS, if necessary, and SCREWS provided.



4. Slide the ESCUTCHEON and POST onto the MOUNTING PLATE then thread and securely tighten the SET SCREW.

NOTE: The STEM on the MOUNTING PLATE is broached to prevent the POST from rotating.