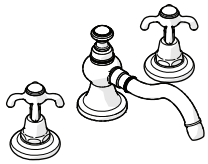


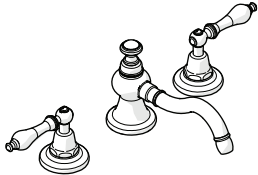
INSTALLATION GUIDELINES

Etoile Low Profile Three Hole Deck Mounted Lavatory Faucet



STYLE No. ETLS42

Etoile Low Profile Three Hole Deck Mounted Lavatory Faucet with Metal Cross Handles



STYLE No. ETLS43

Etoile Low Profile Three Hole Deck Mounted Lavatory Faucet with Metal Lever Handles

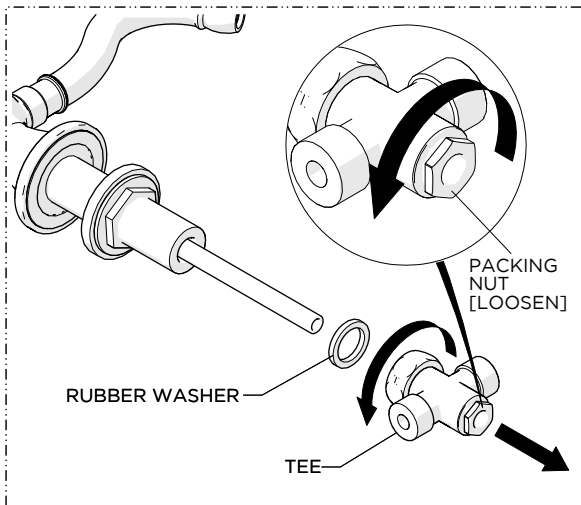
IMPORTANT:

- To ensure this product is installed properly, you must read and follow these guidelines.
- The owner/user of this product must keep this information for future reference.
- This product must be installed by a professional licensed contractor.
- Be sure your installation conforms to federal state, and local codes. In the State of Massachusetts, all installations must comply with the rules and regulations set forth within 248 CMR.
- Inspect this product to ensure you have all the parts required for proper installation.
- **CAUTION:** This product is supplied with a European sized DRAIN and is **NOT** compatible with SINKS that have a standard US drain hole of 1-1/2" [38mm].
- Product is sold partially assembled but shown fully disassembled for illustrative and service purposes only.
- Use only a strap wrench or protected/smooth-jaw wrench on any finished surface.
- The use of certain plumber's putty may stain stone or tile surfaces.
- If further assistance is required, please contact Product Support at 1-800-927-2120 Monday through Friday, 8am - 6pm EST.
- Refer to the separate Service Parts Documents for available replacement parts.

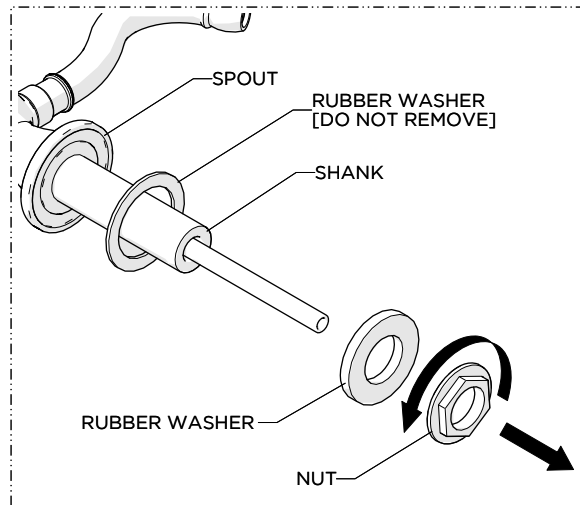
TECHNICAL DETAILS:

DETAIL	SPECIFICATION
DECK THICKNESS MAXIMUM	1-7/16" [37mm]
DRAIN DEPTH	1-3/8" [35mm] MIN 1-3/4" [45mm] MAX
DRAIN HOLE DIAMETER [REQUIRED]	Ø1-3/4" [44mm]
DRAIN STYLE [EUROPEAN SIZED DRAIN SUPPLIED]	POP-UP
FITTINGS HOLE DIAMETER	Ø1-3/8" [35mm]
HANDLE SPREAD	8" [203mm] MIN 12" [305mm] MAX
HANDLE TURN ANGLE	QUARTER TURN
INLET CONNECTION	1/2" MALE WITH SUPPLY NUT
SPOUT REACH	6-3/8" [162mm]
WATER PRESSURE RANGE	20psi [1.5 bar] MIN 85psi [6.0 bar] MAX
WATER PRESSURE RECOMMENDED	45psi [3.0 bar]

INSTALLATION GUIDELINES

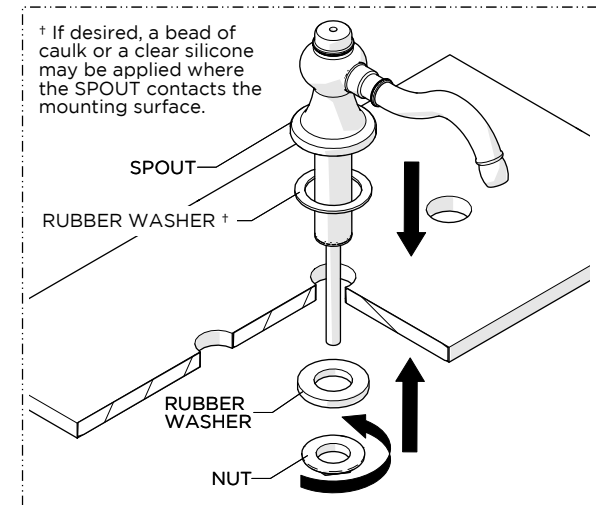


1. Loosen, but do **NOT** remove the PACKING NUT at the base of the TEE then remove the TEE and RUBBER WASHER from the SHANK.

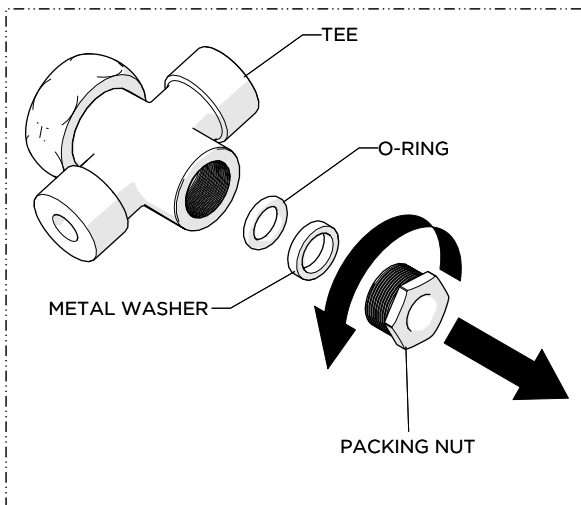


2. Unthread and remove the NUT and lower deck WASHER from the SHANK.

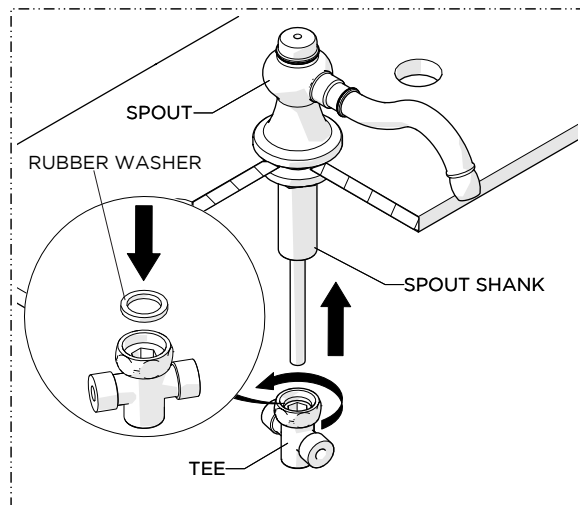
NOTE: Do **NOT** remove the RUBBER WASHER beneath the SPOUT.



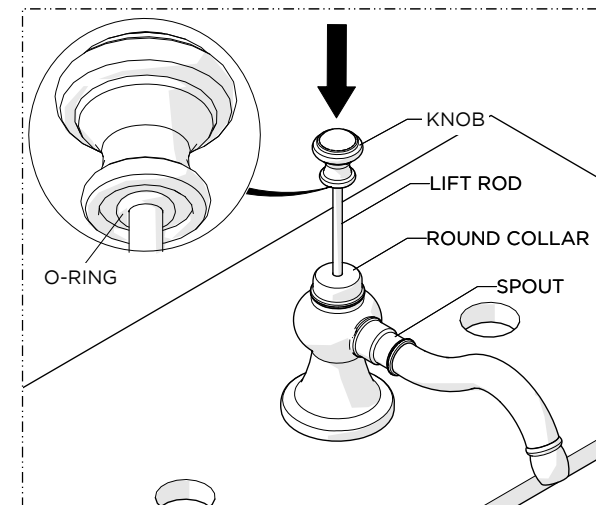
3. Insert the SHANK through the hole on the mounting surface making sure the RUBBER WASHER provided is beneath the SPOUT then re-attach the lower deck WASHER and securely tighten the NUT.



4. Remove the PACKING NUT, METAL WSAHER and O-RING from the TEE to prevent the GUIDE TUBE in the SPOUT from damaging the O-RING.

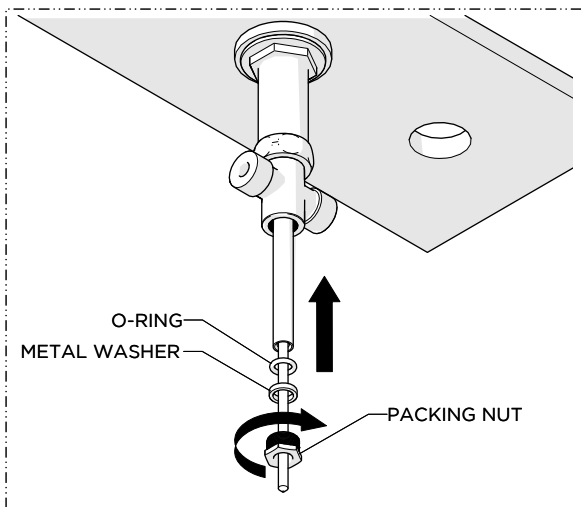


5. Thread and securely tighten the TEE onto the SHANK making sure to use the RUBBER WASHER provided.

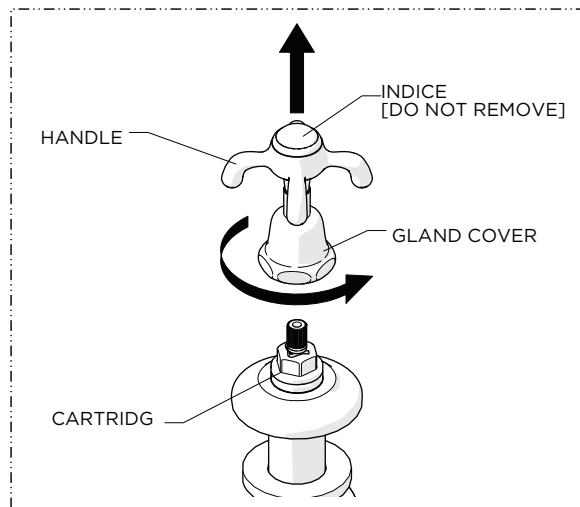


6. Insert the LIFT ROD into the top of the SPOUT making sure the O-RING is beneath the KNOB.

INSTALLATION GUIDELINES

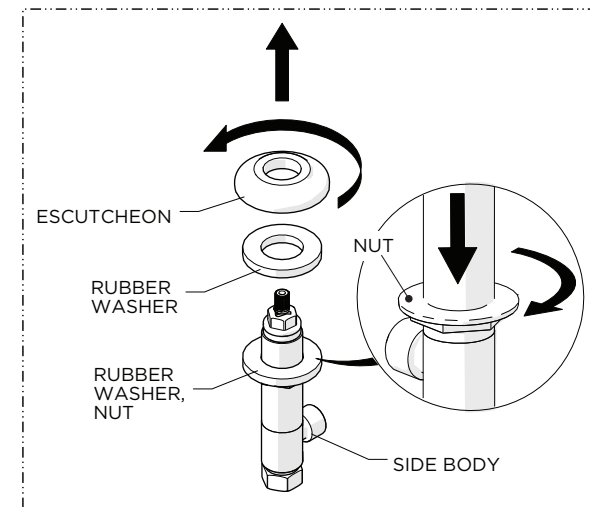


7. Insert the O-RING and METAL WASHER into the base of the TEE then thread and securely tighten the PACKING NUT.



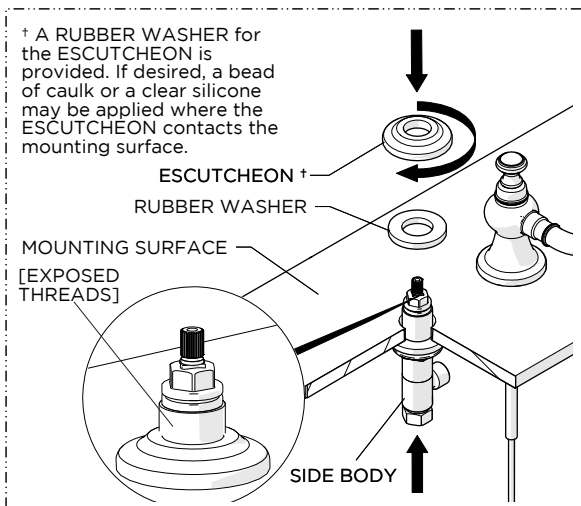
8. Unthread the GLAND COVER from the CARTRIDGE on the SIDEBODY and pull the HANDLE off.

NOTE: Do NOT unthread or remove the INDICE.



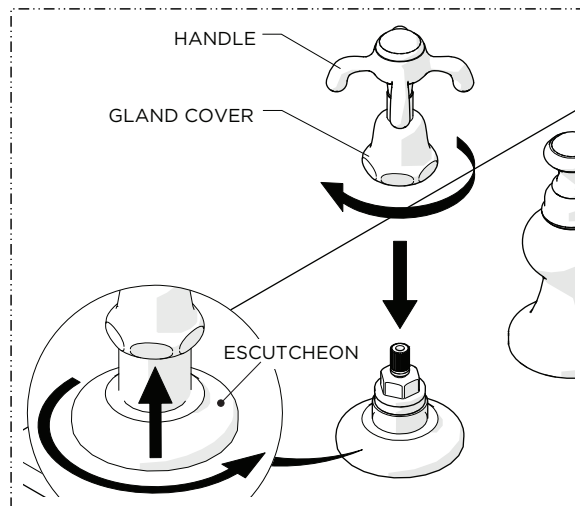
9. Unthread the ESCUTCHEON and remove the RUBBER WASHER then fully thread the NUT down the SIDEBODY.

NOTE: Do NOT remove the lower deck WASHER.

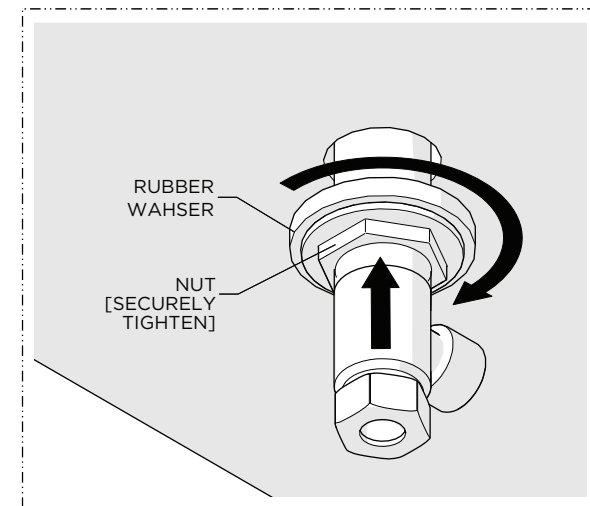


10. Using the RUBBER WASHER provided, thread the ESCUTCHEON back onto the SIDEBODY and let it rest on the mounting surface.

NOTE: Leave some **exposed** threads above the ESCUTCHEON.

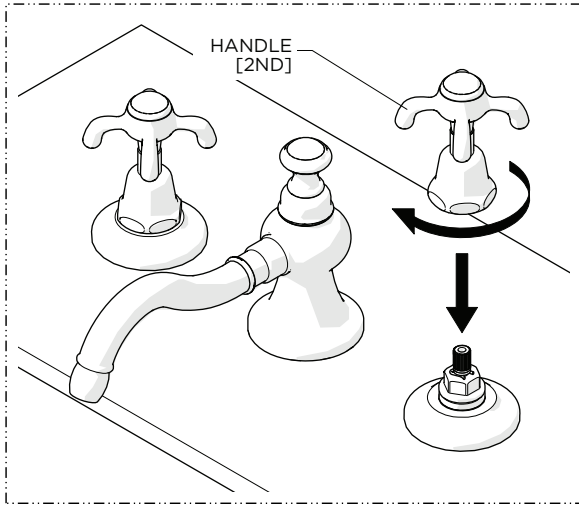


11. With the HANDLE in the desired orientation, thread the GLAND COVER back onto the CARTRIDGE until it stops then unthread the ESCUTCHEON until it contacts the GLAND COVER.

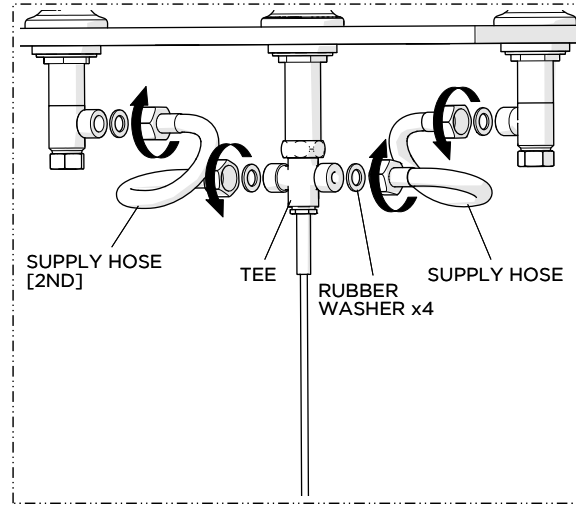


12. Ensure the HANDLE is in the desired orientation then thread and securely tighten the NUT against the underside of the mounting surface.

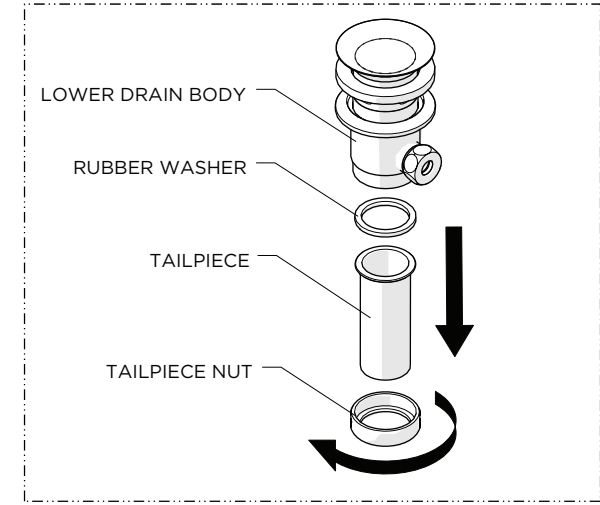
INSTALLATION GUIDELINES



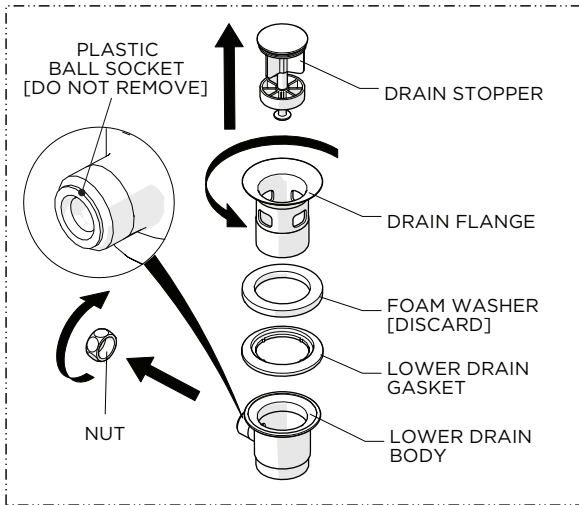
13. Repeat Steps 8 through 12 to install the second HANDLE.



14. Connect the SIDEBODIES to the TEE using the SUPPLY HOSES and RUBBER WASHERS provided. Securely tighten the HOSES and ensure they are not pinched/kinked.

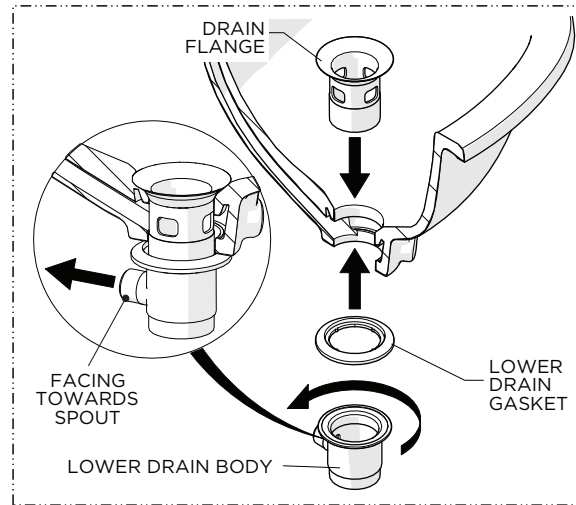


15. Unthread and remove the NUT, TAILPIECE, and the RUBBER WASHER from the LOWER DRAIN BODY.

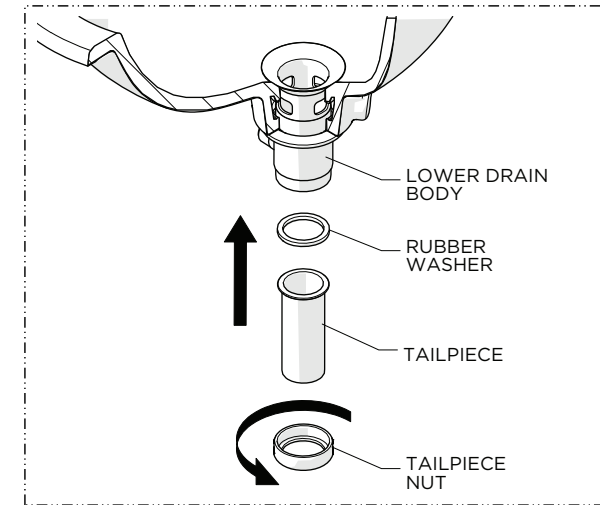


16. Unthread and remove the DRAIN STOPPER, DRAIN FLANGE, LOWER DRAIN GASKET, and NUT from the LOWER DRAIN BODY.

NOTE: Do NOT remove the BALL SOCKET.

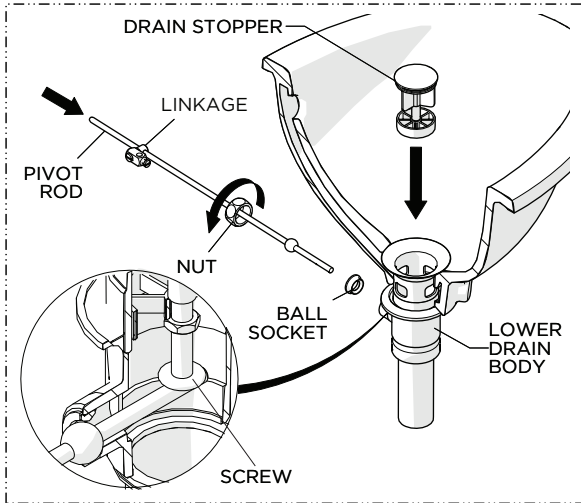


17. Set the DRAIN FLANGE into the lavatory (sold separately) using putty or a clear silicone and attach the LOWER DRAIN GASKET then securely tighten the LOWER DRAIN BODY onto the FLANGE.

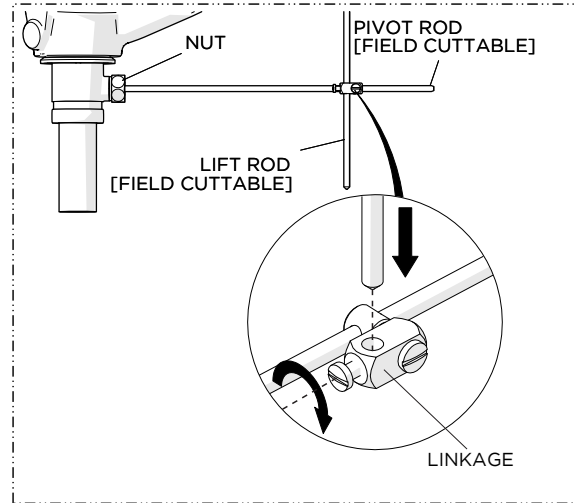


18. Re-attach the TAILPIECE then securely tighten the NUT onto the LOWER DRAIN BODY making sure to include the RUBBER WASHER provided.

INSTALLATION GUIDELINES

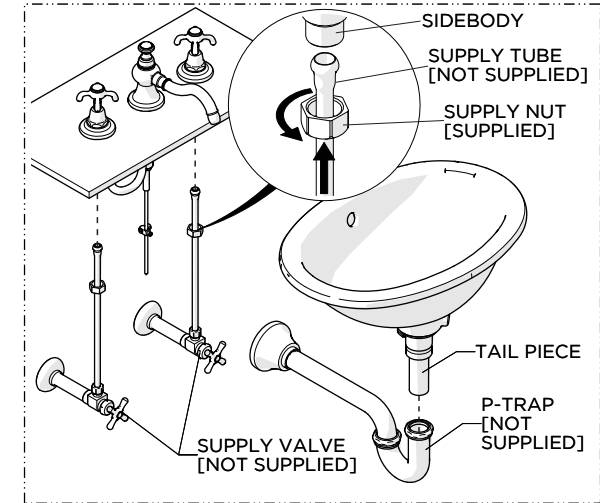


19. Making sure the BALL SOCKET is in place, insert the PIVOT ROD into the DRAIN BODY and securely tighten the NUT then insert the STOPPER into the FLANGE making sure the SCREW rests on top of the PIVOT ROD. Adjust the SCREW if needed.

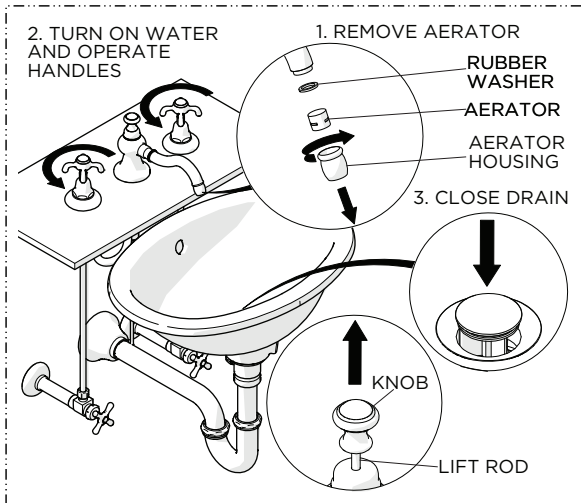


20. Connect the LIFT ROD to the PIVOT ROD using the LINKAGE provided.

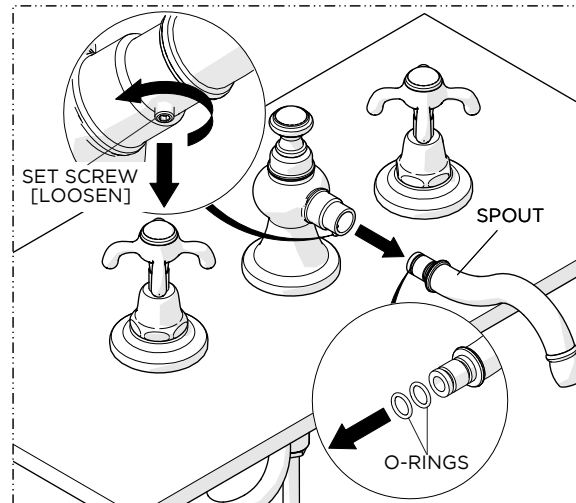
NOTE: Both RODS may be field cut.



21. Make final P-TRAP (sold separately) and SUPPLY VALVE (sold separately) connections.



22. Remove the AERATOR, turn on the water to flush out the supply lines and inspect all connections for leaks, and close the DRAIN to ensure it functions properly. Turn off and drain the water then re-install the AERATOR.



SERVICE OF SPOUT:

1. Loosen the SET SCREW at the base of the SPOUT and pull the SPOUT off to expose the O-RING seals.