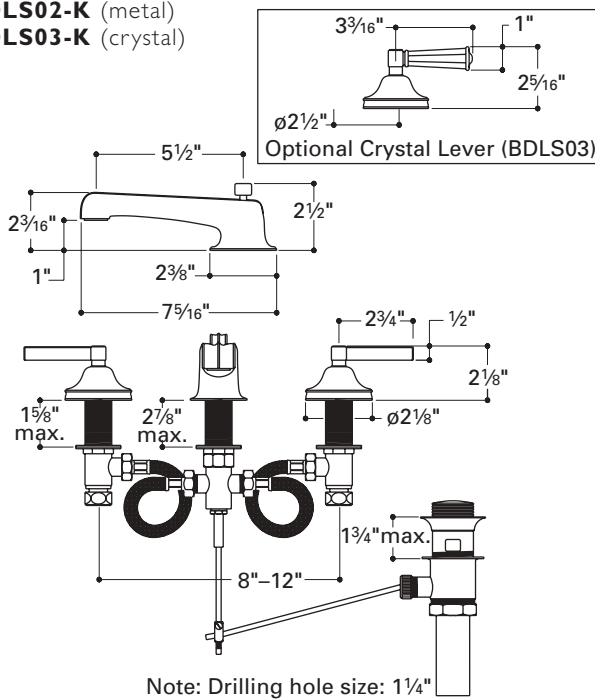


BDLS02-K (metal)
BDLS03-K (crystal)



Note: Drilling hole size: 1 1/4"

Figure 1

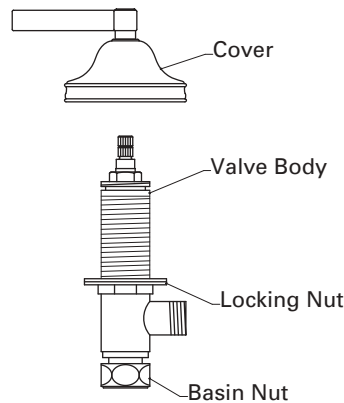
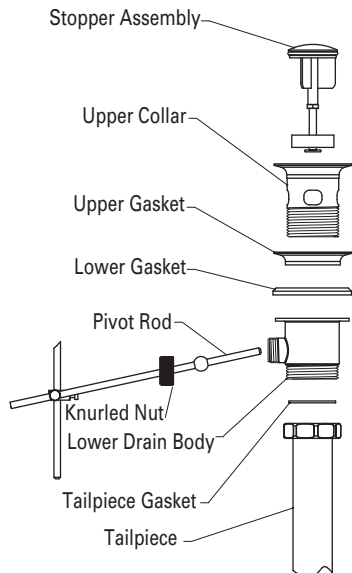


Figure 2



NOTES

- Use only a protected, smooth-jawed, or strap wrench on any finished surface.
- If possible, install this faucet assembly on the lavatory before setting.

INSTALLATION

- To remove the handle trim from the valve body, unscrew the cover and pull off the handle and cover together (see fig. 1).
- DO NOT use putty on deck fittings. Upper and lower washers are provided.
- Insert the valve body through the mounting hole and screw the cover down until fully seated. Then, tighten the bottom locking nut to secure the valve to the deck. Repeat for other valve assembly.
- Remove the locking nut, gasket and tee assembly from the spout shank and insert spout through the mounting hole.
- Re-attach the locking nut and gasket to spout shank and tighten until spout is secured.
- Re-attach the tee assembly, using the gasket provided.
- Install the flexible supply hoses between the valve bodies and the tee assembly.

INSTALLING THE POP-UP DRAIN (see fig. 2)

- Remove the upper collar from the pop-up drain assembly and discard the upper gasket.
- Set the upper collar in the lavatory drain opening, using a clear adhesive silicone.
- Re-attach the lower drain assembly, using the gasket provided. Tighten until fully secured and the side connector is facing towards the wall. A clear adhesive silicone may be used to ensure a water-tight seal between the gasket and lavatory.
- Remove the knurled nut from the side connection of lower drain assembly. Then, insert the horizontal pivot rod and re-attach the knurled nut.
- Insert vertical lift rod through the spout assembly and connect to the horizontal pivot rod using the linkage provided (if necessary, the rods may be field cut).
- To adjust the height of the drain stopper, turn the adjustment screw at the base of the stopper and tighten the locking nut upward to secure.
- Attach the flanged tailpiece to the lower drain assembly using the gasket provided. Then, connect the tailpiece to the P-trap.
- Using the basin nuts provided, attach the water supplies to the hot and cold valve bodies.
- Check all connections for leaks.
- After installation, unscrew and remove the aerator assembly. Carefully open the hot and cold valves fully to flush out any debris in the supply lines. Once the lines have been flushed, close the valves, and reinstall the aerator assembly.
- If further assistance is required, please contact Product Support at: 1-800-927-2120 (8am-7pm EST).