

INSTALLATION GUIDELINES



STYLE No. DSSH10, DS10SH

Dash Wall Mounted 5" Shower Head, Arm and Flange

STYLE No. DSSH1C, DS1CSH

Dash Wall Mounted Arm and Flange

STYLE No. UNSH05

Universal 5" Shower Head with Adjustable Spray

IMPORTANT:

- To ensure this product is installed properly, you must read and follow these guidelines.
- The owner/user of this product must keep this information for future reference.
- This product must be installed by a professional licensed contractor and must be onsite prior to rough-in, this allows the installer to visualize the installation.
- Be sure your installation conforms to federal, state, and local codes. In the State of Massachusetts, all installations must comply with the rules and regulations set forth within 248 CMR.
- Inspect this product to ensure you have all the parts required for proper installation. Product is sold partially assembled but shown fully disassembled for illustrative and service purposes only.
- Use only a strap wrench or protected/smooth-jaw wrench on any finished surface.
- The use of certain plumber's putty may stain stone or tile surfaces.
- If further assistance is required, please contact Product Support at 1-800-927-2120 Monday through Friday, 8am - 6pm EST.
- Refer to the separate Service Parts Documents for available replacement parts.

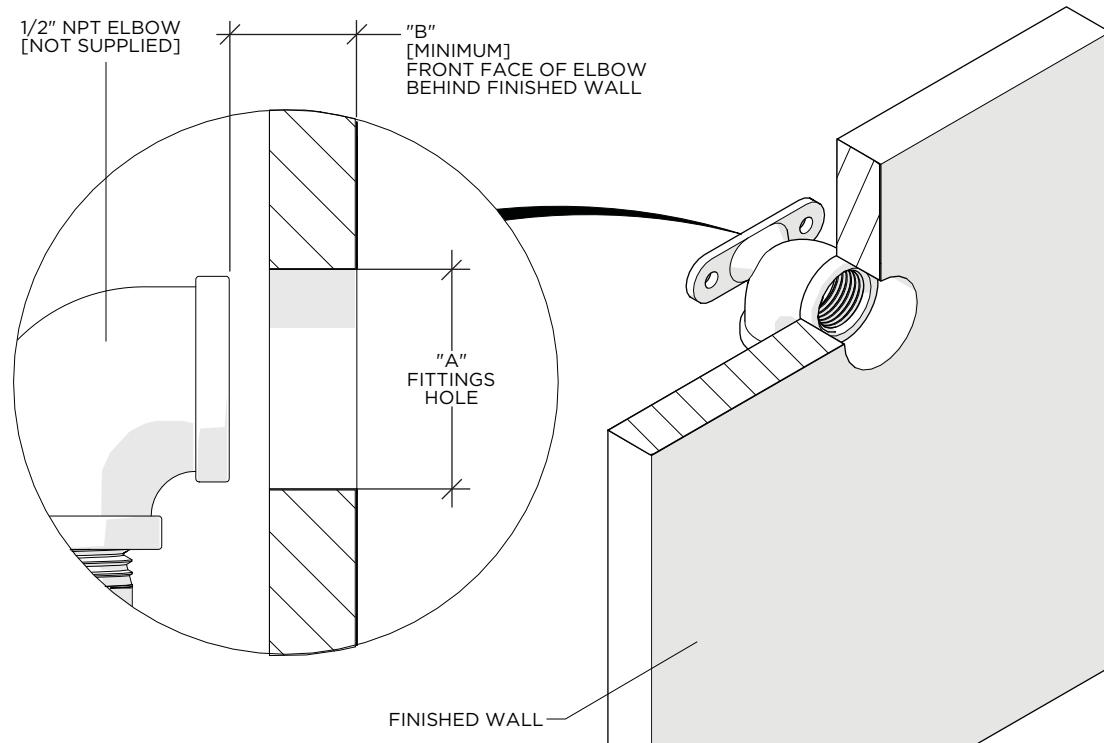
TECHNICAL DETAILS:

ADJUSTABLE VERSUS FIXED SPRAY	ADJUSTABLE
DIAMETER OF HEAD	5-1/8" [130mm]
INLET CONNECTION	1/2" MALE NPT †
INTEGRATED DIVERTER	NO
PIVOT	YES
RESTRICTED MAXIMUM FLOW RATE	2.5gpm [9.5L/min]
WATER PRESSURE RANGE	20psi [1.5 bar] MIN 85psi [6.0 bar] MAX
WATER PRESSURE RECOMMENDED	45psi [3.0 bar]

† UK Style No. **DS10SH** and **DS1CSH** are supplied with 1 **BSPP** adapter, assembly required.

ROUGH-IN:

- Determine the ideal location for the SHOWER HEAD and rough-in a well supported 1/2" NPT ELBOW (not supplied) to the appropriate depth.



DIMENSION	VALUE
A	1-1/4" [32mm]
B	1/4" [6mm] MINIMUM

WATERWORKS

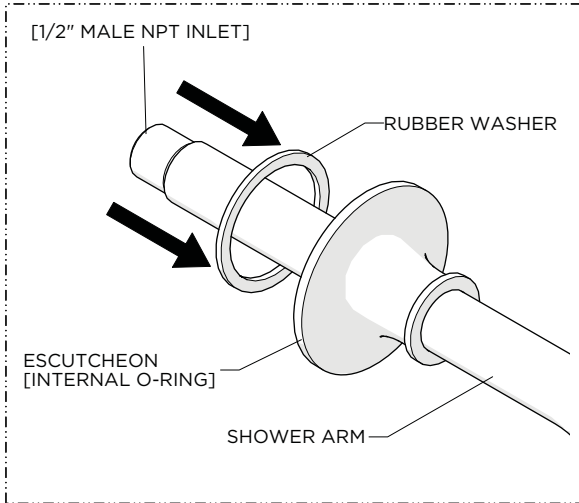
INSTALLATION GUIDELINES



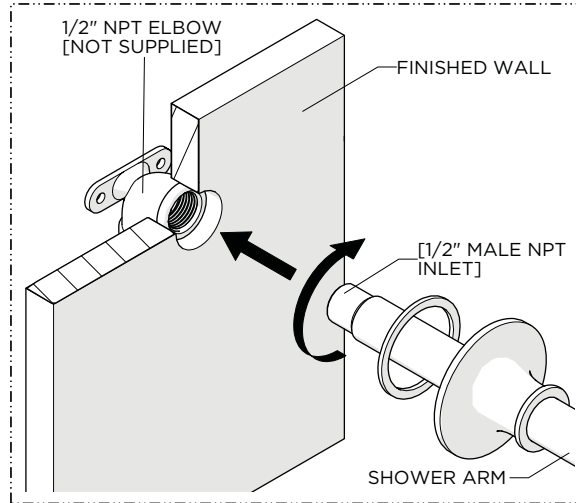
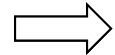
STYLE No. DSSH10, DS10SH
Dash Wall Mounted 5" Shower Head,
Arm and Flange

STYLE No. DSSH1C, DS1CSH
Dash Wall Mounted Arm and Flange

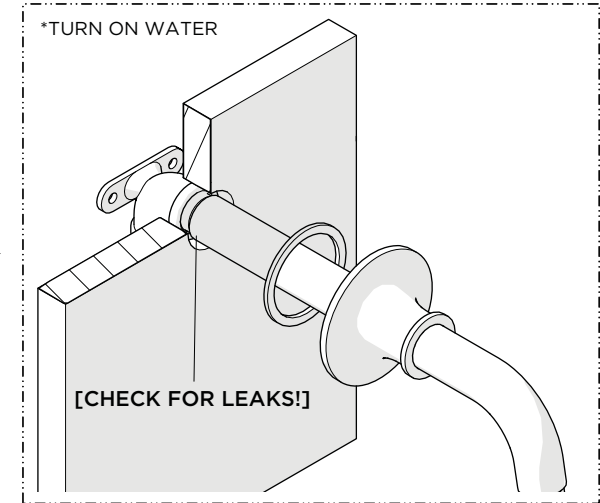
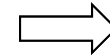
STYLE No. UNSH05
Universal 5" Shower Head with Adjustable Spray



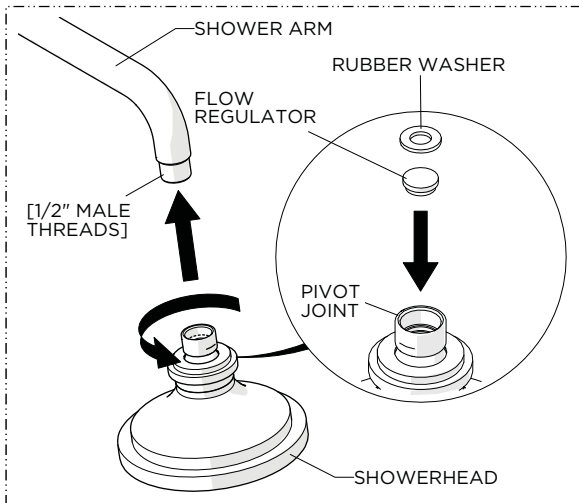
1. Slide the ESCUTCHEON and RUBBER WASHER onto the SHOWER ARM.



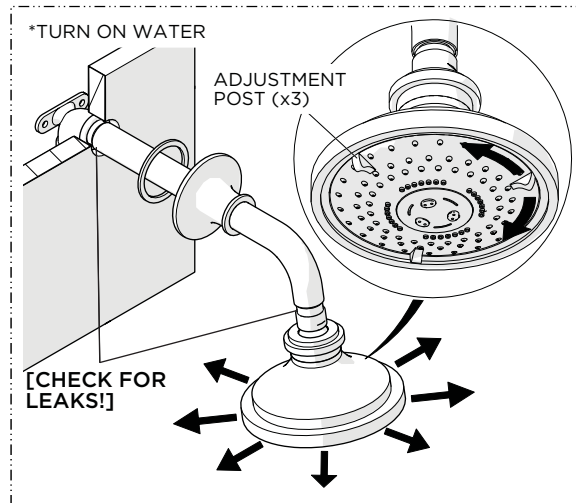
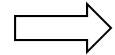
2. Making sure the ELBOW (not supplied) is properly roughed-in, thread and securely tighten the SHOWER ARM into the ELBOW.



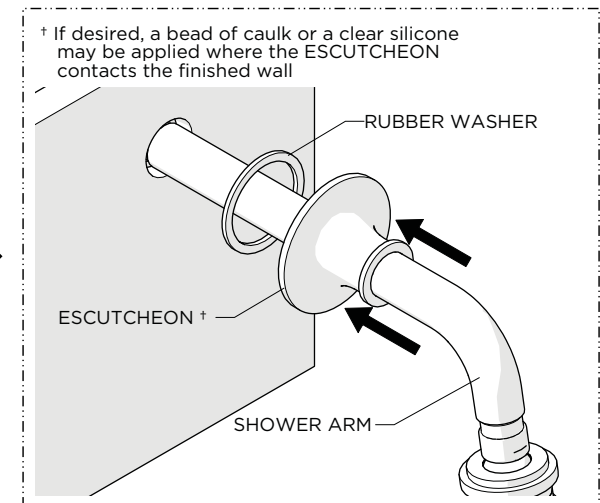
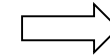
3. Turn on the water and a diverter/wall valve (sold separately) to flush out any debris in the supply line and inspect all connections for leaks then turn the water off.



4. Insert the RUBBER WASHER into the PIVOT JOINT on the SHOWER HEAD then thread and securely tighten the PIVOT JOINT onto the SHOWER ARM.



5. Turn on the water and operate the SHOWER HEAD to ensure it pivots and functions properly. Inspect all connections for leaks then turn the water off.



6. Slide the ESCUTCHEON along the SHOWER ARM until it contacts the finished wall.

NOTE: A FLOW REGULATOR is located inside the PIVOT JOINT.