

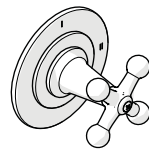
INSTALLATION GUIDELINES

IMPORTANT:

- To ensure this product is installed properly, you must read and follow these guidelines.
- The owner/user of this product must keep this information for future reference.
- This product is intended to work with a Universal Diverter Valve without Shutoff (SOLD SEPARATELY). Refer to the Installation Guidelines provided with the VALVE for complete rough-in installation details.
- This product must be installed by a professional licensed contractor and must be onsite prior to rough-in, this allows the installer to visualize the installation.
- Be sure your installation conforms to federal, state, and local codes. In the State of Massachusetts, all installations must comply with the rules and regulations set forth within 248 CMR.
- Inspect this product to ensure you have all the parts required for proper installation. Product is sold partially assembled but shown fully disassembled for illustrative and service purposes only.
- Use only a strap wrench or protected/smooth-jaw wrench on any finished surface.
- The use of certain plumber's putty may stain stone or tile surfaces.
- If further assistance is required, please contact Product Support at 1-800-927-2120 Monday through Friday, 8am - 6pm EST.
- Refer to the separate Service Parts Documents for available replacement parts.

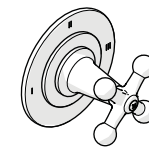
REQUIRED PLUMBING DETAILS:

- Universal Two Way Diverter Valve without Shutoff for Pressure Balance Shower Systems
STYLE No. **GUDV23** (DS2P01) or,
- Universal Three Way Diverter Valve without Shutoff for Pressure Balance Shower Systems
STYLE No. **GUDV65** (DS3P01)



STYLE No. DS2P01

Dash Two Way Pressure Balance Diverter Valve Trim with Roman Numerals and Metal Cross Handle



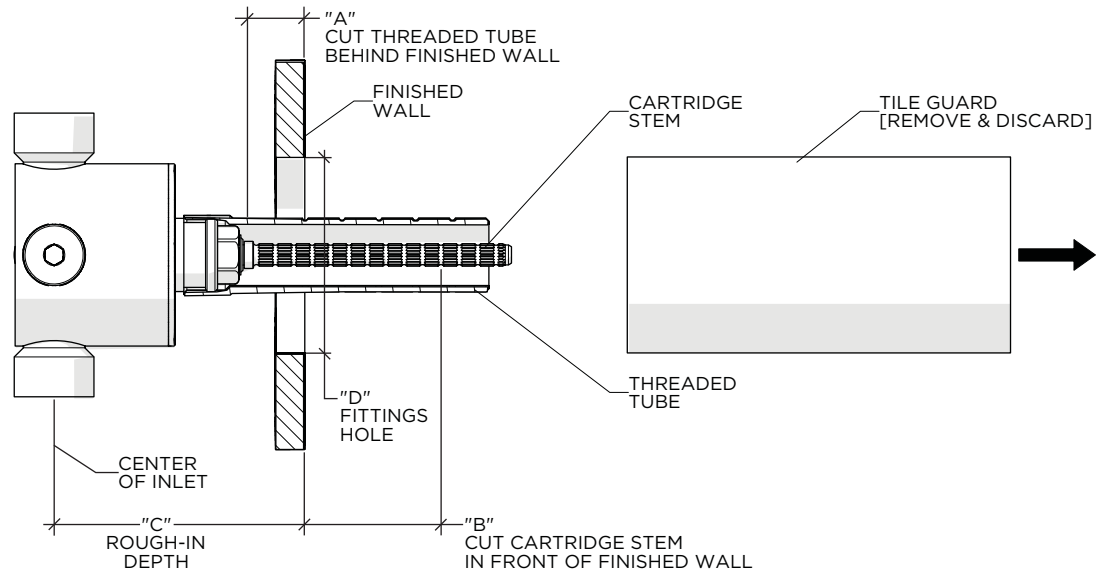
STYLE No. DS3P01

Dash Three Way Pressure Balance Diverter Valve Trim with Roman Numerals and Metal Cross Handle

ROUGH-IN AND VALVE PREPARATION:

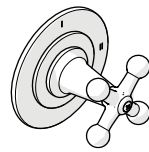
- **CAUTION:** If the VALVE is roughed-in too shallow, the TRIM cannot be installed correctly.
- **CAUTION:** Mark and remove the THREADED TUBE before cutting. Do NOT cut the end with the internal threads.

| DIMENSION | VALUE |
|-----------|--|
| A | 3/8" [10mm] |
| B | 1/2" [13mm] |
| C | 3-1/4" [83mm] MIN - 5-1/4" [133mm] MAX |
| D | Ø2-1/2" [64mm] |



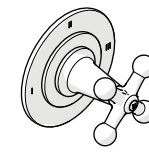
[GUDV23 SHOWN]

INSTALLATION GUIDELINES



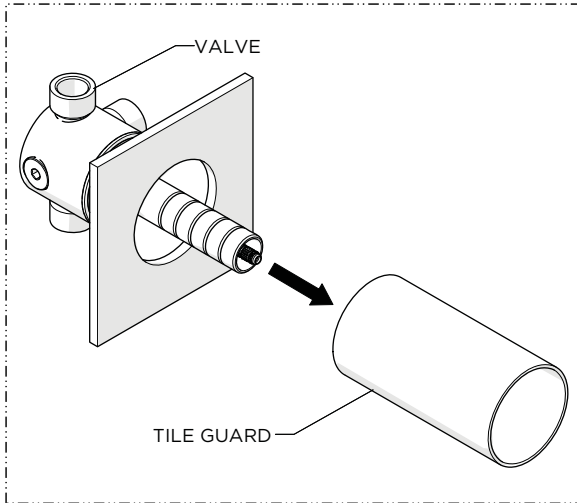
STYLE No. DS2P01

Dash Two Way Pressure Balance Diverter Valve Trim with Roman Numerals and Metal Cross Handle

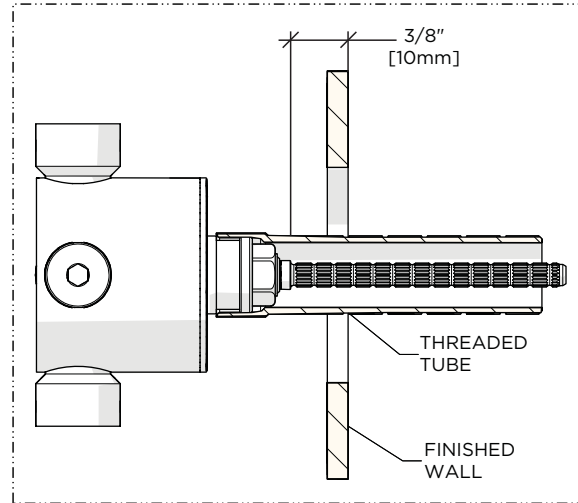


STYLE No. DS3P01

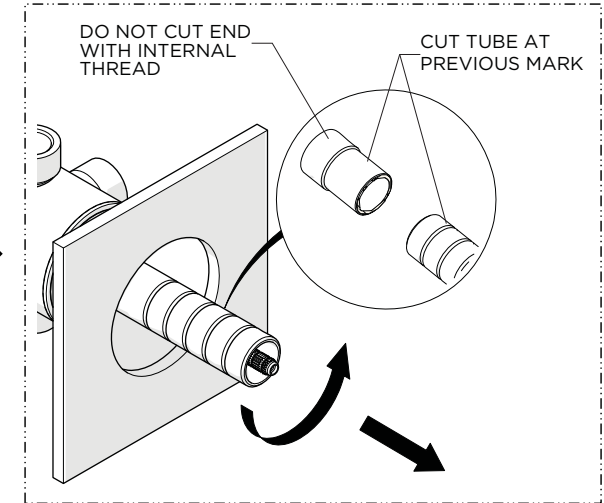
Dash Three Way Pressure Balance Diverter Valve Trim with Roman Numerals and Metal Cross Handle



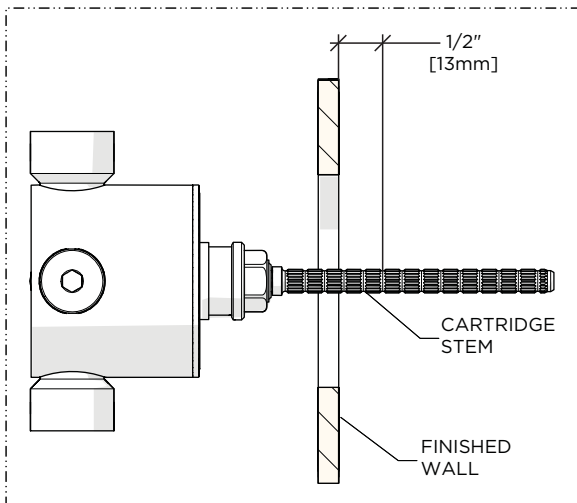
1. Remove the TILE GUARD from the VALVE.



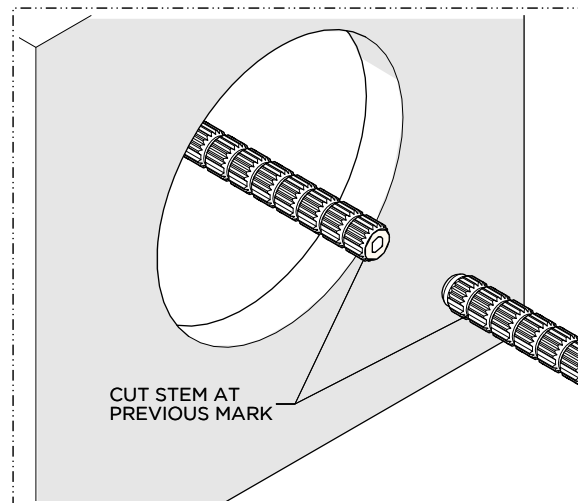
2. Mark the THREADED TUBE 3/8" [10mm] behind the finished wall.



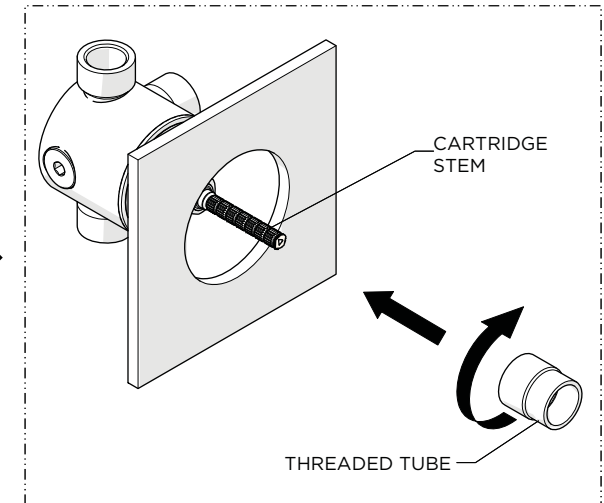
3. Remove then cut the THREADED TUBE at the previous mark. Do NOT cut the end with the internal threads.



4. Mark the CARTRIDGE STEM 1/2" [13mm] beyond where it protrudes from the finished wall.

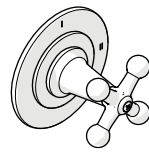


5. Cut the CARTRIDGE STEM at the previous mark.



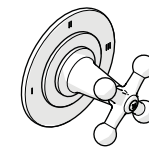
6. Thread the THREADED TUBE back onto the VALVE.

INSTALLATION GUIDELINES



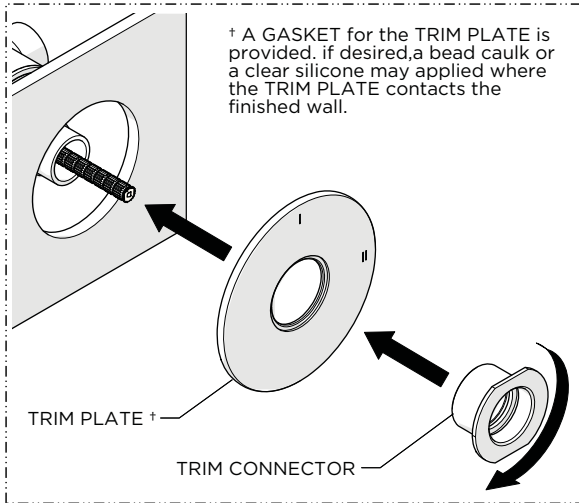
STYLE No. DS2P01

Dash Two Way Pressure Balance Diverter Valve Trim with Roman Numerals and Metal Cross Handle

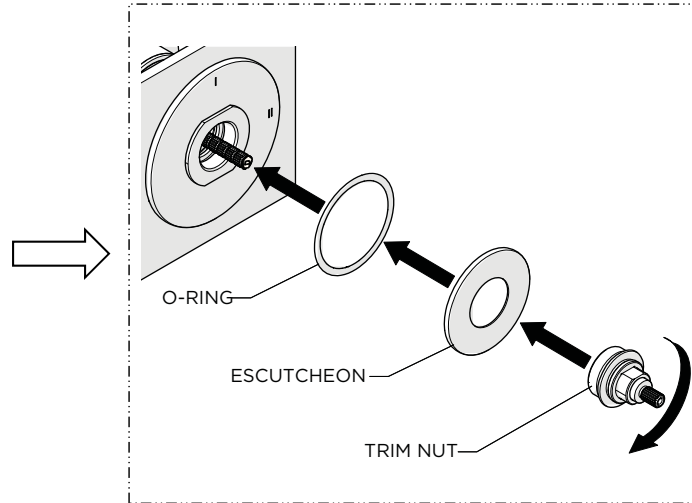


STYLE No. DS3P01

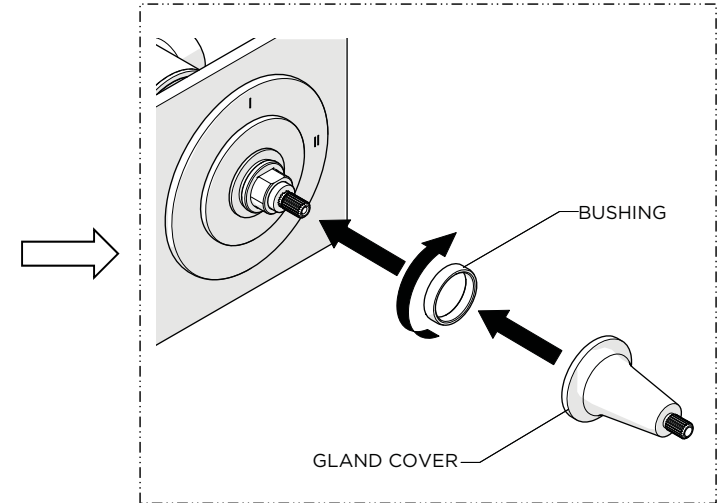
Dash Three Way Pressure Balance Diverter Valve Trim with Roman Numerals and Metal Cross Handle



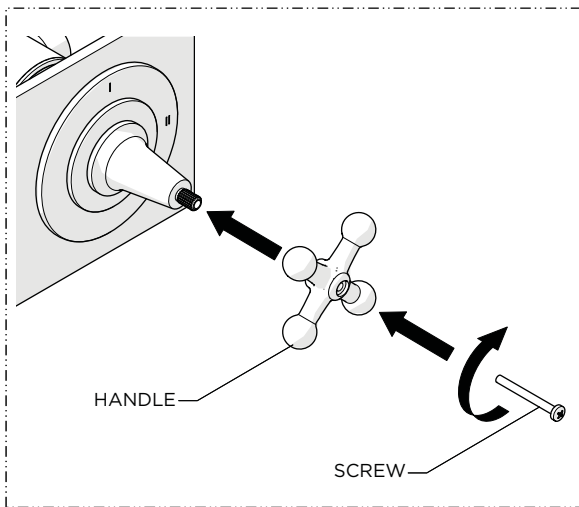
7. Hold the TRIM PLATE against the finished wall then thread and securely tighten the TRIM CONNECTOR.



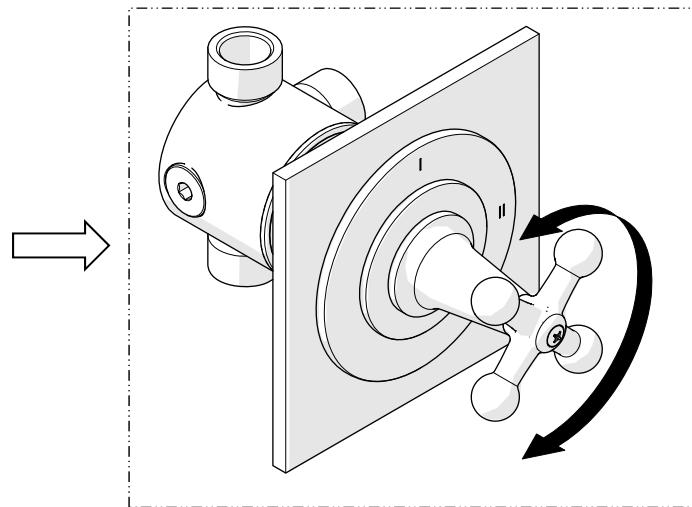
8. Hold the ESCUTCHEON against the TRIM PLATE making sure to include the O-RING then thread and securely tighten the TRIM NUT onto the TRIM CONNECTOR.



9. Thread the PLASTIC BUSHING onto the TRIM NUT then place the GLAND COVER over the TRIM NUT making sure it is fully seated.



10. Place the HANDLE onto the GLAND COVER in the desired orientation then thread and securely tighten the SCREW.



11. Turn on the water and operate the HANDLE to ensure it is functioning properly.