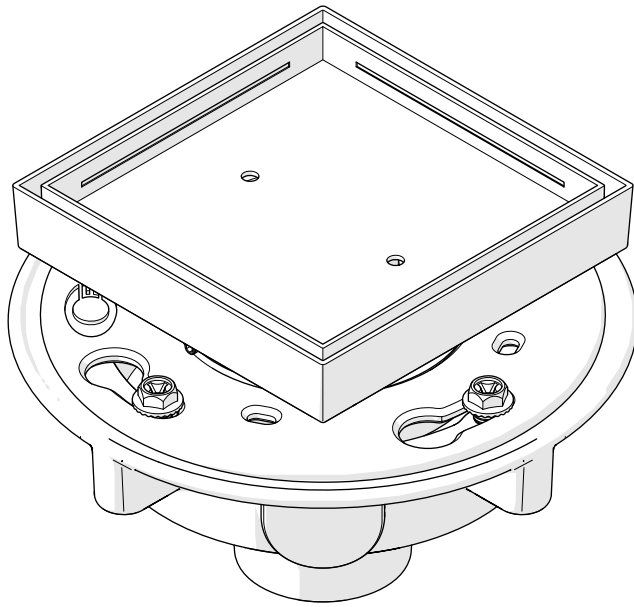


STYLE No. UNSD06



SPECIFICATIONS:

Outlet Connection: 2"
Outlet Connection Type: No Hub
Outlet Flow Rate: 10gpm

IMPORTANT:

- To ensure this product is installed properly, you must read and follow these guidelines.
- The owner/user of this product must keep this information for future reference.
- This product must be on-site prior to rough-in. This allows the installer to visualize the installation and verify the center spread.
- This product must be installed by a professional licensed contractor.
- Be sure your installation conforms to all federal, state, and local codes.
- In the State of Massachusetts, all installations must comply with the rules and regulations set forth within 248 CMR.
- Refer to the specification and assembly drawings attached. Product is sold partially assembled but shown fully disassembled for illustrative and service purposes only.
- Inspect the product to ensure you have all the parts required for proper installation.

- Use only a strap wrench or protected/smooth-jaw wrench on any finished surface.
- DO NOT use putty. Putty contains oil and can cause permanent discoloration on certain materials such as marble, granite and any porous surface.

INSTALLATION:

- All images show a wood sub-floor installation.
- For wood sub-floor installations:
 - Install adequate blocking to properly support the DRAIN BODY and strap the drain pipe.
 - Cut a $\text{Ø}6\text{-}1/4\text{'}$ hole in the sub-floor to properly support the DRAIN BODY.
 - The throat of the DRAIN BODY should pass through the sub-floor and the flange of the DRAIN BODY should rest on the sub-floor. See Figure - 01.

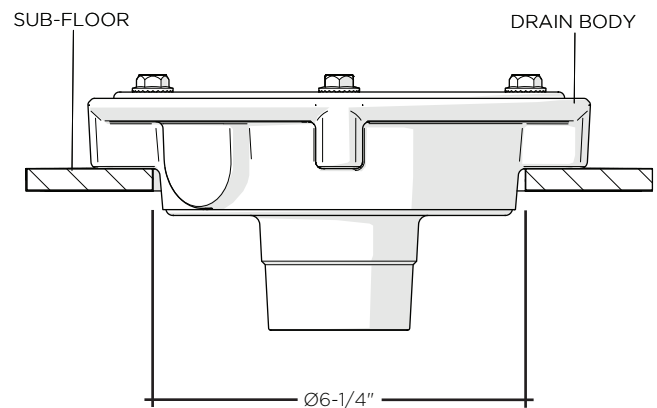


FIGURE -01

- For concrete sub-floor installations:
 - Backfill with dirt and concrete around the DRAIN BODY.
 - 1. Connect the DRAIN BODY to the pre-installed drain pipe (not supplied). It may be necessary to trim the drain pipe to obtain the proper final installation height.
 - 2. Perform a leak test conforming to all federal, state, and local codes.
 - 3. Loosen the BOLTS and remove the CLAMPING COLLAR from the DRAIN BODY. See Figure - 02.
 - 4. Apply mortar or similar material over the sub-floor pitched at a $1/4\text{'}$ per linear foot slope. The slope should begin at the shower walls and end at the DRAIN BODY. The mortar bed should be flush with the top of the DRAIN BODY.
- Do not apply mortar over the DRAIN BODY and take care to keep the drain opening free of any debris.

These guidelines have been prepared for the professional contractor to aid in the installation of:
UNIVERSAL TILE-IN SHOWER DRAIN 6" x 6" (STYLE No. UNSD06)
All dimensions are based on original specification and are subject to change and variation.
Please consult your Design Associate for current specifications.

WATERWORKS

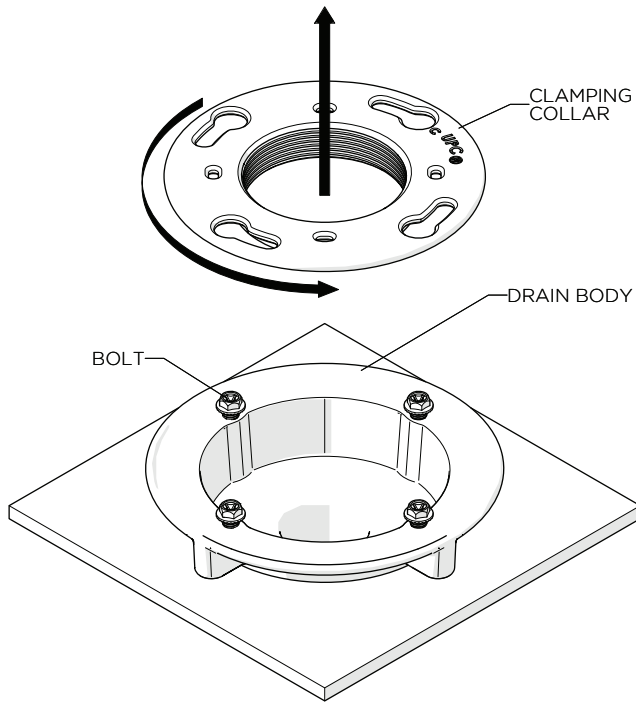


Figure - 02

5. Install a waterproof membrane over the sloped mortar bed. The waterproof membrane must be installed per the manufactures instructions conforming to all federal, state, and local codes.
6. Cut the waterproof membrane to expose the BOLTS and drain opening then re-attach the CLAMPING COLLAR either up or down and tighten the BOLTS. Ensure that the WEEP HOLES on the CLAMPING COLLAR are open and free of any excess waterproof membrane material.

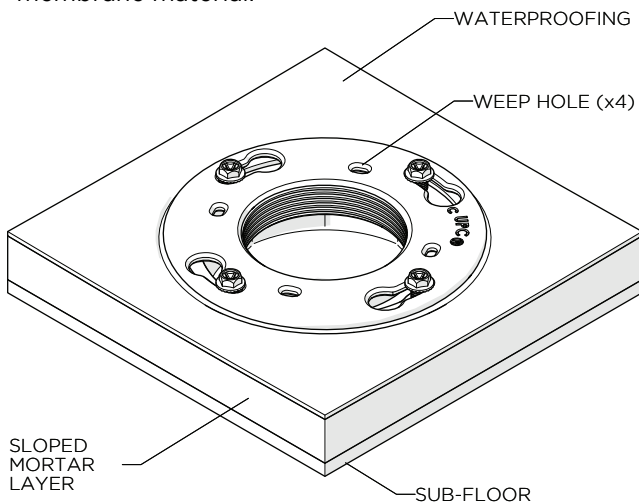


Figure - 03

- The CLAMPING COLLAR can be positioned either up or down. In the up position an additional 7/8" in height is obtained.

7. Perform a leak test of the waterproof membrane as described by the manufacturer and conforming to all federal, state, and local codes.
8. Thread the STRAINER BODY into the CLAMPING COLLAR to the desired height.

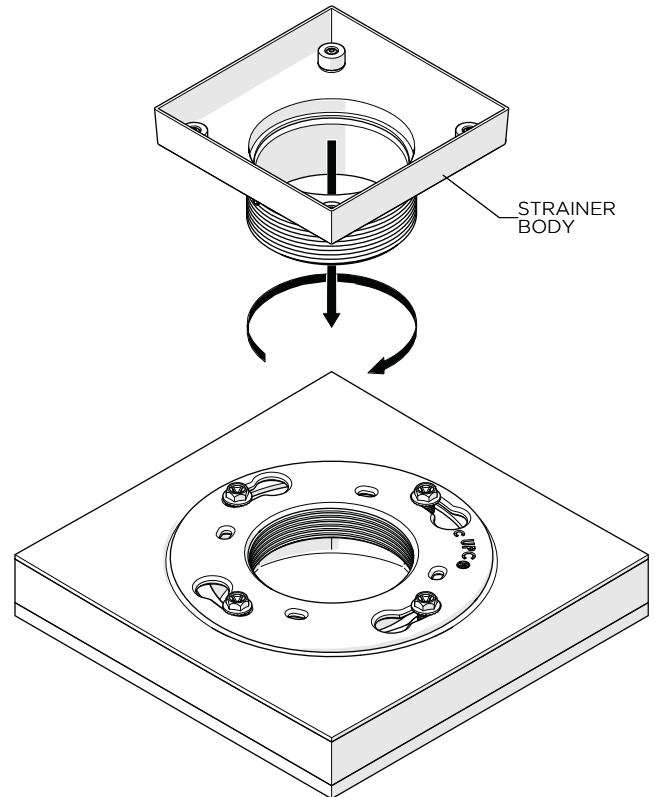


Figure - 04

- One complete rotation is equal to 1/8" in vertical height
9. Place some pea gravel around the WEEP HOLES to prevent mortar from blocking them.
 - It is necessary that the WEEP HOLES are open and free of building material to allow for proper water seepage.
 10. Apply a second mortar bed to the top of the waterproof membrane and DRAIN ASSEMBLY, taking into account the thickness of the thinset and finished floor. See Figure - 05.

These guidelines have been prepared for the professional contractor to aid in the installation of:
UNIVERSAL TILE-IN SHOWER DRAIN 6" x 6" (STYLE No. UNSD06)
All dimensions are based on original specification and are subject to change and variation.
Please consult your Design Associate for current specifications.

WATERWORKS

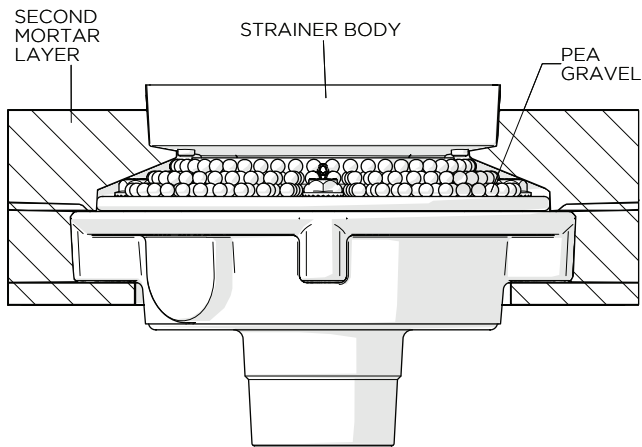


Figure - 05

11. Apply the thinset and install the finished floor.
12. Apply an appropriate amount of thinset into the TILE COVER to obtain the same height as the surrounding finished floor then install a square piece of finished floor material into the TILE COVER.

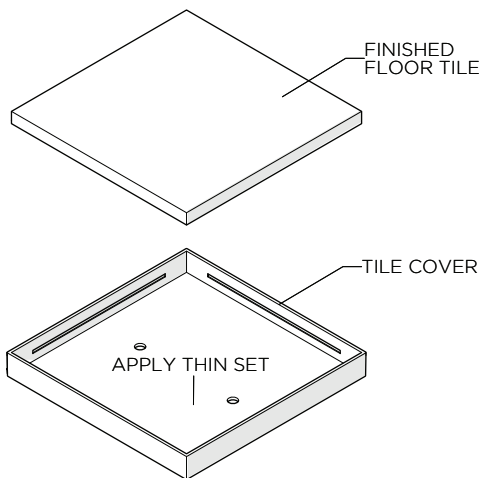


Figure - 06

13. Place the DRAIN STRAINER into the STRAINER BODY then place the TILE COVER into the STRAINER BODY. See Figure - 07.
- If further assistance is required, please contact Product Support at 1-800-927-2120 Ext 2 Monday through Friday, 8am - 6pm EST.
 - See the service part document for parts ordering, available on WATERWORKS.COM.
 - * Putty contains oil and can cause permanent discoloration on certain materials such as marble, granite and any porous surface.

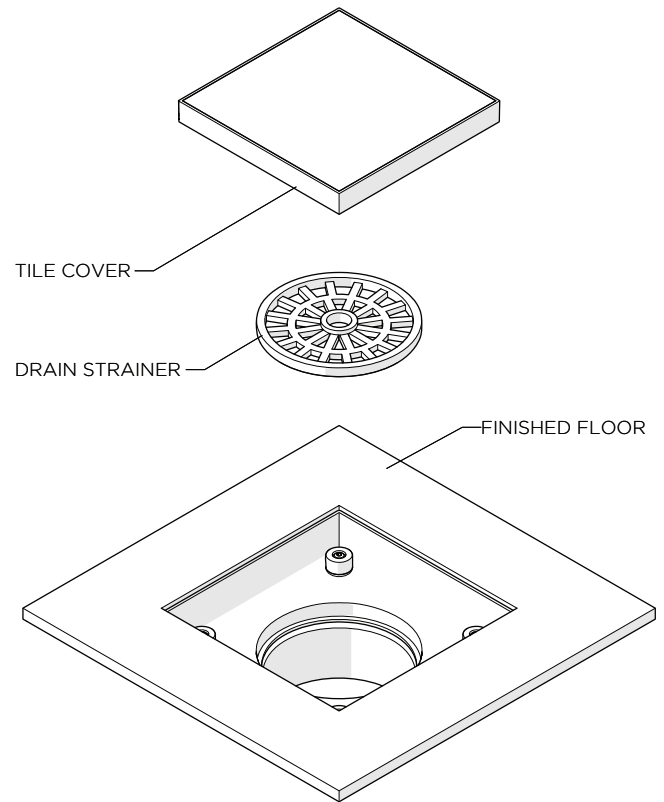


Figure - 07

These guidelines have been prepared for the professional contractor to aid in the installation of:
UNIVERSAL TILE-IN SHOWER DRAIN 6" x 6" (STYLE No. UNSD06)
All dimensions are based on original specification and are subject to change and variation.
Please consult your Design Associate for current specifications.

WATERWORKS