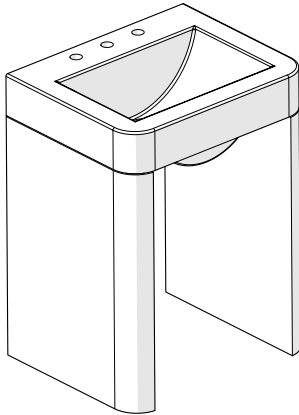


Beekman Washstand
Style No. BKWS01

**Specifications:**

Primary Material: Marble

Fitting Hole Depth: 1"

Fitting Hole Diameter: 1³/₈"

Fitting Hole Spread: 9"

Recommended Rough-in Supply Height: 21"

Recommended Rough-in Waste Height: 19"

Weight: 661 lbs.

WARNING: THIS WASHSTAND IS VERY HEAVY. IT IS STRONGLY RECOMMENDED THAT 2 OR MORE PERSONS INSTALL THIS UNIT.

- To ensure this product is installed properly, you must read and follow these guidelines.
- The owner/user of the washstand must keep this information for future reference.
- Be sure your installation conforms to local codes.
- This product must be installed by a professional contractor.
- Refer to the specifications and assembly drawings attached.
- Inspect this product, upon receiving, to assure it is the correct model and you have all the parts required for proper installation.
- Take all necessary precautions to ensure that this washstand is protected during installation.
- Ensure that the floor is level and that there is proper floor support to accommodate this heavy washstand.

- Proper wall support is required to attach the wall brackets. See Figure 1.

WASHSTAND INSTALLATION
(See Figure 1 for steps 1-6)

1. Install the L- BRACKETS to the LEFT LEG & RIGHT LEG at the pre-installed marble anchors using the WASHERS & MARBLE SCREWS supplied.
2. Drill pilot holes in the wall at the center-to-center dimensions of the L-BRACKETS & WALL CLIPS for the legs and the sink. Install plastic WALL ANCHORS if no stud is present.
3. Install WALL CLIPS to the wall at the pilot holes using the WASHER & WALL SCREWS.
4. Carefully position the legs at 26" apart from each other, end to end, against the wall. Install WASHERS & WALL SCREWS to secure legs. Note: The reveal cutout on the legs should be on the top edge.
5. Carefully position the BEEKMAN SINK on top of the legs and slide it back toward the wall.
6. Install MARBLE SCREWS & WASHERS to secure BEEKMAN SINK to WALL CLIPS & L-BRACKETS.

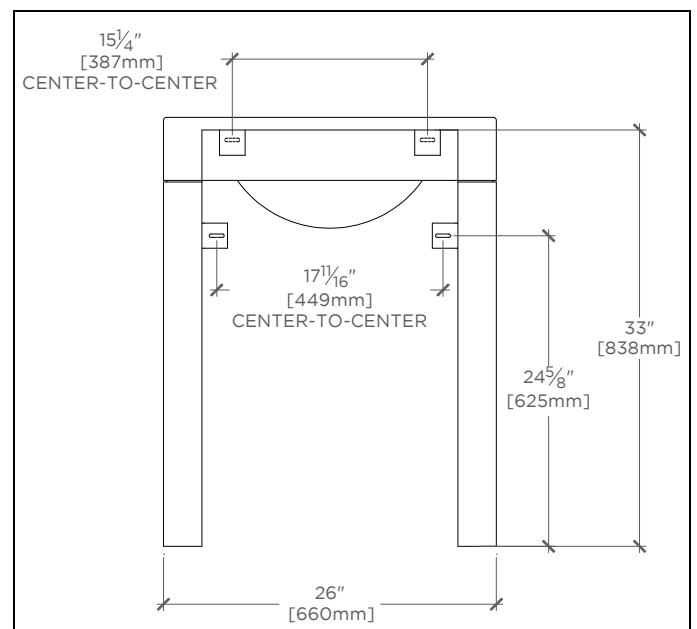
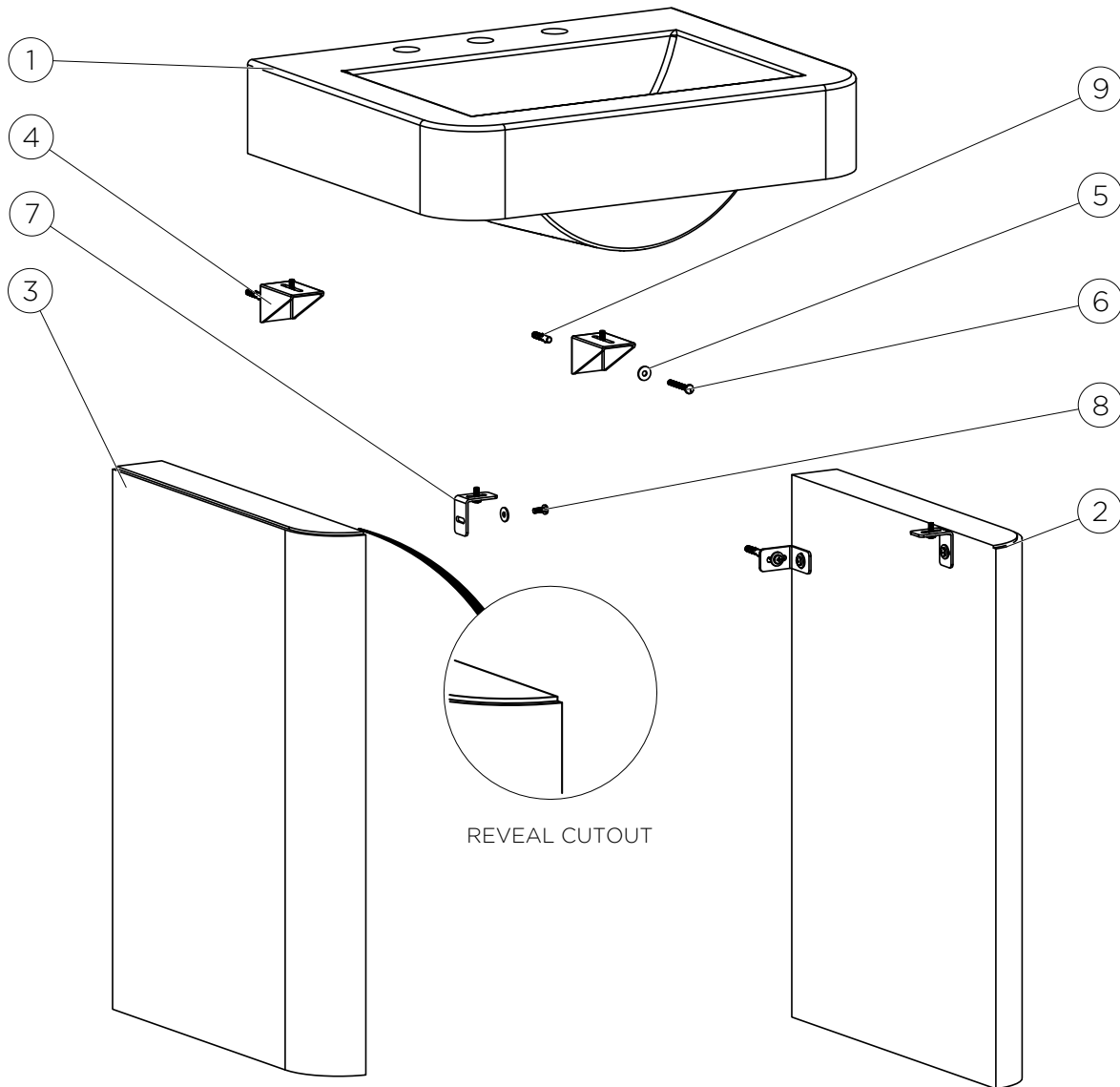


Figure 1

- If further assistance is required, please contact Product Support at 1-800-927-2120 (9am-6pm EST).

These guidelines have been prepared for the professional contractor to aid in the installation of: BEEKMAN WASHSTAND (STYLE # BKWS01)
All dimensions are based on original specification and are subject to change and variation.
Please consult your Design Associate for current specifications.

WATERWORKS



Part	Description	QTY
1	BEEKMAN SINK	1
2	RIGHT LEG	1
3	LEFT LEG	1
4	WALL CLIP	2
5	WASHER	12
6	WALL SCREW	4
7	L-BRACKET	4
8	MARBLE SCREW	8
9	WALL ANCHOR	4

These guidelines have been prepared for the professional contractor to aid in the installation of:
 BEEKMAN WASHSTAND (STYLE # BKWS01)
 All dimensions are based on original specification and are subject to change and variation.
 Please consult your Design Associate for current specifications.

WATERWORKS