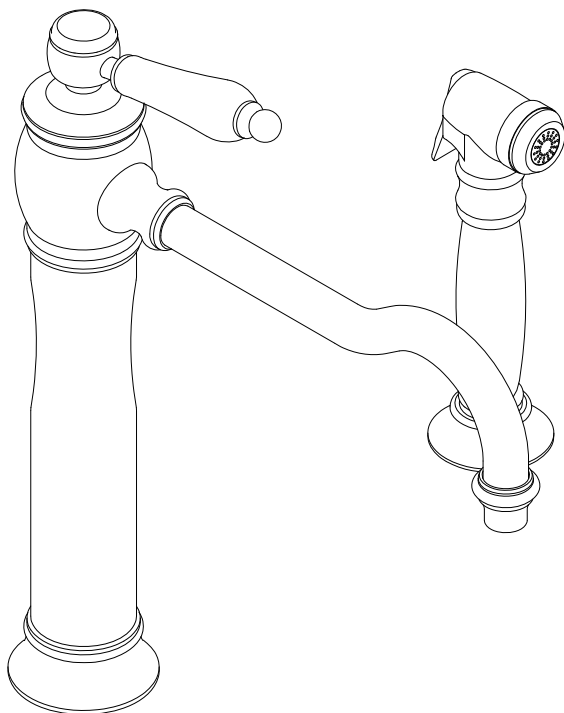


**STYLE No:** JUKM09



- Refer to the specification and assembly drawings attached. Product is sold partially assembled but shown fully disassembled for illustrative and service purposes only.
- Inspect this product to ensure you have all parts required for proper installation.
- Use only a strap wrench or protected/smooth-jaw wrench on any finished surface.
- DO NOT use putty on deck fittings. Upper and lower washers are provided.

### **SPOUT AND DIVERTER INSTALLATION:**

1. Remove the mounting hardware (20-22) from the spout shank (18).
2. Insert the spout assembly (1-29) through the hole on the mounting surface, making sure the upper gasket (19) is beneath the escutcheon (17).
3. Re-attach the mounting hardware to the spout and tighten the nut (22) to secure the spout to the mounting surface.
4. Attach the valve inlet hose (29) to the 1/2" port on the diverter assembly (30-33).
5. Attach the valve outlet hose (27) to the 3/8" port on the diverter assembly (30-33), making sure the washer (28) is in the hose.

### **SPRAY INSTALLATION:**

6. Remove the mounting hardware (46-48) from the spray return (44). Do not remove both gaskets.
7. Insert the spray return through the hole on the mounting surface making sure a gasket (46) is beneath the escutcheon (45).
8. Re-attach the mounting hardware (46-48) and tighten the nut (48) to secure the return to the mounting surface.
9. Connect the conical end of the spray hose (43) to the side spray (34-41), making sure the washer (42) is in the hose.
10. Insert the hex end of the spray hose (43) through the spray return (44).
11. Connect the spray hose (43) to the diverter assembly (30-33), making sure the washer (28) is in the hose.

### **SPECIFICATIONS:**

Hot Limit Safety Stop: Yes  
Inlet Connection Size: 3/8"  
Inlet Connection Type: Straight Female Threads  
Maximum Deck Thickness: 1 7/8"  
Maximum Water Pressure: 80psi  
Minimum Water Pressure: 20psi  
Fittings Hole Diameter: 1 1/2"  
Recommended Water Pressure: 45psi  
Restricted Maximum Flow Rate: 2.2gpm  
Spout Reach: 9 5/16"  
Spout Swivel: Yes

### **IMPORTANT:**

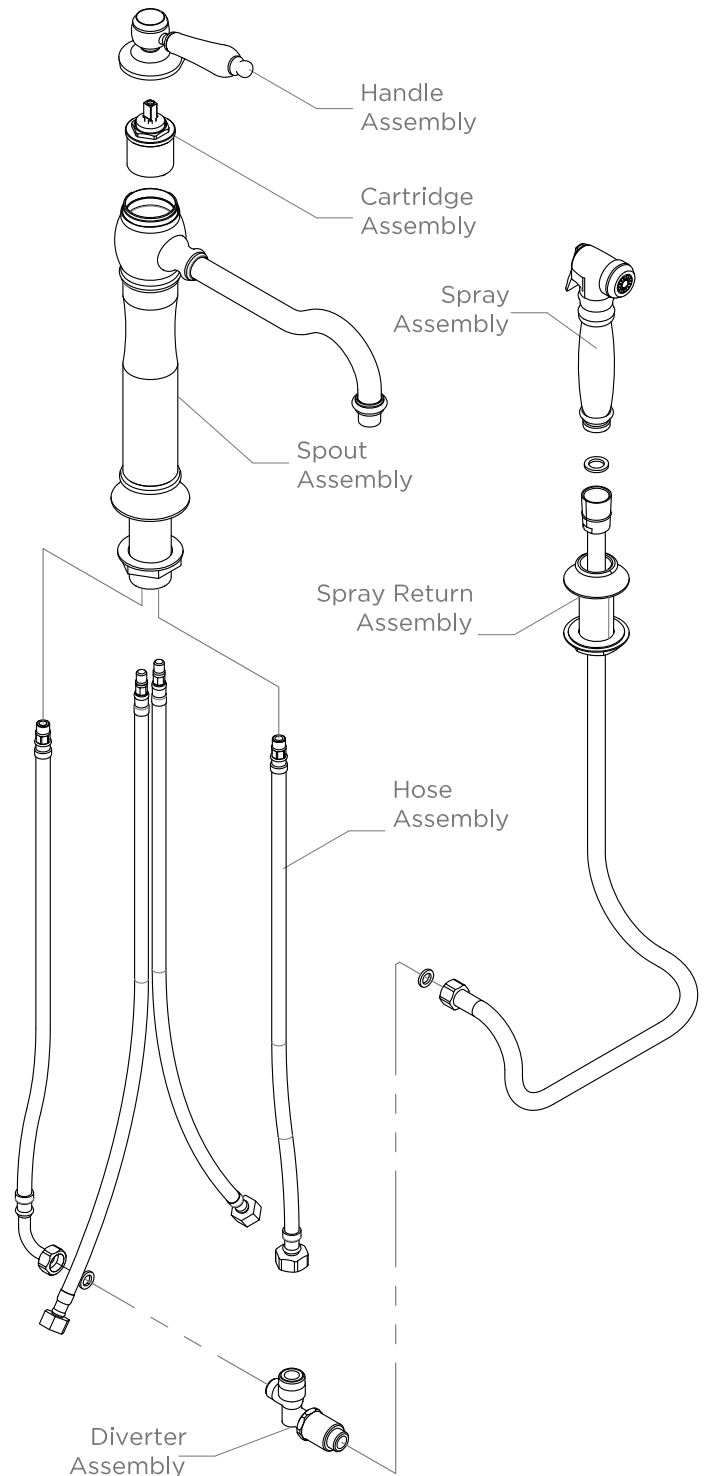
- To ensure this product is installed properly, you must read and follow these guidelines.
- The owner/user of this product must keep this information for future reference.
- Be sure your installation conforms to all federal, state, and local codes.
- In the State of Massachusetts, all installations must comply with the rules and regulations set forth within 248 CMR.
- This product must be installed by a professional licensed contractor.

These guidelines have been prepared for the professional contractor to aid in the installation of:  
**JULIA BRIDGE TWO HOLE KITCHEN MIXER WITH METAL LEVER HANDLE (STYLE # JUKM09).**  
All dimensions are based on origin specification and are subject to change and variation.  
Please consult your Design Associate for current specifications.

## **WATERWORKS**

## **INSPECT THE INSTALLATION:**

12. Remove the aerator (24) from the spout (11) then carefully open the valve to flush out any debris in the supply lines. DO NOT operate the side spray prior to flushing out the supply lines.
  13. Inspect all connections for leaks.
  14. Operate the side spray to ensure proper function.
  15. Close the valve and re-install the aerator.
  16. The cartridge includes an integrated hot limit safety stop. Remove the handle assembly (1-8) to expose the cartridge (10) then adjust the red collar on the cartridge to the desired temperature.
- If further assistance is required, please contact Product Support at 1-800-927-2120 (9am-6pm EST).

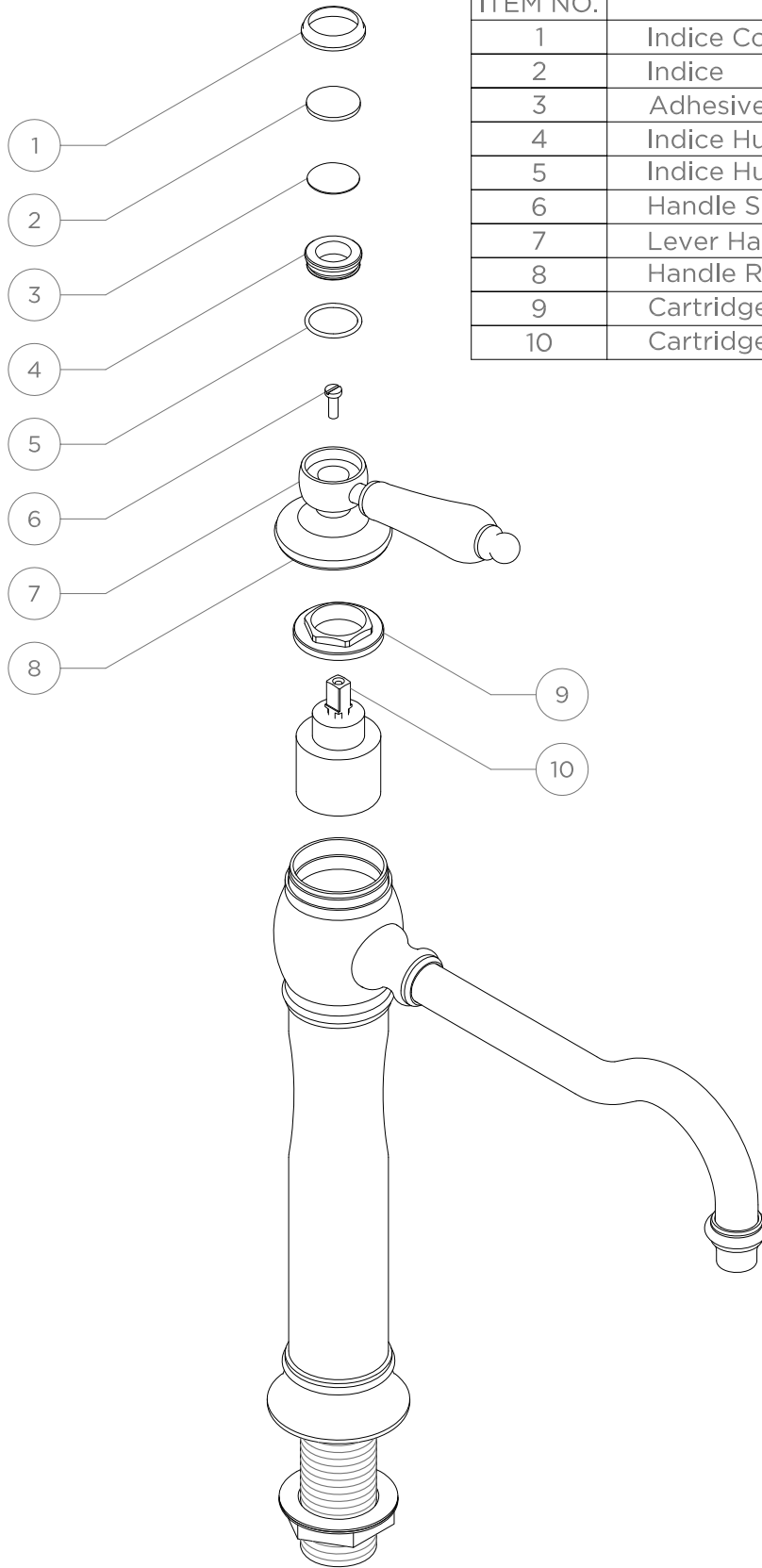


These guidelines have been prepared for the professional contractor to aid in the installation of: **JULIA BRIDGE TWO HOLE KITCHEN MIXER WITH METAL LEVER HANDLE (STYLE # JUKM09)**. All dimensions are based on origin specification and are subject to change and variation. Please consult your Design Associate for current specifications.

## **WATERWORKS**

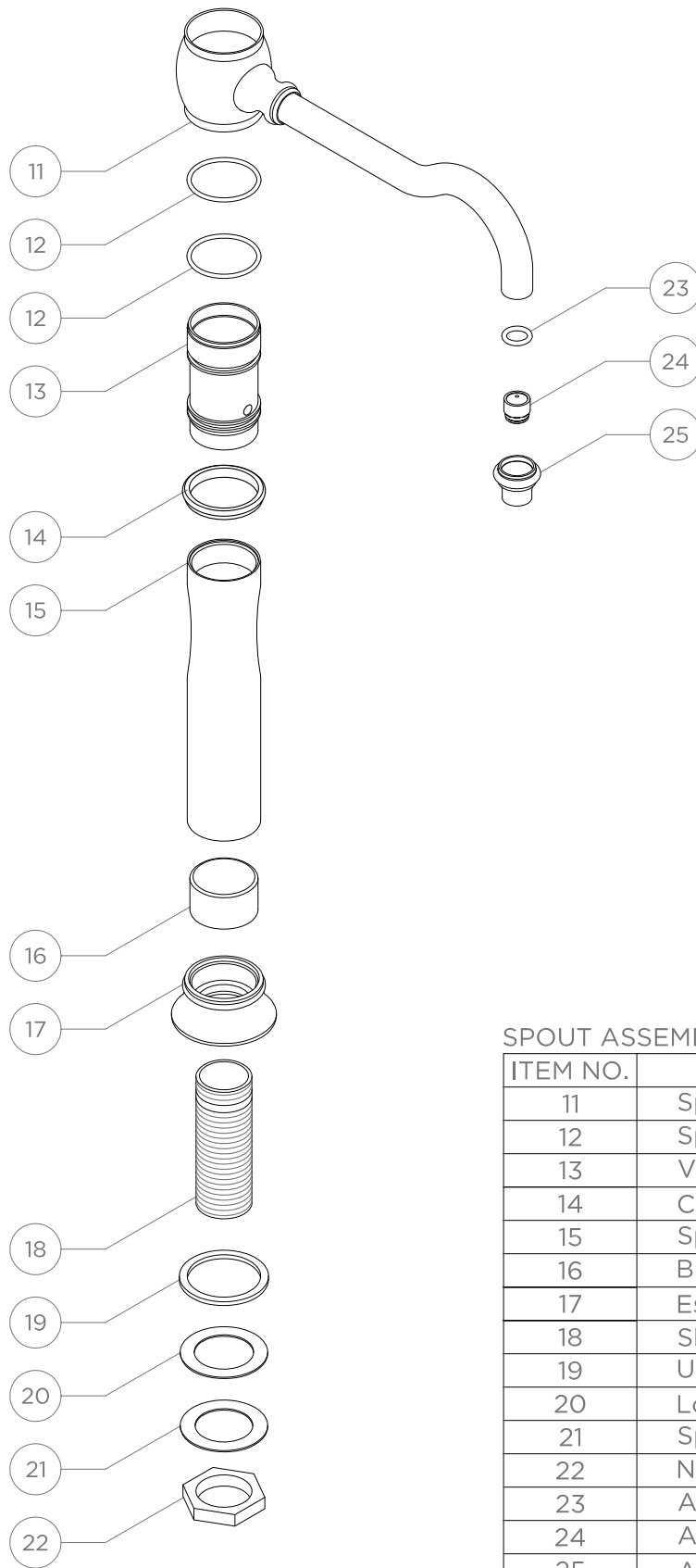
## HANDLE AND CARTRIDGE ASSEMBLY

ITEM NO.	DESCRIPTION	QTY.
1	Indice Collar	1
2	Indice	1
3	Adhesive Pad	1
4	Indice Hub	1
5	Indice Hub O-Ring	1
6	Handle Screw, Slotted	1
7	Lever Handle	1
8	Handle Retaining Collar	1
9	Cartridge Retaining Collar, 26mm Hex	1
10	Cartridge	1



These guidelines have been prepared for the professional contractor to aid in the installation of:  
**JULIA BRIDGE TWO HOLE KITCHEN MIXER WITH METAL LEVER HANDLE (STYLE # JUKM09).**  
 All dimensions are based on origin specification and are subject to change and variation.  
 Please consult your Design Associate for current specifications.

**WATERWORKS**



SPOUT ASSEMBLY

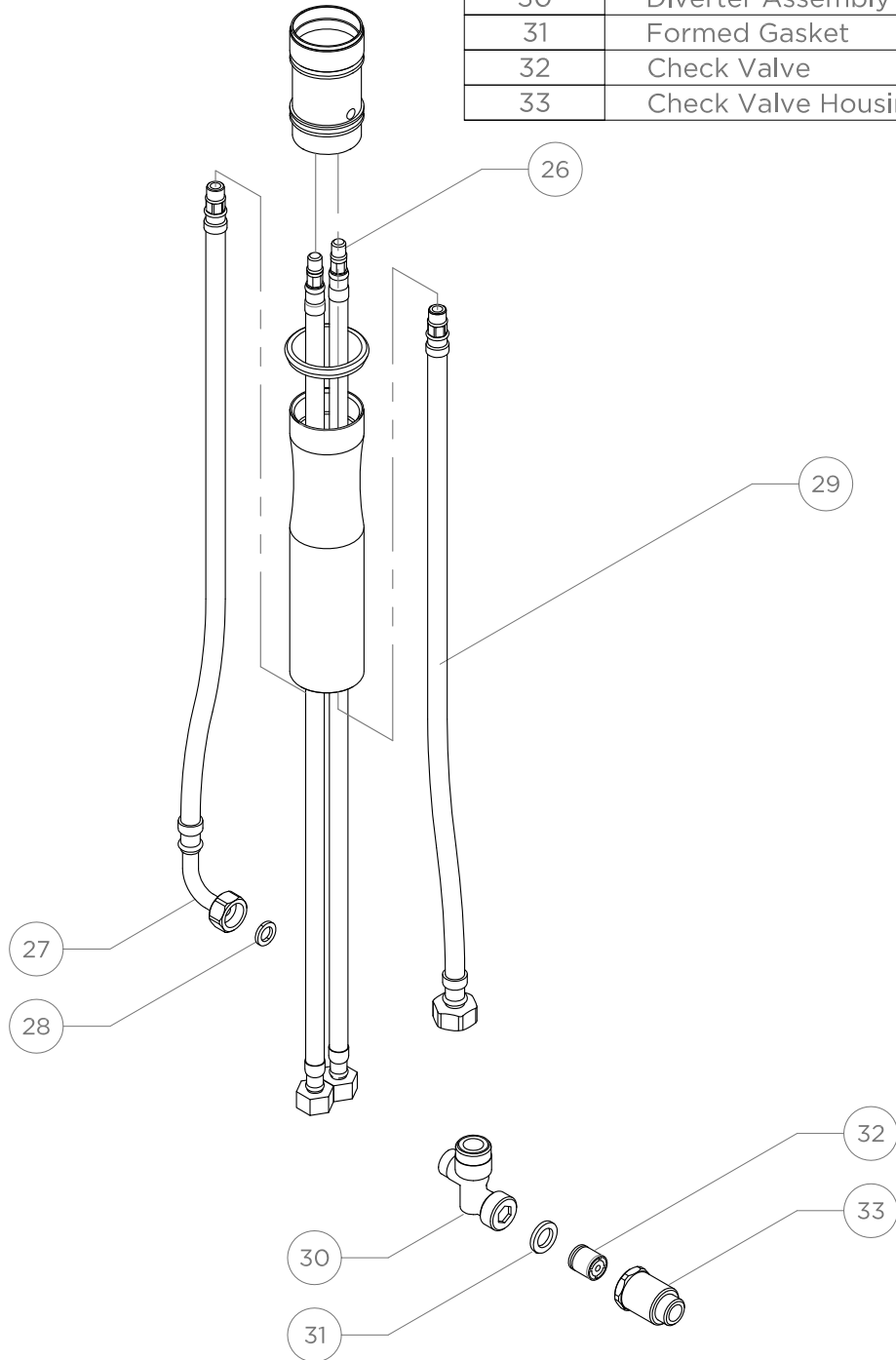
ITEM NO.	DESCRIPTION	QTY.
11	Spout	1
12	Spout O-Ring	2
13	Valve Body	1
14	Collar	1
15	Spout Column	2
16	Bushing	1
17	Escutcheon	1
18	Shank	1
19	Upper Deck Gasket	1
20	Lower Deck Gasket	1
21	Spout Mounting Washer	1
22	Nut, 42mm Hex	1
23	Aerator O-Ring	1
24	Aerator, 2.2gpm	1
25	Aerator Housing	1

These guidelines have been prepared for the professional contractor to aid in the installation of:  
**JULIA BRIDGE TWO HOLE KITCHEN MIXER WITH METAL LEVER HANDLE (STYLE # JUKM09).**  
 All dimensions are based on origin specification and are subject to change and variation.  
 Please consult your Design Associate for current specifications.

**WATERWORKS**

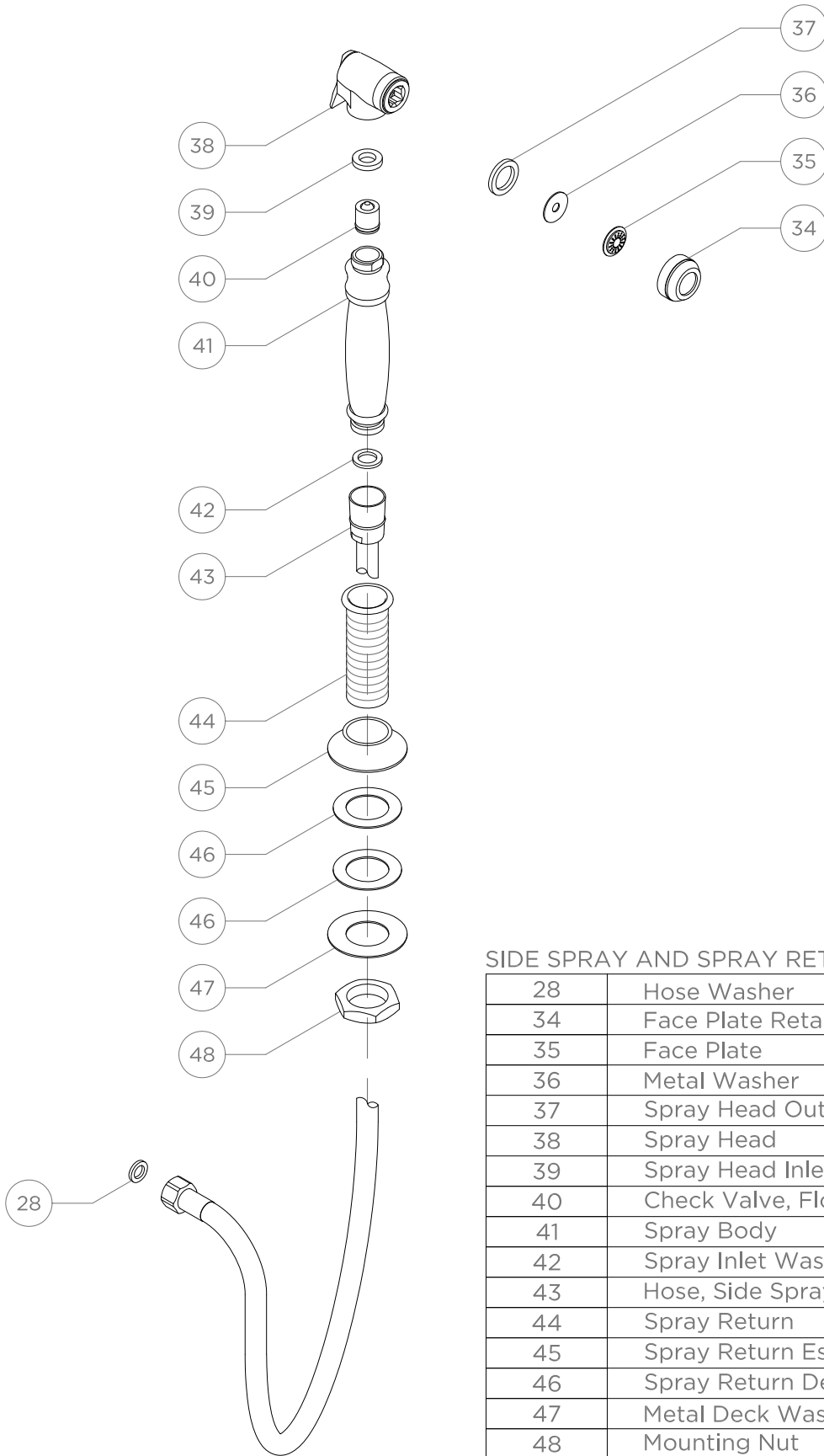
## HOSE AND DIVERTER ASSEMBLY

ITEM NO.	DESCRIPTION	QTY.
26	Flexible Supply Hose	2
27	Valve Outlet Hose	1
28	Hose Washer	1
29	Valve Inlet Hose	1
30	Diverter Assembly	1
31	Formed Gasket	1
32	Check Valve	1
33	Check Valve Housing	1



These guidelines have been prepared for the professional contractor to aid in the installation of:  
**JULIA BRIDGE TWO HOLE KITCHEN MIXER WITH METAL LEVER HANDLE (STYLE # JUKM09).**  
 All dimensions are based on origin specification and are subject to change and variation.  
 Please consult your Design Associate for current specifications.

**WATERWORKS**



SIDE SPRAY AND SPRAY RETURN ASSEMBLY

28	Hose Washer	1
34	Face Plate Retaining Collar	1
35	Face Plate	1
36	Metal Washer	1
37	Spray Head Outlet Washer	1
38	Spray Head	1
39	Spray Head Inlet Washer	1
40	Check Valve, Flow Restricted, 2.2gpm	1
41	Spray Body	1
42	Spray Inlet Washer	1
43	Hose, Side Spray	1
44	Spray Return	1
45	Spray Return Escutcheon	1
46	Spray Return Deck Gasket	2
47	Metal Deck Washer	1
48	Mounting Nut	1

These guidelines have been prepared for the professional contractor to aid in the installation of:  
**JULIA BRIDGE TWO HOLE KITCHEN MIXER WITH METAL LEVER HANDLE (STYLE # JUKM09).**  
 All dimensions are based on origin specification and are subject to change and variation.  
 Please consult your Design Associate for current specifications.

**WATERWORKS**