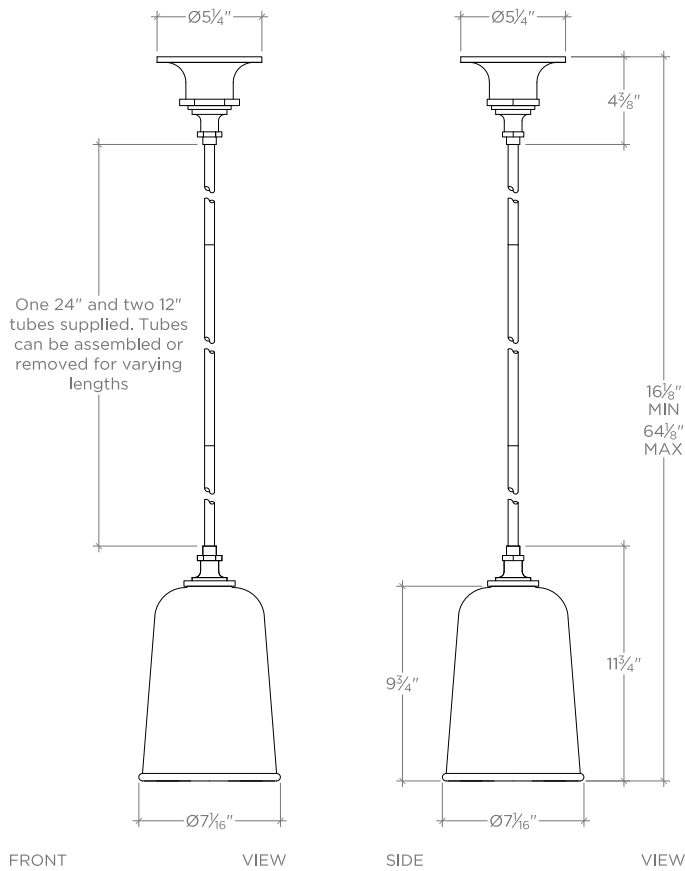


STYLE No. **710648**
 ITEM No. **18-47520-83414** (Chrome)
18-26316-14463 (Nickel)



- Max wattage for this product is 100 watts and is intended for use with medium base incandescent Edison style light bulbs.
- Product is intended for incandescent Edison style light bulbs but is compatible with standard medium base fluorescent bulbs.
- Refer to the specification and assembly drawings attached. Product is sold partially assembled but shown fully disassembled for illustrative and service purposes only.
- Inspect this product to ensure you have all parts required for proper installation.
- Use only a strap wrench or protected/smooth-jaw wrench on any finished surface.

INSTALLATION:

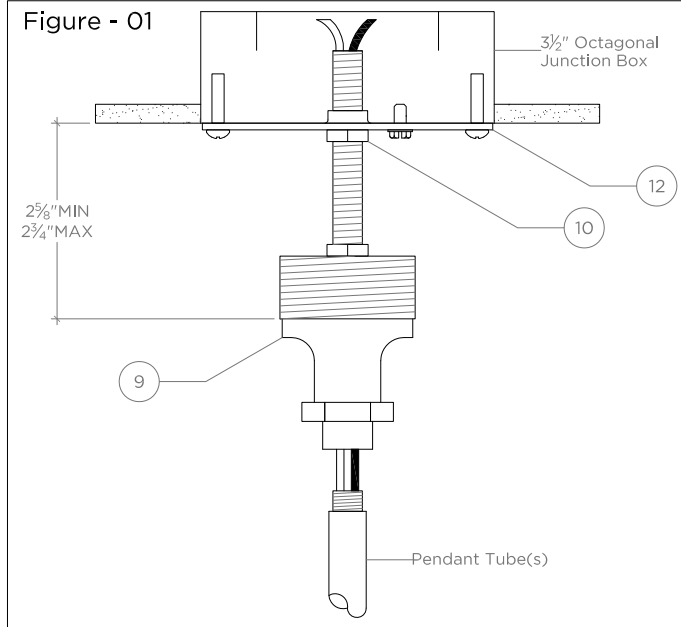
- **REQUIRED:** Install a $3\frac{1}{2}$ " octagonal electrical junction box (ceiling mounted) at the desired location. Junction box must be secured to adequate blocking or stub material to support the fixture weight.
 - Fixture includes 3 tubes (5-6), one 24" and two 12" and can be installed with any combination of tubes or with none.
1. Remove the mounting plate (13) from the fixture body (10-11) and ensure that the holes on the plate align with the screw holes in the junction box.
 2. Attach the mounting plate to the box using the #8-32 screws (12) provided.
 3. Remove the cover plate (9), hex collar (8) and $2\frac{3}{16}$ " knurled retaining ring (7) from the fixture body (10-11).
 4. Determine the desired length and remove or assemble the required tubes. If no tubes are being used proceed to step 6.
 5. Thread tube or tube assembly onto the nipple on the top of the socket assembly (3).
 6. Slide the wires through the $2\frac{3}{16}$ " retaining ring (7), hex collar (8) and cover plate (9). Allow these components to rest on the socket assembly.
 7. Slide the wires through the fixture body (10-11) then through the center hole of the mounting plate (13).
 8. Thread the fixture body into the mounting plate until the threads are $2\frac{5}{8}$ " to $2\frac{3}{4}$ " from the surface of the finished ceiling. See figure-01. Tighten the nut (10) against the mounting plate to prevent the fixture body from unthreading.

IMPORTANT:

- **WARNING:** The power supply must be turned off prior to installation. Turn off the main electrical supply to the junction box from the fuse box/circuit breaker. Turning power off at the switch is not sufficient.
- To ensure this product is installed properly, you must read and follow these guidelines.
- The owner/user of this product must keep this information for future reference.
- This product is U.L. certified and is suitable for damp or dry locations. The U.L. listing mark can be found on the mounting plate.
- Be sure your installation conforms to all federal, state, and local codes.
- This product must be installed by a professional licensed electrical contractor.

These guidelines have been prepared for the professional contractor to aid in the installation of:
HENRY PENDANT (STYLE NO. 710648).
 All dimensions are based on origin specification and are subject to change and variation.
 Please consult your Design Associate for current specifications.

WATERWORKS

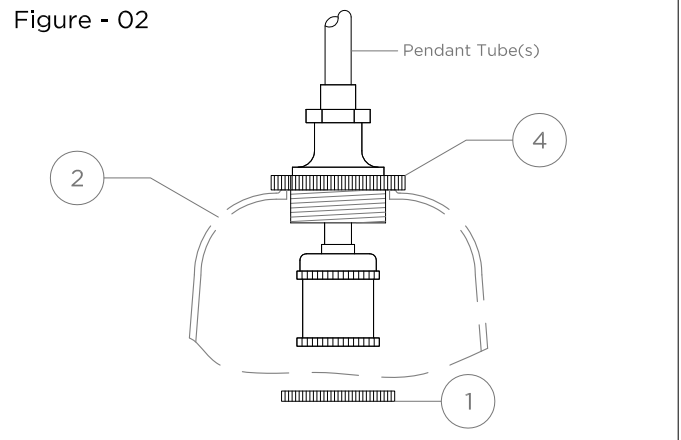
**IMPORTANT:**

9. Assemble the cover plate (9) before making final wiring connections to ensure that the knurled retaining ring (7) can securely hold the cover plate to the finished ceiling.
10. Slide the cover plate (9) over the fixture body (10) then the hex collar (8). Thread the $2\frac{3}{16}$ " retaining ring (7) onto the body (10) to hold the plate and collar against the finished ceiling. **DO NOT OVER TIGHTEN.**
- 11a. If there are not enough exposed thread to securely fasten the retaining ring (7), remove the cover plate and unthread the fixture body (10) from the mounting plate and repeat step 10.
- 11b. If the cover plate (9) and hex collar (8) can be securely held up to the finished ceiling by the retaining ring (7) remove the cover plate and proceed to make the final wiring connections.
12. Fasten the bare copper fixture wire to the green or bare copper wire in the junction box or fasten it to the mounting plate (13) with the ground screw (12).
13. Fasten the white fixture wire to white wire in the box with a wire nut. Tightly wrap the connection with electrical tape beginning 1" below the wire nut to ensure the tape seals the end of the nut. Make sure that there are no exposed wires that could cause a short circuit.
14. Repeat Step 13 with the black fixture wire and the black wire from the junction box.

15. Slide the cover plate (9) and hex collar (8) over the fixture body (10) and tightly thread the $2\frac{3}{16}$ " retaining ring (7) onto the body.

FINAL INSTALLATION:

16. Thread the tube(s) into the fixture body. If no tube(s) are used, the nipple on the top of the socket assembly can thread into the fixture body.
17. Remove the $2\frac{1}{8}$ " knurled retaining ring (1) from the socket assembly (3).
18. Slide the glass shade (2) over the socket assembly and secure it with the knurled retaining ring (1). The glass shade will sit against the $2\frac{1}{2}$ " ring (4).



19. Install the light bulb (not supplied) then turn on the power to the junction box at the fuse box/circuit breaker.

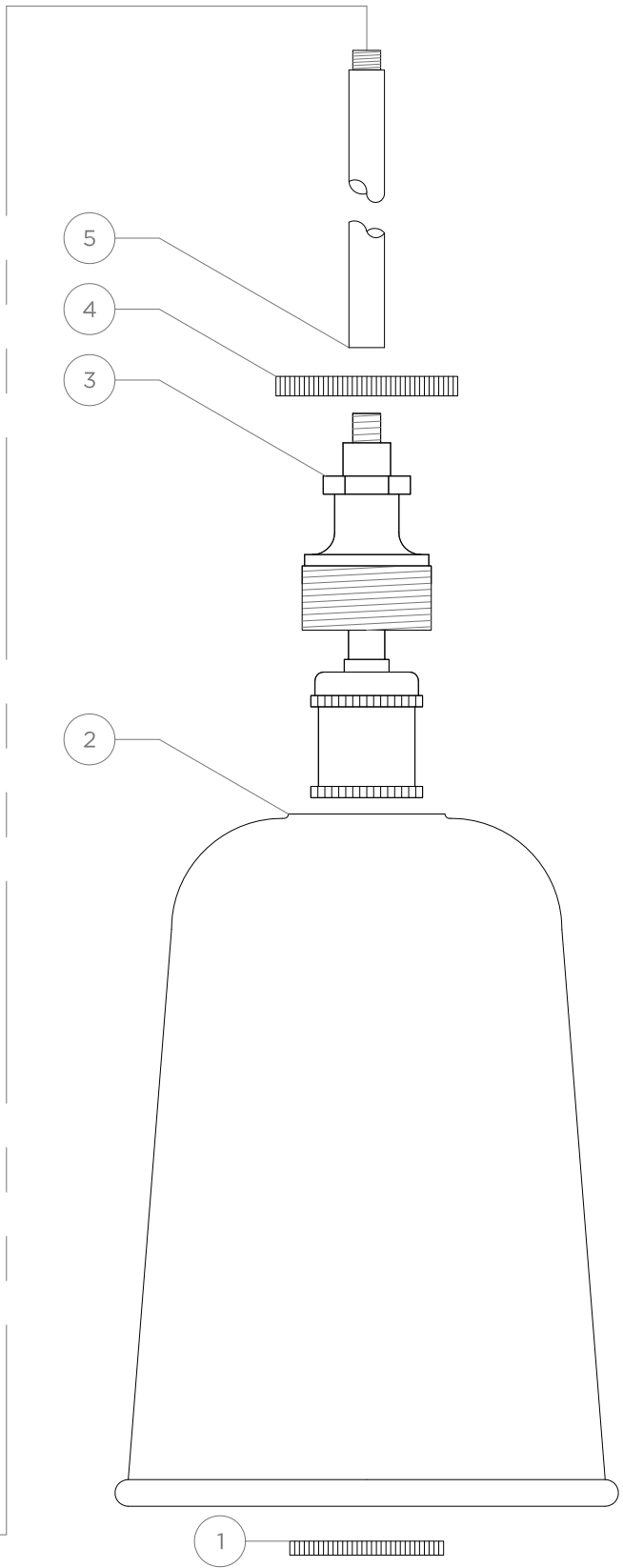
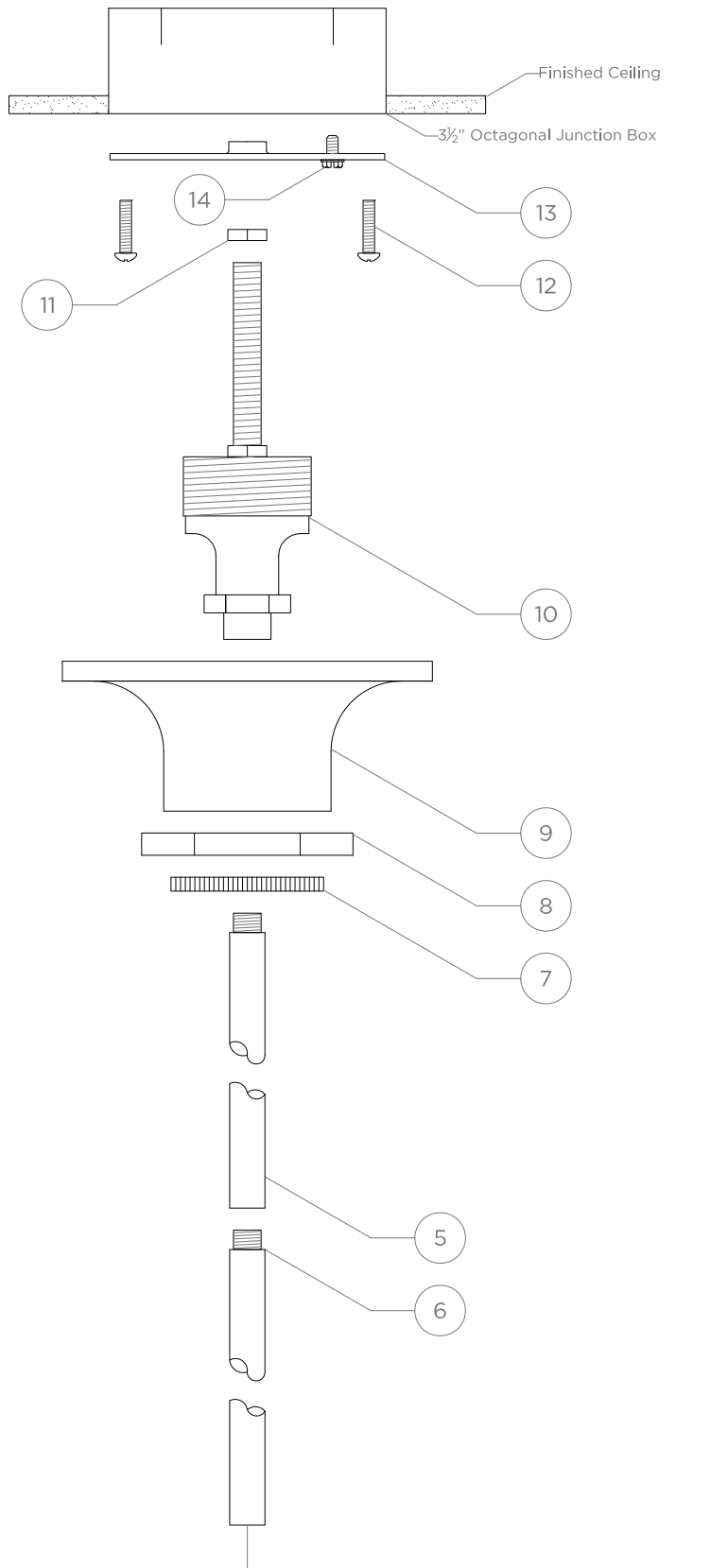
➤ If further assistance is required, please contact Product Support at 1-800-927-2120 Ext. 3 (9am-6pm EST).

ITEM NO.	DESCRIPTION	QTY.
1	$2\frac{1}{8}$ " Knurled Retaining Ring	1
2	Glass Shade	1
3	Socket Assembly	1
4	$2\frac{1}{2}$ " Knurled Retaining Ring	1
5	12" Tube	2
6	24" Tube	1
7	$2\frac{3}{16}$ " Knurled Retaining Ring	1
8	Hex Collar	1
9	Cover Plate	1
10	Fixture Body	1
11	Plate Retaining Nut	1
12	Mounting Screw, #8-32	2
13	Mounting Plate	1
14	Ground Screw	1
15	Wire Nut (Not Shown)	2

* 100 Watt Edison Style Light Bulb Not Supplied

These guidelines have been prepared for the professional contractor to aid in the installation of:
HENRY PENDANT (STYLE NO. 710648).
 All dimensions are based on origin specification and are subject to change and variation.
 Please consult your Design Associate for current specifications.

WATERWORKS



These guidelines have been prepared for the professional contractor to aid in the installation of:
HENRY PENDANT (STYLE NO. 710648).
 All dimensions are based on origin specification and are subject to change and variation.
 Please consult your Design Associate for current specifications.

WATERWORKS