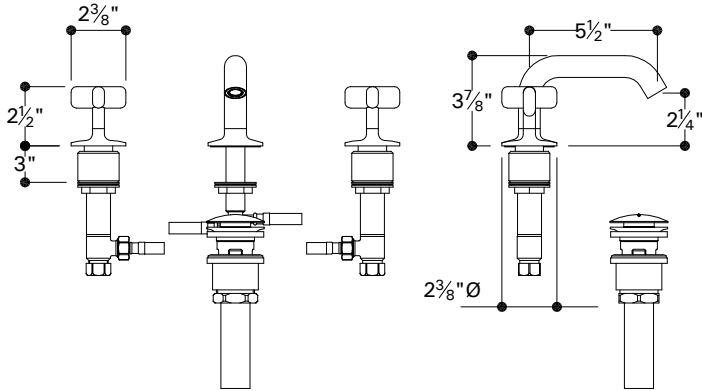
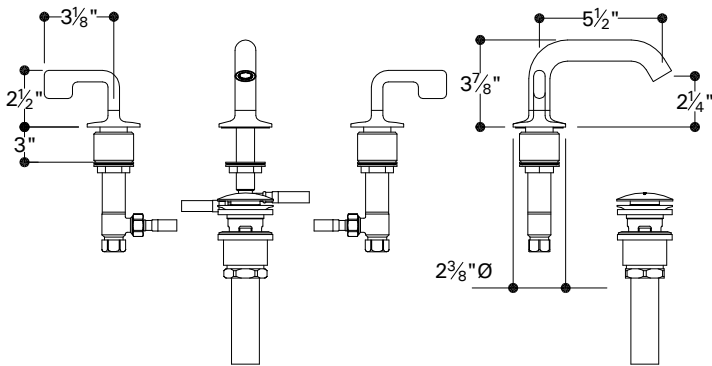


**PTLS01-K** (Cross Handles)



**PTLS02-K** (Lever Handles)



**IMPORTANT**

- To ensure this product is installed properly, you must read and follow these guidelines.
- The owner/user of the faucet must keep this information for future reference.
- Be sure your installation conforms to local codes.
- Refer to the specification and assembly drawings attached. Faucet is sold partially assembled but shown fully disassembled for illustrative and service purposes only.
- Inspect this product to assure you have all parts required for proper installation.
- Use only a strap wrench or protected/smooth-jaw wrench on any finished surface.
- If possible, install the faucet assembly on the sink or mounting surface before setting.
- Do NOT use putty during this installation.

**SIDE VALVE INSTALLATION**

1. Remove the handle trim connector (3), gasket (4) and plastic spacer (5) from the side valve (9). Do not remove the lock nut (8), washer and lower gasket (7).
2. Determine the thickness of the mounting surface. If it is less than 1/2", slide the plastic spacer (5) onto the side valve. If the surface is greater than 1/2", do not use the spacer.
3. Insert the side valve into the hole in the mounting surface.
4. Slide the rubber gasket (4) onto the handle trim connector (3). Thread the handle trim connector completely onto the side valve (about 6 full turns) until it stops. If the connector does not thread down completely, adjust the lock nut.
5. After the connector is on completely, tighten the lock nut against the underside of the mounting surface to secure the side valve.
6. Position the handle assembly over the valve then thread the handle assembly (1) onto the side valve until it stops. Hand tight is adequate; if this assembly is too tight, the handle will bind.
7. Repeat these steps to install the second side valve.

**SPOUT AND DRAIN INSTALLATION**

Note: This faucet does not use a lift rod to operate the drain stopper. Instead, it uses a simple pop-up drain that is closed and opened by pushing down on the stopper.

8. Unthread and remove the spout mounting nut (13), metal washer (12), and foam gasket (14) from the spout.
9. Insert the spout assembly (11) through the spout hole of the mounting surface, reinstall the rubber and metal spout washers then tighten the spout mounting nut to secure the spout to the mounting surface.
10. Thread each supply hose (26) into the spout shank. Hand tight is adequate, do NOT over tighten.
11. Connect each of the supply hoses to the adjacent side valve (9) making sure the hoses are not pinched/kinked.
12. Remove the upper collar (18) from the pop-up drain assembly and discard the upper gasket (19).
13. Set the upper collar in the lavatory drain opening using a clear adhesive silicone.

These guidelines have been prepared for the professional contractor to aid in the installation of:  
**.25 LOW PROFILE LAVATORY FAUCET WITH CROSS HANDLES (PTLS01-K) & LEVER HANDLES (PTLS02-K)** All dimensions are based on origin specification and are subject to change and variation. Please consult your Design Associate for current specifications.

W A T E R W O R K S

- 14. Re-attach the lower drain assembly (22) using the gasket (20) provided then tighten until fully secured. A clear adhesive silicone may be used to ensure a water-tight seal between the gasket and lavatory.
- 15. Attach the tail piece (25) using the tail piece washer (23) provided.
- 16. Connect the side valves to the water supply valves (not supplied).

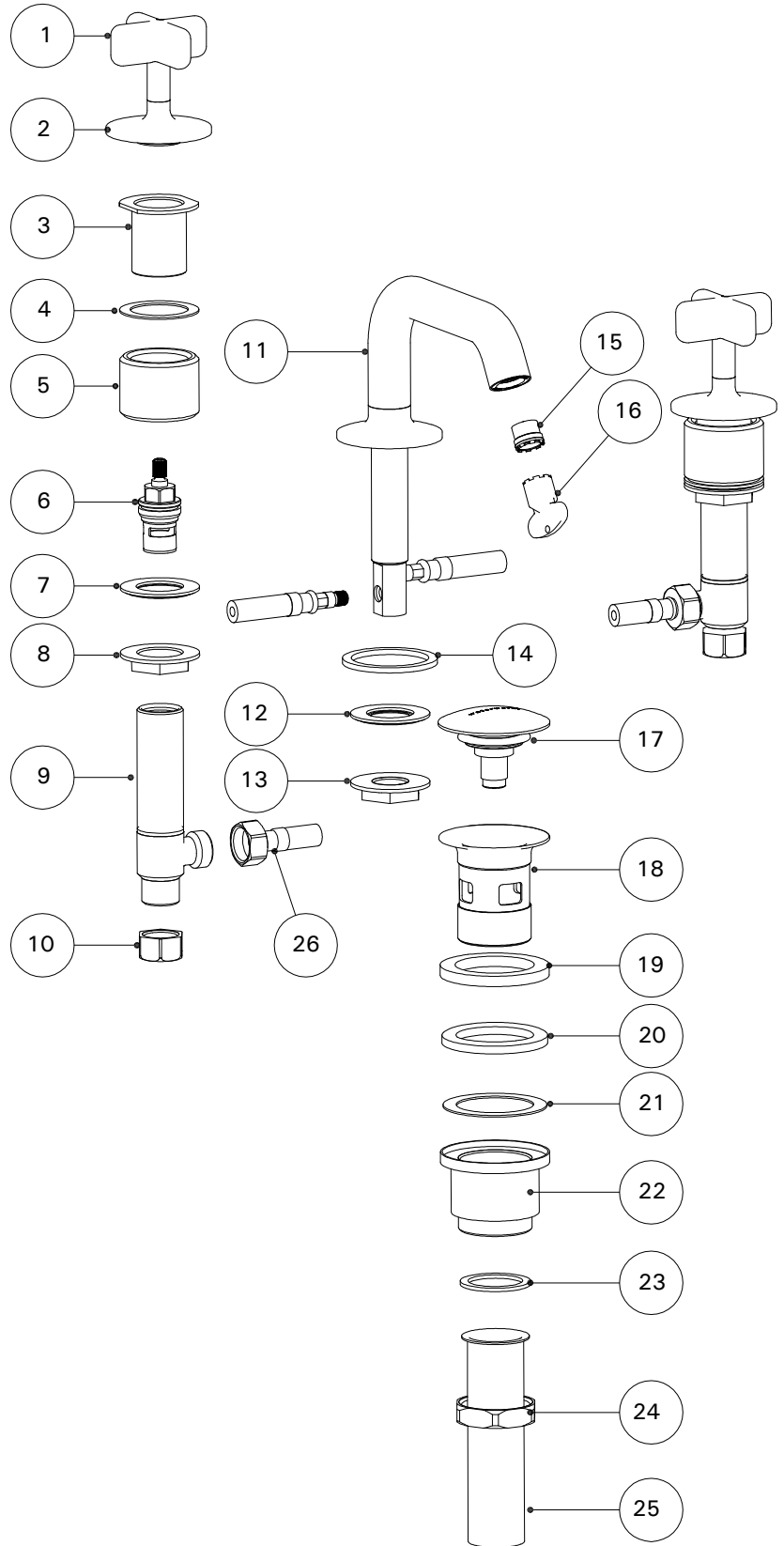
**INSPECT THE INSTALLATION**

- 17. Remove the flow restrictor assembly (15) from the spout using the tool provided (16). Carefully open the hot and cold valves to flush out any debris in the supply lines.
- 18. Inspect all connections for leaks. Reinstall the flow restrictor assembly.
- 19. Push down on the drain stopper (17) to close the drain then fill the sink with water to make sure the stopper operates and seals properly.
- 20. Push down on the stopper to open the drain. If the stopper has to be removed, simply unthread it by turning the stopper counter clockwise.

If further assistance is required, please contact Product Support at 1-800-927-2120 (8am-7pm EST)

These guidelines have been prepared for the professional contractor to aid in the installation of:  
**.25 LOW PROFILE LAVATORY FAUCET WITH CROSS HANDLES (PTLS01-K) & LEVER HANDLES (PTLS02-K)** All dimensions are based on origin specification and are subject to change and variation. Please consult your Design Associate for current specifications.

W A T E R W O R K S



**PART and SERVICE PACK TABLE**

PART	PACK
------	------

NON-SERVICEABLE			
ITEM.	DESCRIPTION	QUANTITY	
1	HANDLE	2	N/A
2	HANDLE ESCUTCHEON	2	N/A
4	GASKET	2	N/A
6	CARTRIDGE	2	N/A
7	WASHER & LOWER GASKET	2	N/A
8	LOCK NUT	2	N/A
9	SIDE VALVE	2	N/A
10	SUPPLY NUT	2	N/A
11	SPOUT ASSEMBLY	1	N/A
12	METAL WASHER	1	N/A
13	SPOUT MOUNTING NUT	1	N/A
14	FOAM GASKET	1	N/A
16	FLOW RESTRICTOR TOOL	1	N/A

WWPLS31			
ITEM.	DESCRIPTION	QUANTITY	
3	HANDLE TRIM CONNECTOR	2	1

WWPTU30			
ITEM.	DESCRIPTION	QUANTITY	
5	PLASTIC SPACER	2	1

PTPLS15			
ITEM.	DESCRIPTION	QUANTITY	
15	FLOW RESTRICTOR	1	1

WWPLS02			
ITEM.	DESCRIPTION	QUANTITY	
17	DRAIN STOPPER	1	1
18	UPPER COLLAR	1	1
19	UPPER GASKET	1	1
20	GASKET	1	1
21	WASHER	1	1
22	LOWER DRAIN	1	1
23	TAIL PIECE WASHER	1	1
24	NUT	1	1
25	TAIL PIECE	1	1

PTPLS05			
ITEM.	DESCRIPTION	QUANTITY	
26	SUPPLY HOSES	2	1

These guidelines have been prepared for the professional contractor to aid in the installation of:  
**.25 LOW PROFILE LAVATORY FAUCET WITH CROSS HANDLES (PTLS01-K) & LEVER HANDLES (PTLS02-K)** All dimensions are based on origin specification and are subject to change and variation. Please consult your Design Associate for current specifications.

W A T E R W O R K S