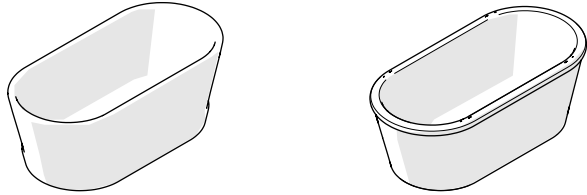


# INSTALLATION GUIDELINES

## BATHTUB

### ALATRI OR IBLA FREESTANDING OVAL BATHTUB



STYLE	
AIBT67	IBBT67

#### IMPORTANT:

- This BATHTUB must be installed by a well experienced and professional licensed contractor.
- The contractor must ensure the extreme weight of this BATHTUB is considered in both the site construction for and installation of the BATHTUB.
- Adequate floor support is required and reinforcements will be necessary to bear the load of the BATHTUB.
- Be sure your installation conforms to all federal, state, and local codes.
  - This TUB does NOT have an overflow which may be required in certain jurisdictions. The installer is responsible for specifying a code compliant product according to applicable codes.
- This BATHTUB will be delivered to the construction or project site only. The contractor is responsible for moving the BATHTUB to the final installation location.
- **CAUTION:** This BATHTUB is extremely heavy. Ensure it is well supported while transporting, during, and after installation. Special equipment, such as, a heavy lift, hoist, and/or crane will be required.
- Immediately after receiving the BATHTUB and removal of packing, you MUST inspect the unit for freight damage. Any claims for damage, whether apparent or hidden, must be made to the carrier immediately in order for them to assume all associated costs. Should inspection reveal any defect in the finish, do not install the BATHTUB. Damage or defect to the finish claimed after the BATHTUB is installed is excluded from the warranty. The warranty DOES NOT cover labor or materials to remove or reinstall the BATHTUB.
- To ensure this product is installed properly, you must read and follow these guidelines.
- Inspect this product to ensure you have all the parts required for proper installation and take all necessary precautions to ensure the BATHTUB is protected during installation.

- Ensure the BATHTUB is properly supported by the base.
- The use of certain plumber' putty may stain stone or tile surfaces.
- If further assistance is required, please contact Product Support at 1-800-927-2120 Monday through Friday, 8am - 6pm EST.

**WARNING:** The following basic safety precautions should always be followed when using your BATHTUB.

- Caution should always be exercised when entering or leaving the BATHTUB.
- **DANGER:** To reduce the risk of injury, do **NOT** permit children or persons with a disability to use the BATHTUB without closer supervision.
- Keep all electrical appliances such as radios and hairdryers a safe distance from the BATHTUB.
- Do **NOT** use the BATHTUB when sleepy or drowsy, under the influence of alcohol or prescription medications or when overheated.

#### TECHNICAL DETAILS:

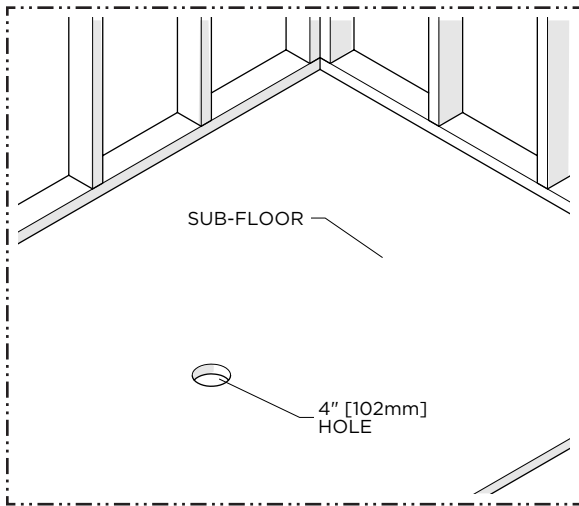
DETAIL	SPECIFICATION BY STYLE	
	AIBT67	IBBT67
ASSEMBLY/CONFIGURATION	ONE PIECE	ONE PIECE
BATHING TYPE	BATHING AND SOAKING	BATHING AND SOAKING
BATHING WELL SITTING ANGLE	105°	105°
BOTTOM ANGLE/PITCH	1.5°	1.5°
DRAIN HOLE DEPTH	1-15/16" [50mm]	1-15/16" [50mm]
DRAIN HOLE DIAMETER	2-3/16" [56mm]	2-3/16" [56mm]
DRILLING OPTION	NONE	NONE
PRIMARY MATERIAL	STONE	STONE
SINGLE OR DOUBLE ENDED	DOUBLE ENDED	DOUBLE ENDED
WATER CAPACITY	120 GAL [454 L]	110 GAL [416 L]
WEIGHT (DRY)	1100 lbs [ 499 kg]	1540 lbs [ 699 kg]
WEIGHT (FILLED)	2100 lbs [953 kg]	2460 lbs [1116 Kg]

#### REQUIRED PLUMBING DETAILS:

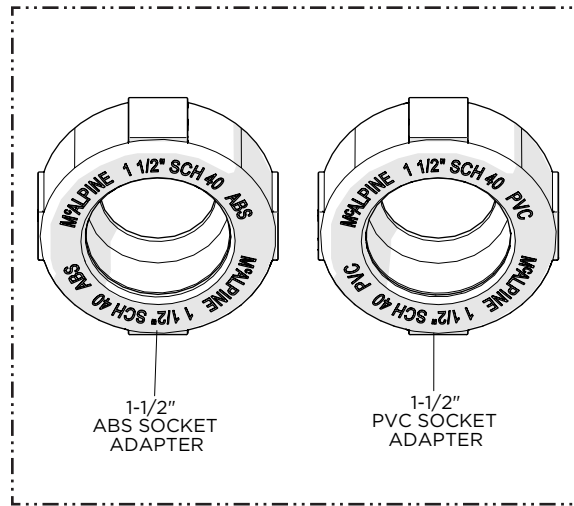
STYLE	DESCRIPTION
UNWO20	Universal Push-Touch Tub Drain and Docking Station without Overflow

# INSTALLATION GUIDELINES

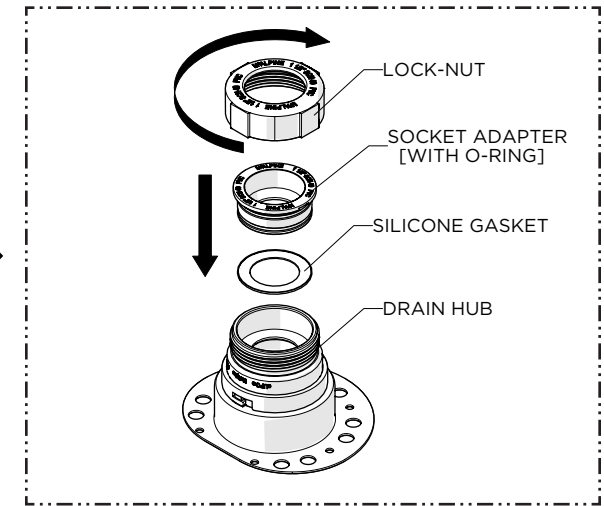
## BATHTUB



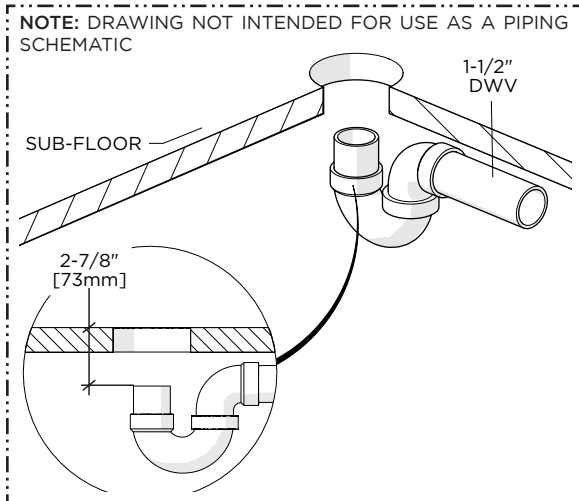
1. Determine the placement of the BATHTUB and mark the location of the drain hole then drill a hole through the sub-floor to accommodate the DRAIN (sold separately).



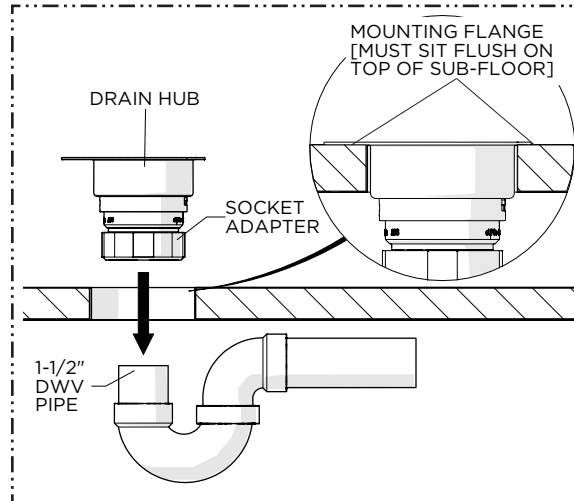
2. Select either the ABS or PVC SOCKET ADAPTER, depending on the material of the DWV piping.



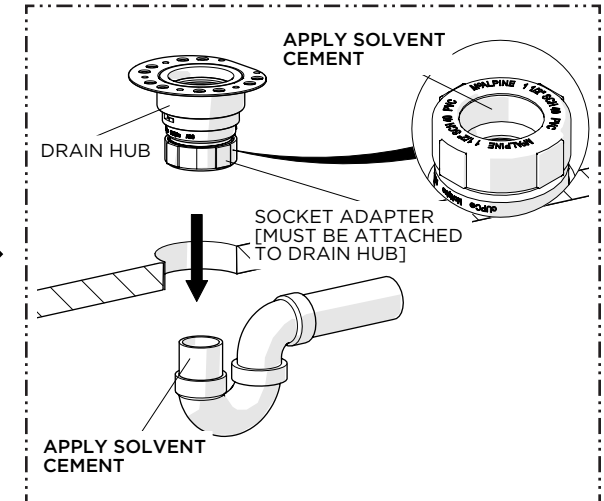
3. Insert the SILICONE GASKET and SOCKET ADAPTER into the DRAIN HUB then hand-tighten the LOCK-NUT onto the HUB.



4. Rough-in a 1-1/2" DWV (not supplied). The top of the PIPE must be 2-7/8" [73mm] from the top of the sub-floor in order for the DRAIN HUB to be securely installed. Ensure all DWV pipes and fittings are well supported to eliminate the possibility of shifting.



5. Dry-fit the the DRAIN HUB assembly to the 1-1/2" DWV pipe making sure the pipe fits snugly into the SOCKET ADAPTER and the MOUNTING FLANGE sits flush on top of the sub-floor.

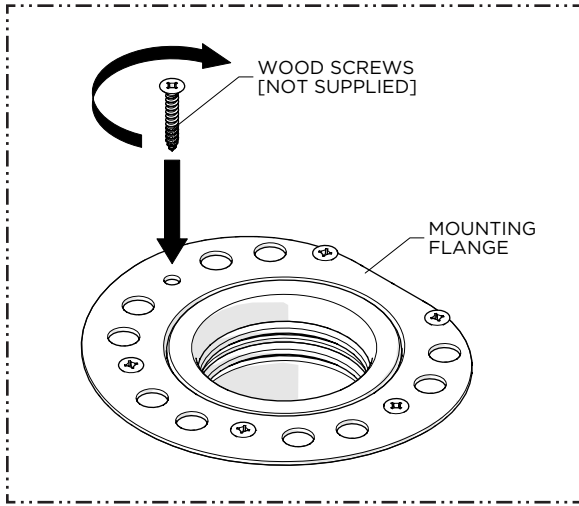


6. Apply the appropriate solvent cement to the inside of the SOCKET ADAPTER and the outside of the 1-1/2" DWV pipe then connect the ADAPTER to the pipe.

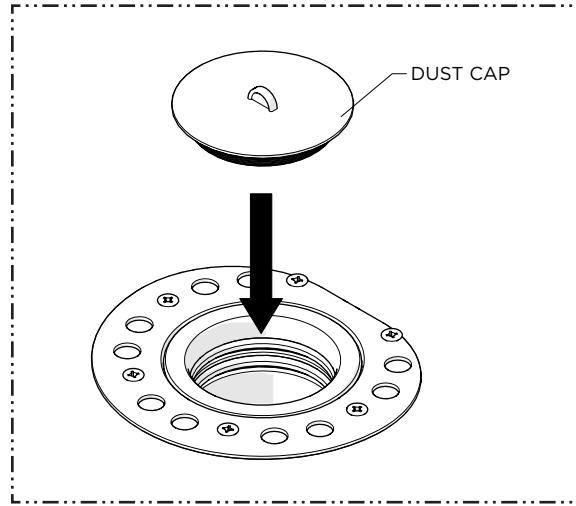
**NOTE:** The SOCKET ADAPTER must be attached to the DRAIN HUB for this step.

# INSTALLATION GUIDELINES

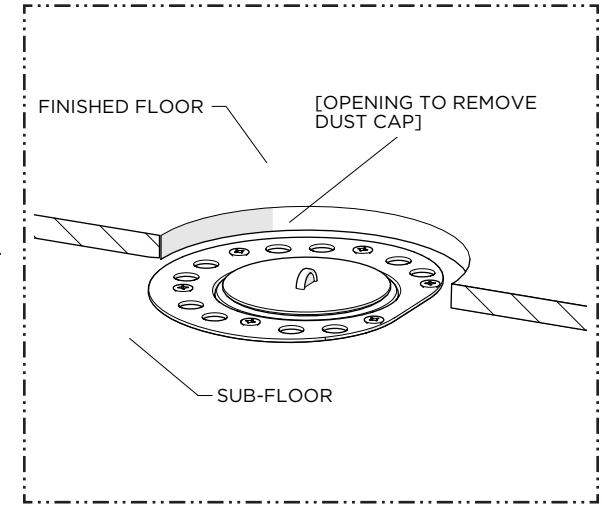
## BATHTUB



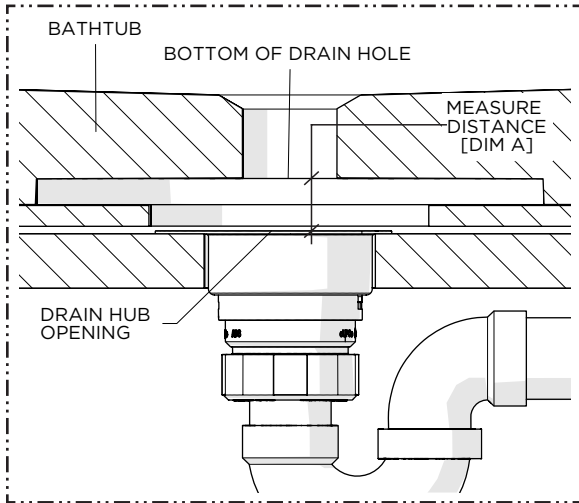
7. Secure the DRAIN HUB to the sub-floor using wood screws (not provided) through the small holes on the MOUNTING FLANGE.



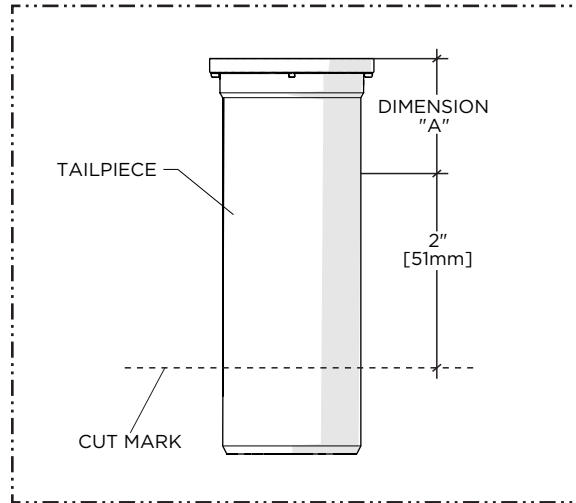
8. Insert the DUST CAP into the DRAIN HUB to protect the DRAIN during construction.



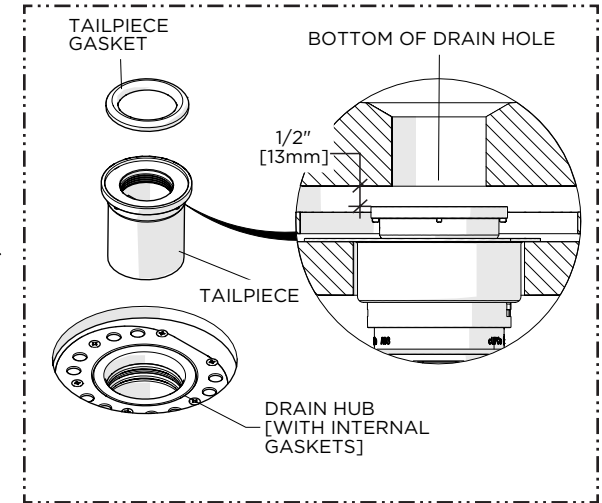
9. Install the finished floor making sure to leave an opening large enough to remove the DUST CAP.



10. Measure the distance between the opening on the DRAIN HUB to the bottom of the BATHTUB drain hole.



11. Add 2" [51mm] to the previous measurement (DIM A) taken and cut the TAILPIECE to that length.



12. Insert the TAILPIECE into the DRAIN HUB. If necessary, lubricate the RUBBER GASKETS inside the HUB with some water or silicone grease. Make sure the TAILPIECE GASKET is in place on top of the TAILPIECE.

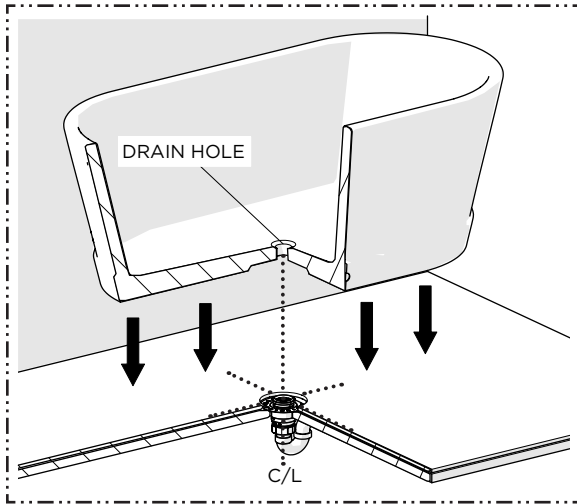
**NOTE:** The top of the TAILPIECE should sit 1/2" [13mm] below the drain hole opening on the BATHTUB when fully inserted.

DIMENSION A: \_\_\_\_\_

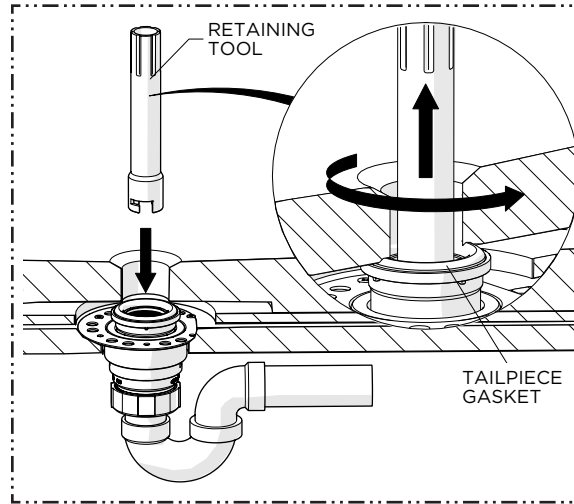
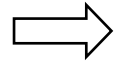
**NOTE:** DIMENSION A must be 1-1/8" [29mm] **MINIMUM** to 5-5/8" [143mm] **MAXIMUM**.

# INSTALLATION GUIDELINES

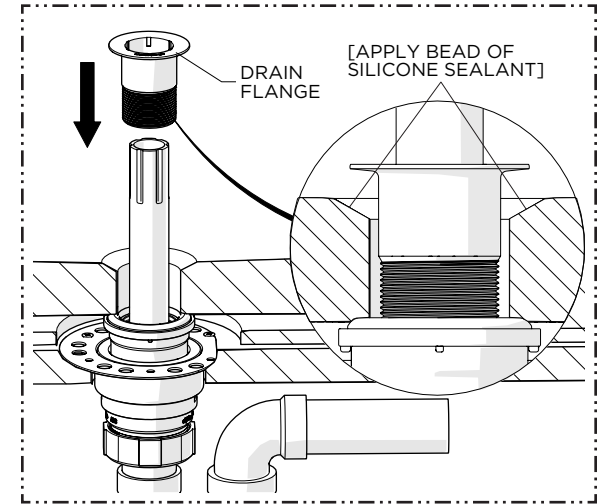
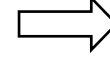
## BATHTUB



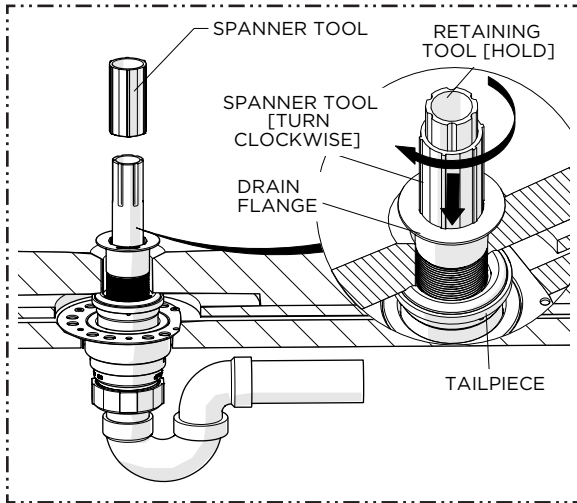
13. Move the BATHTUB into position with the DRAIN HOLE aligned with the TAILPIECE.



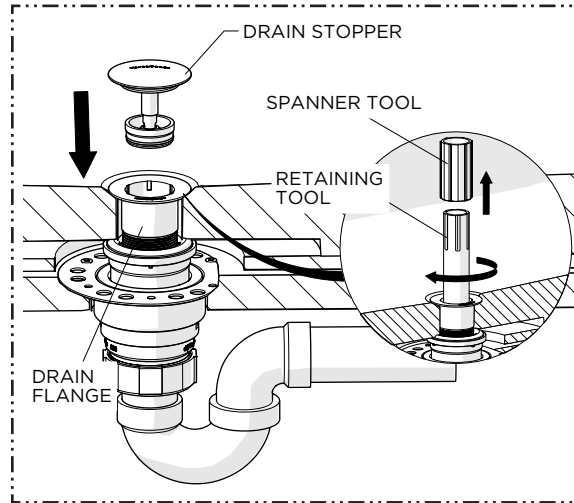
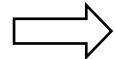
14. Insert the RETAINING TOOL into the TAILPIECE and rotate counterclockwise to engage the tabs inside the TAILPIECE and slots on the TOOL. Pull up so the TAILPIECE GASKET makes contact with the underside of the BATHTUB.



15. Slide the DRAIN FLANGE over the RETAINING TOOL until it contacts the threads inside the TAILPIECE then apply a bead of silicone sealant to the drain hole opening on the BATHTUB.

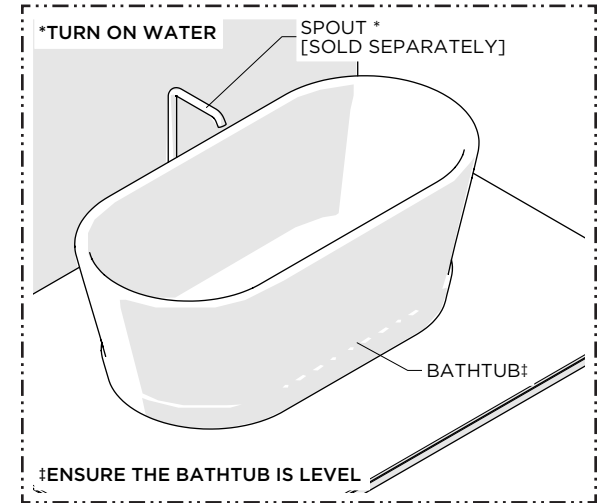
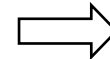


16. Slide the SPANNER TOOL over the RETAINING TOOL and insert the SPANNER TOOL into the notches on the DRAIN FLANGE. Hold the RETAINING TOOL while rotating the SPANNER TOOL clockwise to thread the DRAIN FLANGE into the TAILPIECE. Make sure to securely tighten the DRAIN FLANGE.



17. Remove the SPANNER and RETAINING TOOLS then insert the DRAIN STOPPER into the DRAIN FLANGE making sure it is fully seated.

**NOTE:** Wipe away any excess sealant around the DRAIN FLANGE.

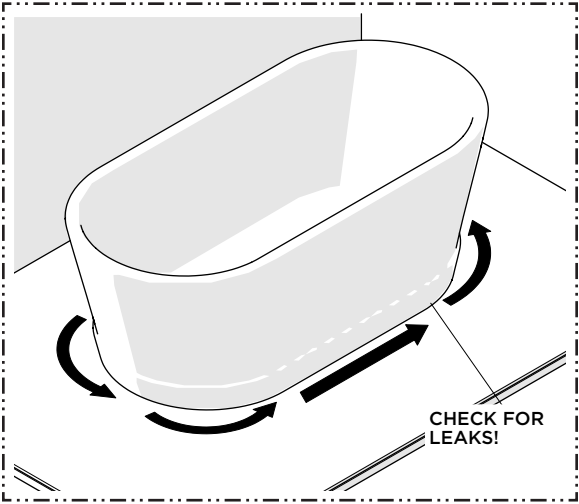


18. Verify the BATHTUB is level and, if needed, add shims then fill the BATHTUB making sure the DRAIN STOPPER functions properly.

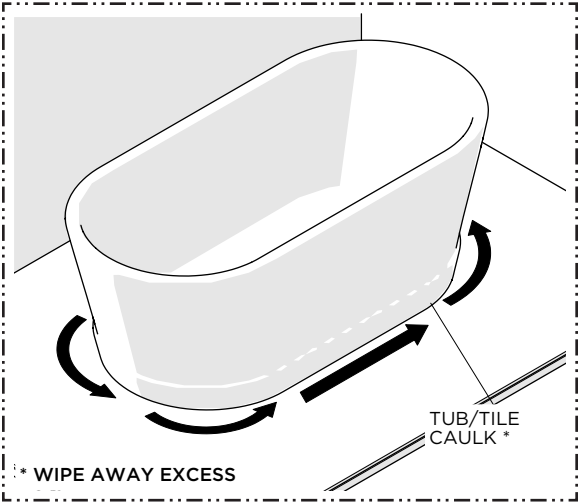
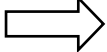
# INSTALLATION GUIDELINES

## BATHTUB

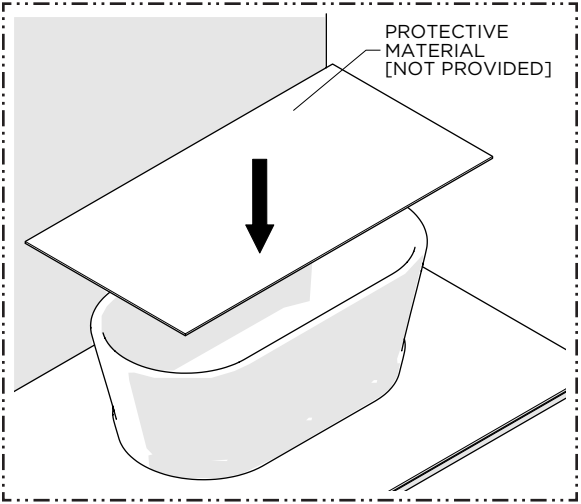
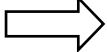
# WATERWORKS



19. Drain the BATHTUB and check for leaks.



20. Run a bead of tub and tile caulk around the bottom edge of the BATHTUB where it meets the finished floor; wipe away any excess caulk with a wet paper towel.



21. Cover the BATHTUB surface with a liner or other protective material (not provided) until construction is completed.