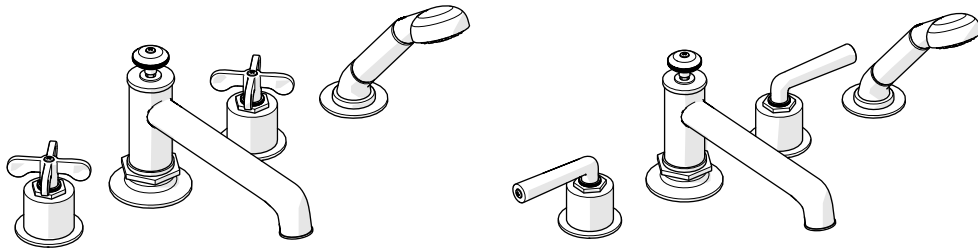


INSTALLATION GUIDELINES

CONCEALED TUB FILLER

HENRY AND HENRY CHRONOS CONCEALED TUB FILLER WITH HANDSHOWER AND HANDLES



STYLES					
HTF101 [SHOWN]	HTF102	HTF103	HTF111 [SHOWN]	HTF112	HTF113
CTF101	CTF111	CTF114	CTF115		

IMPORTANT:

- To ensure this product is installed properly, you must read and follow these guidelines.
- The owner/user of this product must keep this information for future reference.
- This product must be installed by a professional licensed contractor.
- Check TUB measurements to ensure the SPOUT project far enough into the TUB.
- Run 3/4" supply lines for **MAXIMUM** flow and install ACCESSIBLE hot and cold service stop valves to facilitate servicing.
- Be sure your installation conforms to federal, state, and local codes.
 - Anti-scaled protection is the responsibility of the installer and according to applicable codes.
 - A water temperature limiting device is the responsibility of the installer and must be in accordance with ASSE 1070.
 - In the State of Massachusetts, all installations must comply with the rules and regulations set forth within 248 CMR.
- Inspect this product to ensure you have all the parts required for proper installation.
- Product is sold partially assembled but shown fully disassembled for illustrative and service purposes only.
- **CAUTION:** Use only a strap wrench or protected/smooth-jaw wrench on ANY finished surface.

- **CAUTION:** Flushing the SUPPLY VALVES (sold separately) prior to installing the LAVATORY FAUCET is recommended. Flushing can prevent damage to the CARTRIDGES and other internal components.
- The use of certain plumber's putty may stain stone or tile surfaces.
- If further assistance is required, please contact Product Support at 1-800-927-2120 Monday through Friday, 8am - 6pm EST.
- Refer to the separate Service Parts Documents for available replacement parts.

TECHNICAL DETAILS:

DETAIL	SPECIFICATION
DIAMETER OF HANDSHOWER HEAD	2 1/6" [52mm]
DECK THICKNESS MAXIMUM	2-1/4" [57mm] HENRY 2-1/16" [52mm] CHRONOS
FITTINGS HOLE DIAMETER	1-1/4" [32 mm]
HANDLE TURN ANGLE	QUARTER TURN
HOSE LENGTH	79" [2m]
INLET CONNECTION	3/4" MALE NPT †
INLET SUPPLY SPREAD	8"-12" [203mm-305mm]
INTEGRATED DIVERTER	YES [PULL STYLE]
SPOUT REACH	8-1/8" [207mm]
WATER PRESSURE MAXIMUM	85psi [6.0 bar]
WATER PRESSURE MINIMUM	20psi [1.5 bar]
WATER PRESSURE RECOMMENDED	45psi [3.0 bar]

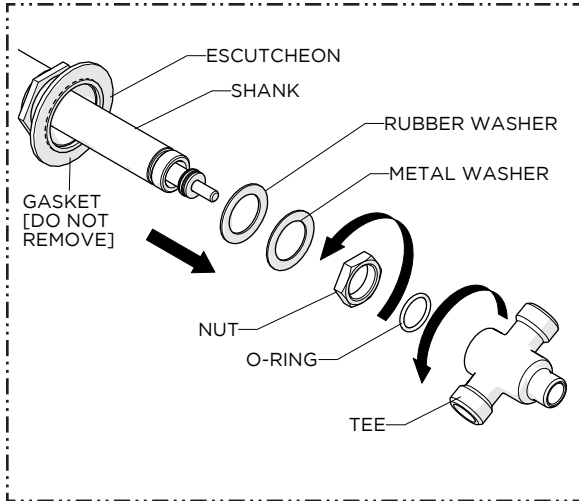
† For INTERNATIONAL USE ONLY,

- 3/4" Female NPT x 3/4" Male BSPP ADAPTERS are provided.
- Replacement ADAPTERS can be ordered separately:

Style No. UNUK05

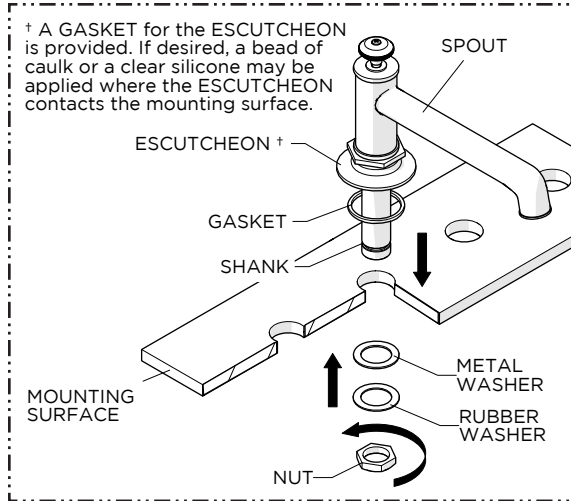
INSTALLATION GUIDELINES

CONCEALED TUB FILLER

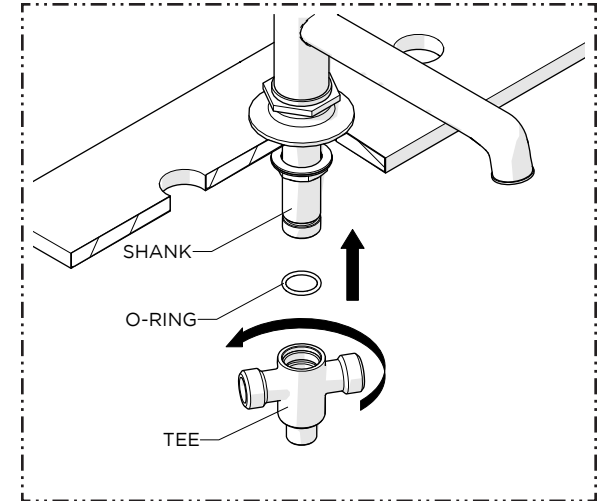


1. Remove the TEE, NUT and LOWER DECK WASHERS from the SPOUT SHANK.

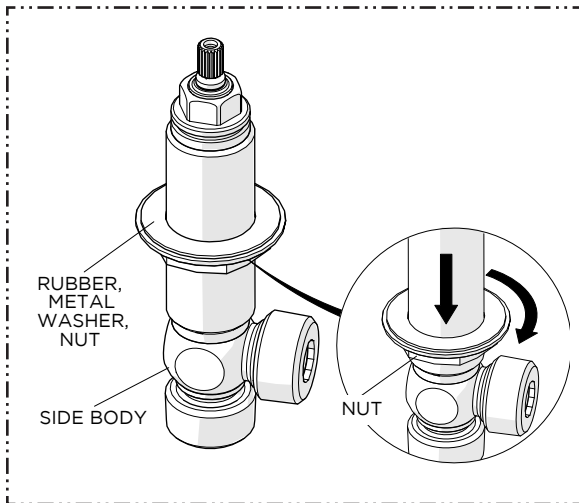
NOTE: Do NOT remove the GASKET beneath the ESCUTCHEON or discard the RUBBER WASHER provided with the TEE.



2. Insert the SHANK through the hole on the mounting surface, making sure the GASKET is beneath the ESCUTCHEON, then re-install the LOWER DECK WASHERS and securely tighten the NUT.

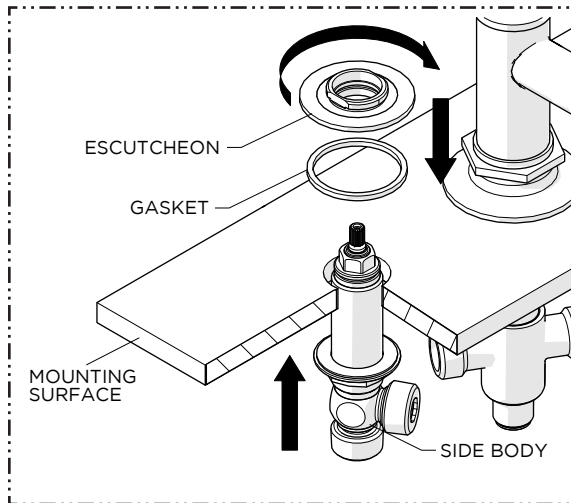


3. Thread and securely tighten the TEE onto the SHANK making sure to use the O-RING provided.

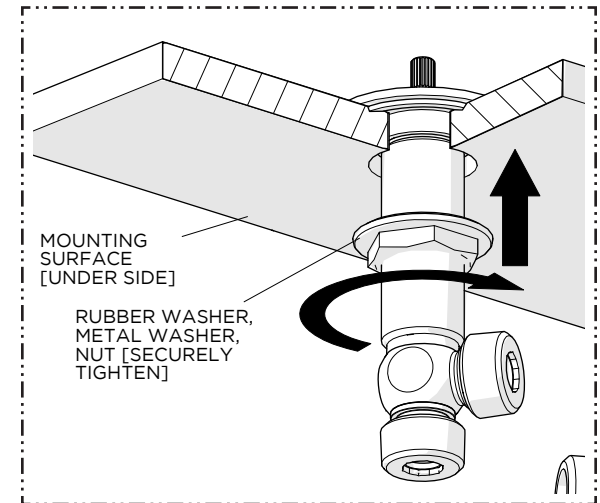


4. Fully thread the NUT down the SIDEBODY.

NOTE: Do NOT remove the LOWER DECK WASHER.



5. Using the GASKET provided, thread the ESCUTCHEON back onto the SIDEBODY until snug then let it rest on the mounting surface.



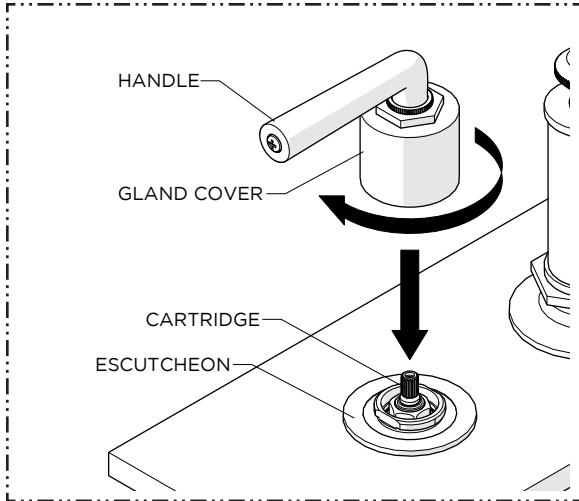
6. Ensure the SIDEBODY is positioned so the SUPPLY HOSE can be easily connected to the TEE then thread and securely tighten the NUT against the underside of the mounting surface.

NOTE: Repeat steps 4 - 6 to install the 2ND SIDEBODY.

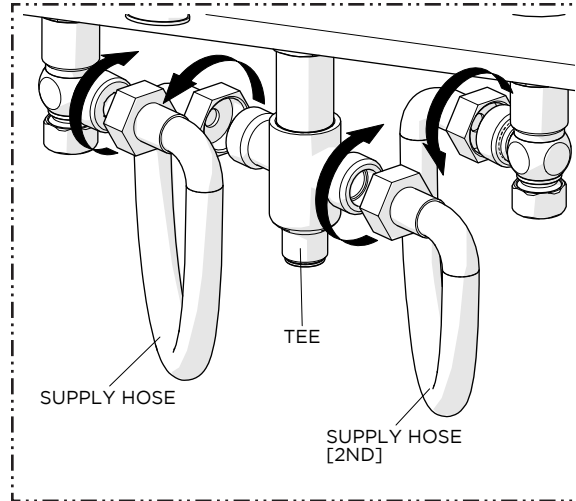
INSTALLATION GUIDELINES

CONCEALED TUB FILLER

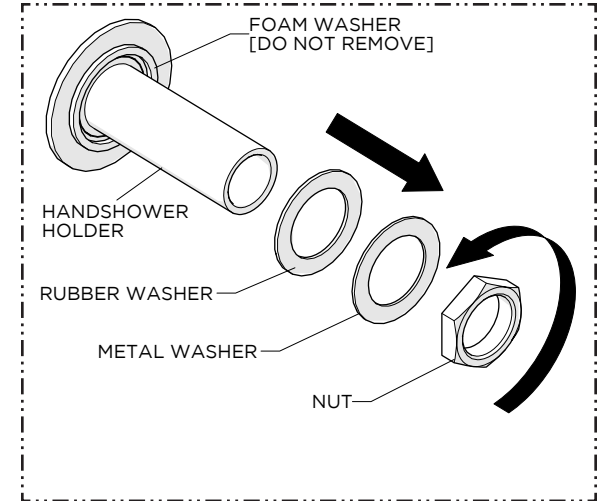
WATERWORKS



7. With the HANDLE in the required orientation, thread the GLAND COVER onto the ESCUTCHEON until snug.

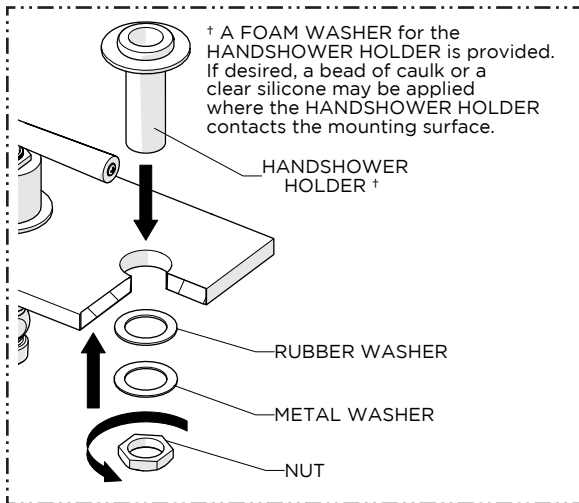


8. Connect the SIDEBODIES to the TEE using the SUPPLY HOSES provided. Securely tighten the HOSES and ensure they are not pinched/kinked.

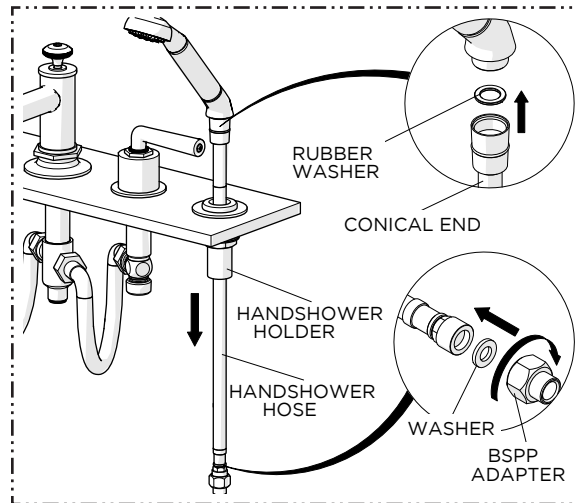


9. Remove the NUT, METAL WASHER, and RUBBER WASHER from the HANDSHOWER HOLDER.

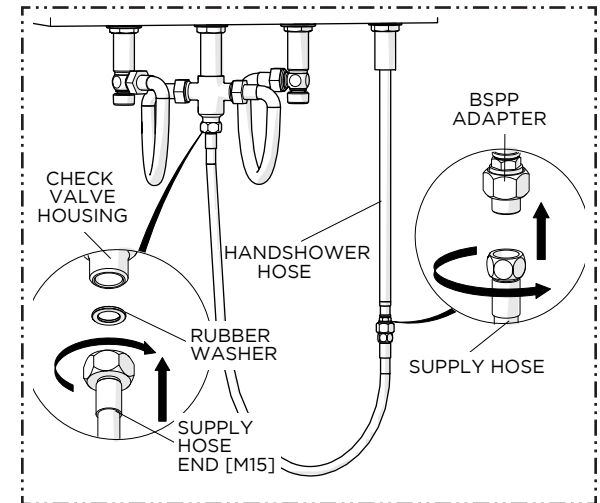
NOTE: Do **NOT** remove the FOAM WASHER beneath the HANDSHOWER HOLDER.



10. Insert the HANDSHOWER HOLDER through the hole on the mounting surface then re-install the WASHERS and securely tighten the NUT.



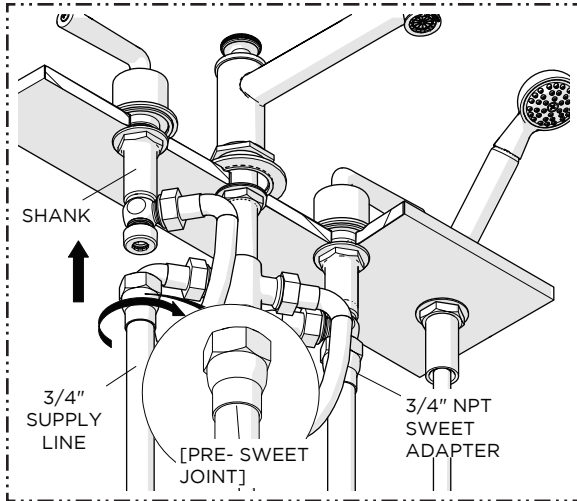
11. Using the RUBBER WASHER provided, thread the conical end of the HANDSHOWER HOSE into the HANDSHOWER then insert the other end of the HANDSHOWER HOSE through the HANDSHOWER HOLDER, then connect the open hose end to the BSPP ADAPTER along with the WASHER provided.



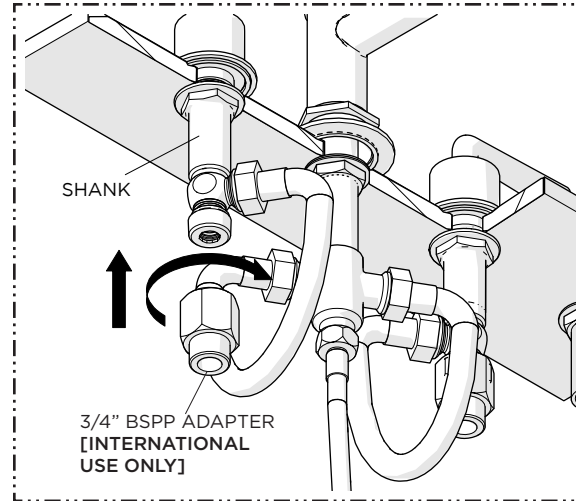
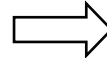
12. Using the RUBBER WASHER provided, thread the SUPPLY HOSE into the CHECK VALVE HOUSING then other end of the HOSE to BSPP ADAPTER in the HANDSHOWER HOSE.

INSTALLATION GUIDELINES

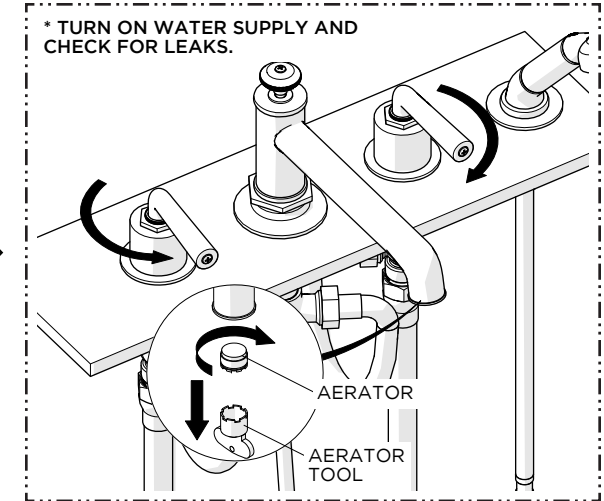
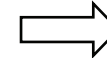
CONCEALED TUB FILLER



13. Pre-sweat 3/4" female NPT x sweat adapters to 3/4" supply lines and let cool. Apply a thin coat of pipe thread sealant to the male threads on the SHANKS then thread and securely tighten the ADAPTERS onto the SHANKS.

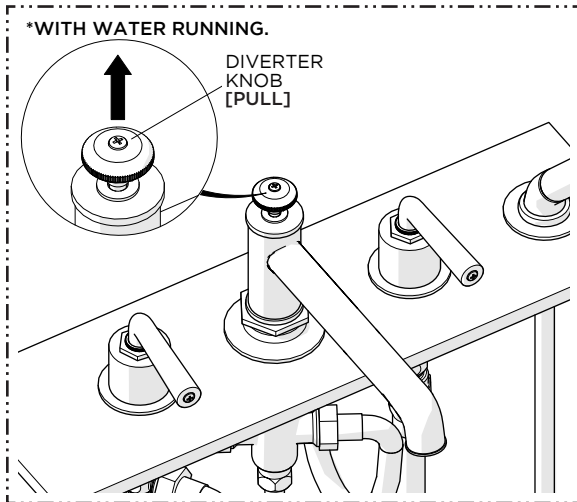


FOR INTERNATIONAL INSTALLATIONS ONLY:
14. 3/4" female NPT x 3/4" male BSPP ADAPTERS are provided. Thread and securely tighten the ADAPTERS onto the SHANKS.

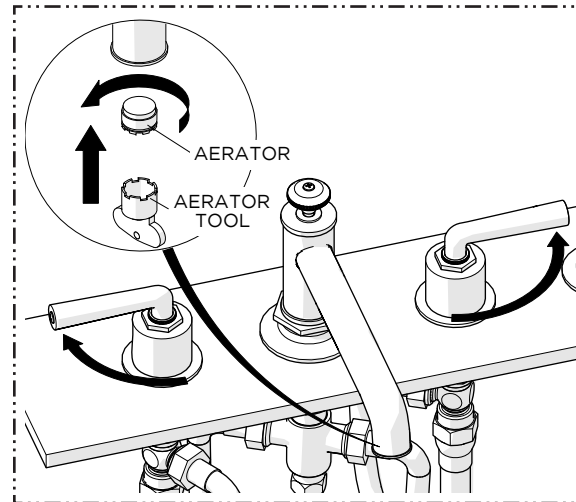


15. Remove the AERATOR using the TOOL provided then turn on the water supply and operate the HANDLES to flush out the supply lines and check all connections for leaks.

NOTE: Ensure the supply lines have been flushed before operating the DIVERTER KNOB.



16. With water running, operate the DIVERTER KNOB to ensure it and the HANDSHOWER function properly.



17. Turn off the water then re-install the AERATOR.