

**LEFT HAND (RIGHT HAND REVERSE BEVEL) HINGE SHOWN,
RIGHT HAND OPPOSITE**

TITLE:

19-2015L Olive Knuckle Cabinet Hinge

DO NOT SCALE DRAWING

SCALE:1:1

SHEET 1 OF 1

Phone: +1-856-997-0222

Fax: +1-856-294-5116

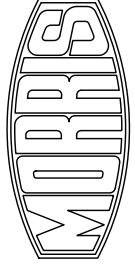
Email: info@ericmorrissandco.com

Web: <http://www.ericmorrissandco.com>

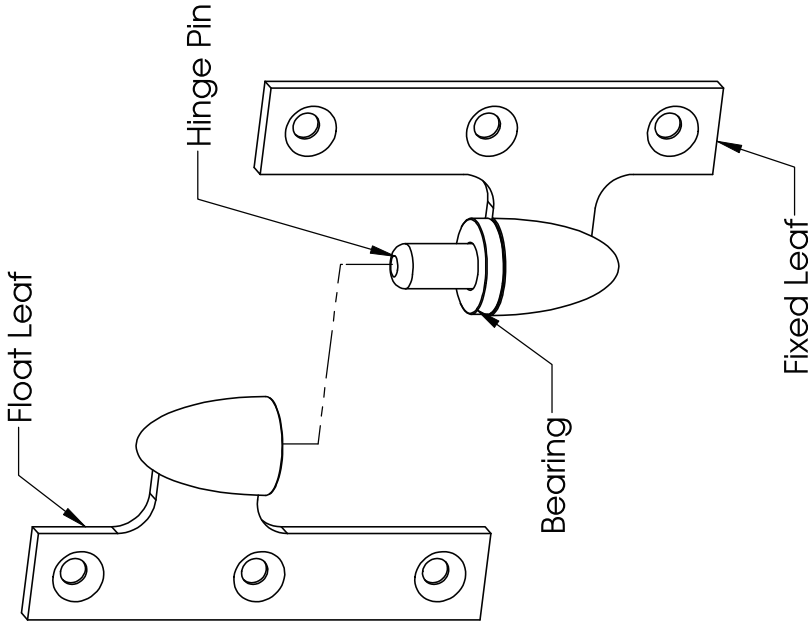
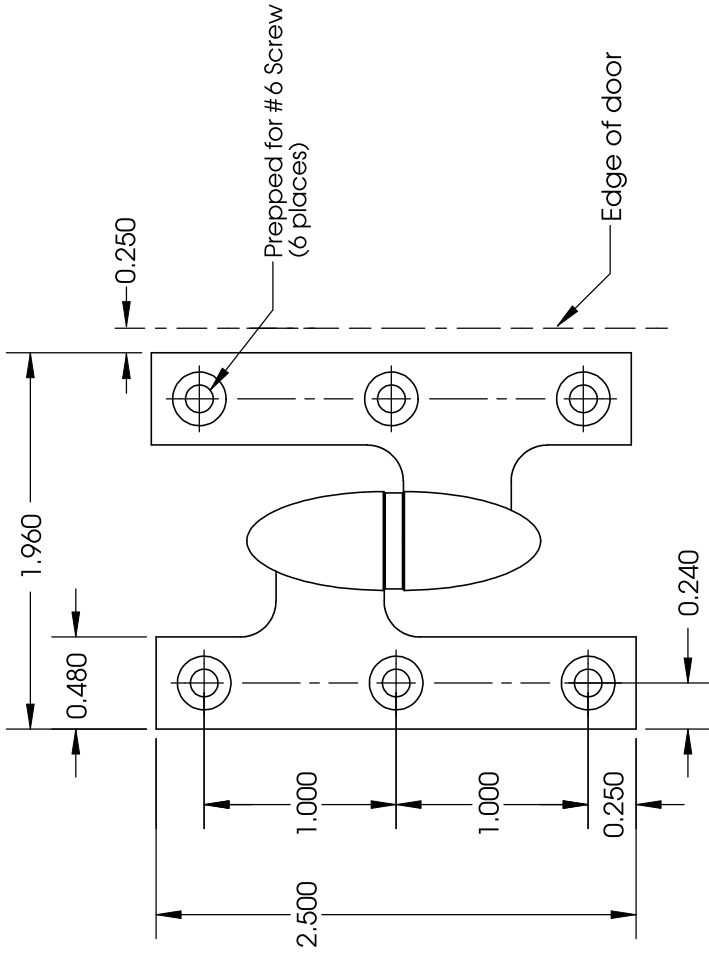
Address: ERIC MORRIS & COMPANY

7249-A Browning Road

Pennsauken, NJ 08109



THE INFORMATION CONTAINED IN THIS DRAWING IS THE SOLE PROPERTY OF ERIC MORRIS & COMPANY. ANY REPRODUCTION IN PART OR AS A WHOLE WITHOUT THE WRITTEN PERMISSION OF ERIC MORRIS & COMPANY IS STRICTLY PROHIBITED.



RIGHT HAND (LEFT HAND REVERSE BEVEL) SHOWN,

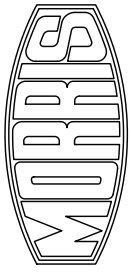
TITLE:

19-2520R Olive Knuckle Cabinet Hinge

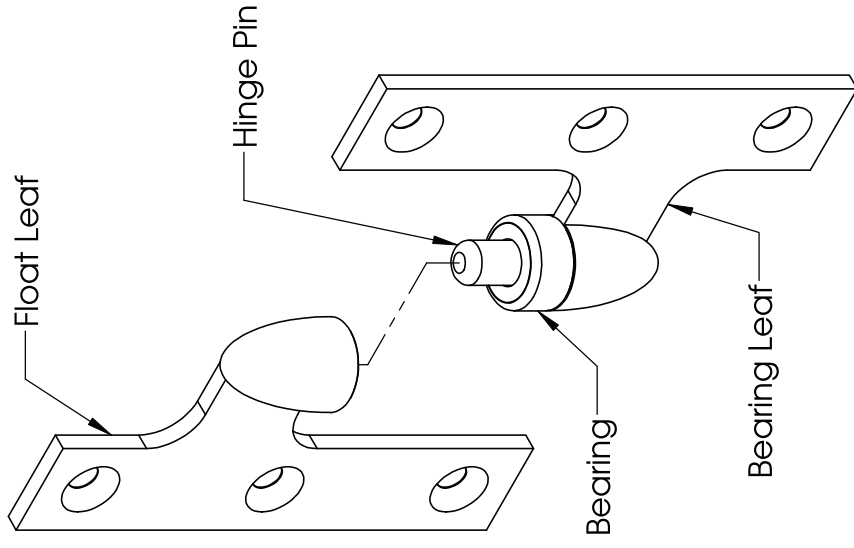
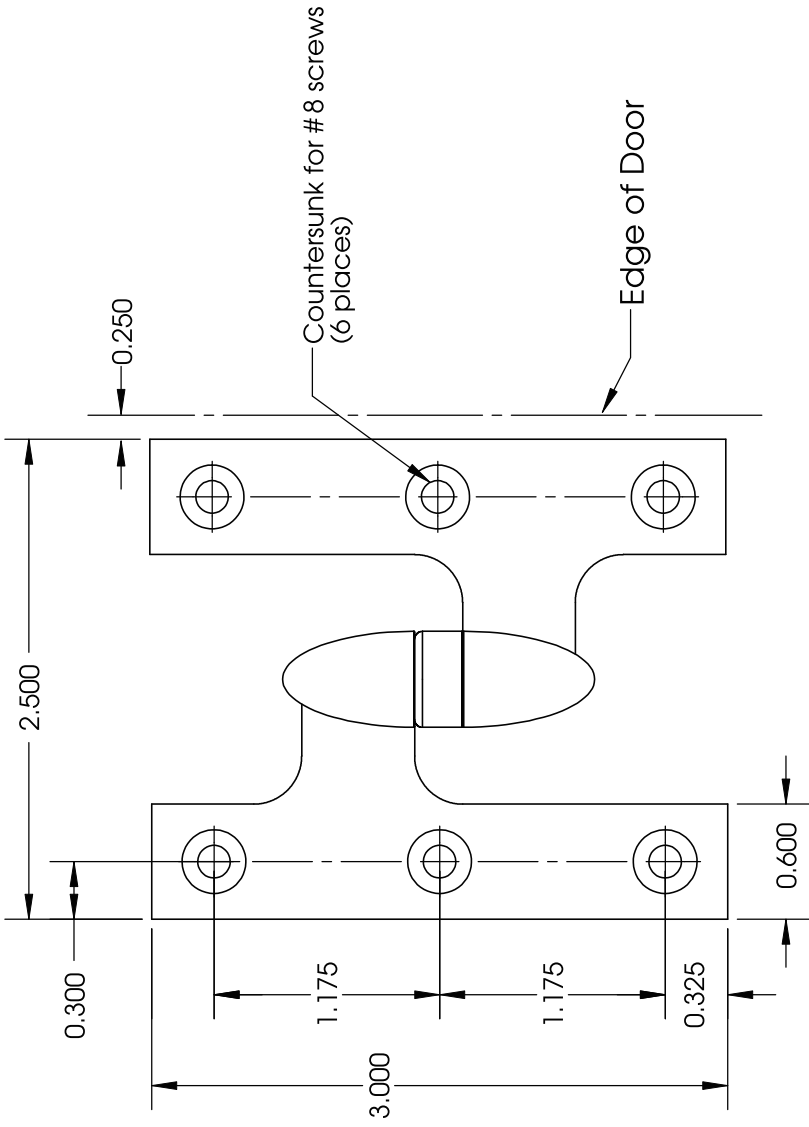
DO NOT SCALE DRAWING

SCALE:1:1 SHEET 1 OF 1

Phone: +1-856-997-0222
 Fax: +1-856-294-5116
 Email: info@ericmorrissandco.com
 Web: <http://www.ericmorrissandco.com>
 Address: ERIC MORRIS & COMPANY
 7249-A Browning Road
 Pennsauken, NJ 08109



THE INFORMATION CONTAINED IN THIS DRAWING IS THE SOLE PROPERTY OF ERIC MORRIS & COMPANY. ANY REPRODUCTION IN PART OR AS A WHOLE WITHOUT THE WRITTEN PERMISSION OF ERIC MORRIS & COMPANY IS STRICTLY PROHIBITED.



**RIGHT HAND (LEFT HAND REVERSE BEVEL) HINGE SHOWN,
LEFT HAND OPPOSITE.**

TITLE:

19-3025R Olive Knuckle Cabinet Hinge

DO NOT SCALE DRAWING

SCALE:1:1

SHEET 1 OF 1

Phone: +1-856-997-0222
 Fax: +1-856-294-5116
 Email: info@ericmorrissandco.com
 Web: <http://www.ericmorrissandco.com>
 Address: ERIC MORRIS & COMPANY
 7249-A Browning Road
 Pennsauken, NJ 08109

