

## Drake® Transitional Two-Piece Toilet, 1.28 GPF

### FEATURES

- TORNADO FLUSH® system, high-efficiency (1.28 GPF/4.8 LPF)
- Transitional style tank
- CEFIONTECT® ceramic glaze minimizes waste from sticking to porous ceramic surfaces.
- Elongated front bowl and seat
- Universal Height
- Chrome plated trip lever
- 12" Rough-in, supply line sold separately

### MODELS

- MS786124CEFG (#01)  
With CEFIONTECT ceramic glaze & includes SS124 SoftClose® seat

### COMPONENTS

- C776CEFGT40  
Elongated bowl with CEFIONTECT
- ST786EA  
Tank and cover only
- SS124  
SoftClose seat

### OPTIONAL COMPONENTS

- THU398(#01, #PN, #BN)  
Trip Lever - Cotton, Polished Nickel, Brushed Nickel

### COLORS/FINISHES

- #01 Cotton



 TORNADO FLUSH  UNIVERSAL HEIGHT

 CEFIONTECT

### PRODUCT SPECIFICATION

The two-piece high-efficiency TORNADO FLUSH system toilet shall be 1.28 GPF/4.8 LPF. Toilet shall have CEFIONTECT ceramic glaze and be at Universal Height. Toilet shall have high-profile tank, elongated front bowl with SoftClose seat and Chrome trip lever. Toilet shall be TOTO Model MS786124CEFG#01.

### CODES/STANDARDS

- Meets and exceeds ASME A112.19.2/CSA B45.1
- Certifications: IAPMO(cUPC®), EPA WaterSense, State of Massachusetts, City of Los Angeles, and others
- Code Compliance: UPC, IPC, NSPC, NPC Canada, and others
- Legislative Compliance: California Green Building Code, City of Los Angeles Water Efficiency Ordinance, and others
- ADA compliant (when installed with trip lever located on the approach side)
- Complies with CA Prop 65 warning requirements



# MS786124CEF(G)

## Drake® Transitional Two-Piece Toilet, 1.28 GPF

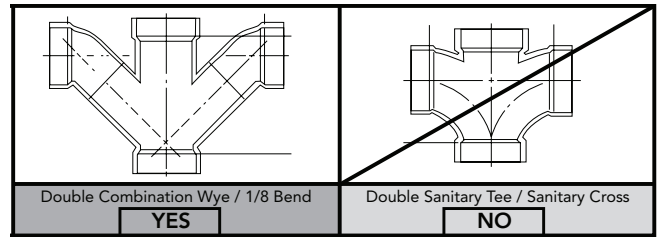
### SPECIFICATIONS

<b>Water Use</b>	1.28 GPF (4.8 LPF)
<b>Flush System</b>	TORNADO FLUSH®
<b>Min. Water Pressure</b>	8 psi (Flowing)
<b>Water Surface</b>	9" x 6-7/8"
<b>Trap Diameter</b>	2-1/8"
<b>Rough-in</b>	12"
<b>Trap Seal</b>	2-1/8"
<b>Warranty</b>	One Year Limited Warranty
<b>Material</b>	Vitreous China
<b>Shipping Weight</b>	C776CEFGT40 62 lbs. ST786EA 34 lbs.
<b>Shipping Dimensions</b>	C776CEFGT40 30-1/8" L x 15-1/4" W1 x 10-7/8" W2 x 17-3/4" H ST786EA 20" L x 9-3/8" W x 15-5/8" H

### INSTALLATION NOTES

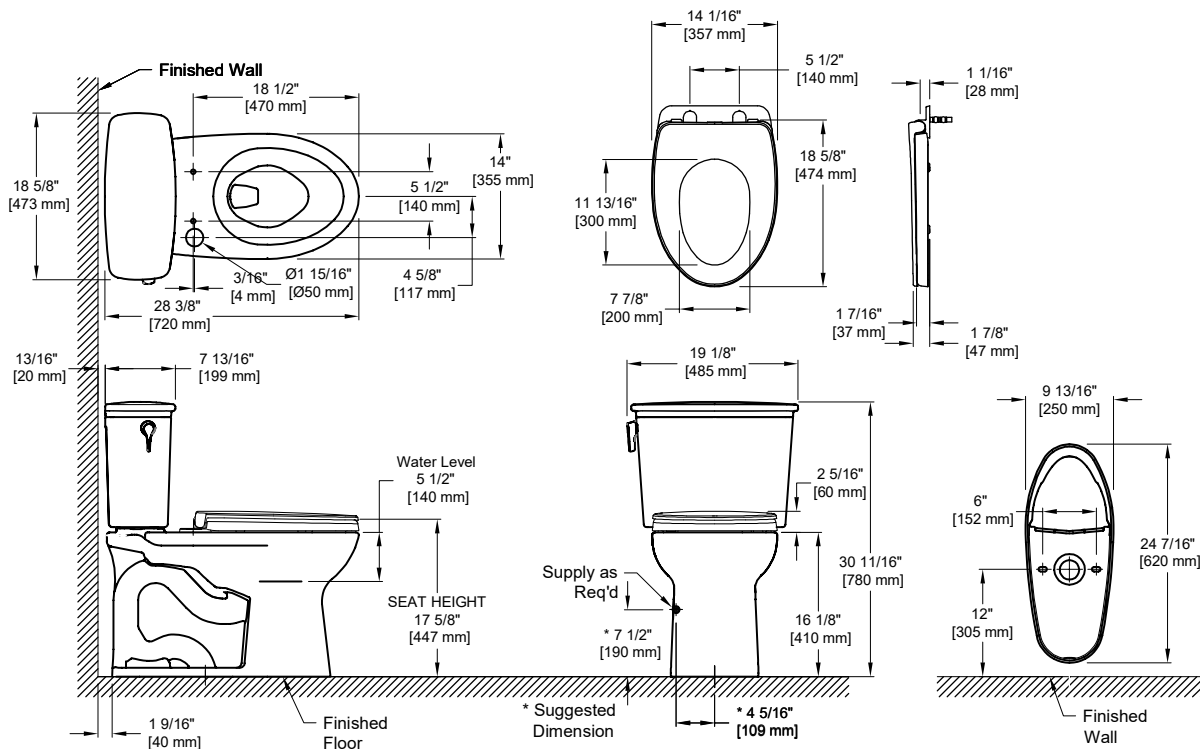
#### Back-to-Back Toilet Installations:

TOTO recommends the use of a nationally listed, double sanitary tee-wye only, in vertical waste stacks, in accordance with the stipulations noted in the majority of nationally recognized plumbing codes.



To maintain adequate wall gap between the back of the tank and wall, mount the floor flange at a nominal 12" rough-in distance.

### DIMENSIONS



**TOTO®**

*These dimensions and specifications are subject to change without notice*