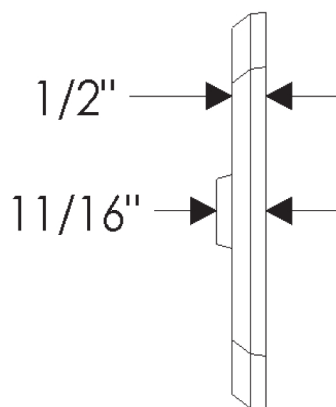
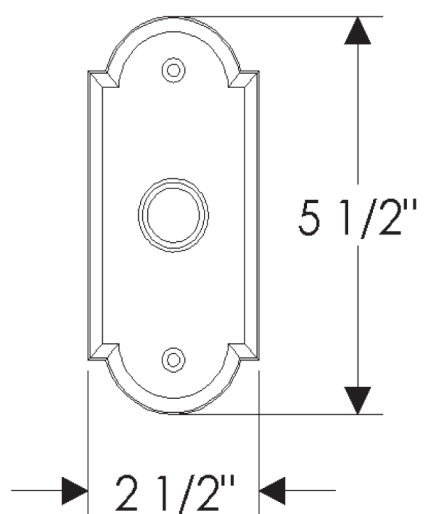


Arched Collection



E701
Arched Escutcheon
 $2 \frac{1}{2}$ " x $5 \frac{1}{2}$ "