

# ALEXANDRIA

## Toilet Tissue Holder **22-27**

### Features

- Solid brass construction
- Single-post, open roller design
- Complements Alexandria product series

### Codes / Standards Compliance

Meets or exceeds the following at date of manufacture:

- All applicable US Federal and State material regulations

### Colors / Finishes

- 10B: Oil Rubbed Bronze
- 15: Polished Nickel
- 15S: Satin Nickel - PVD
- 26: Polished Chrome
- Other: Refer to the Newport Brass catalog for additional color/finish options.



### Specified Model

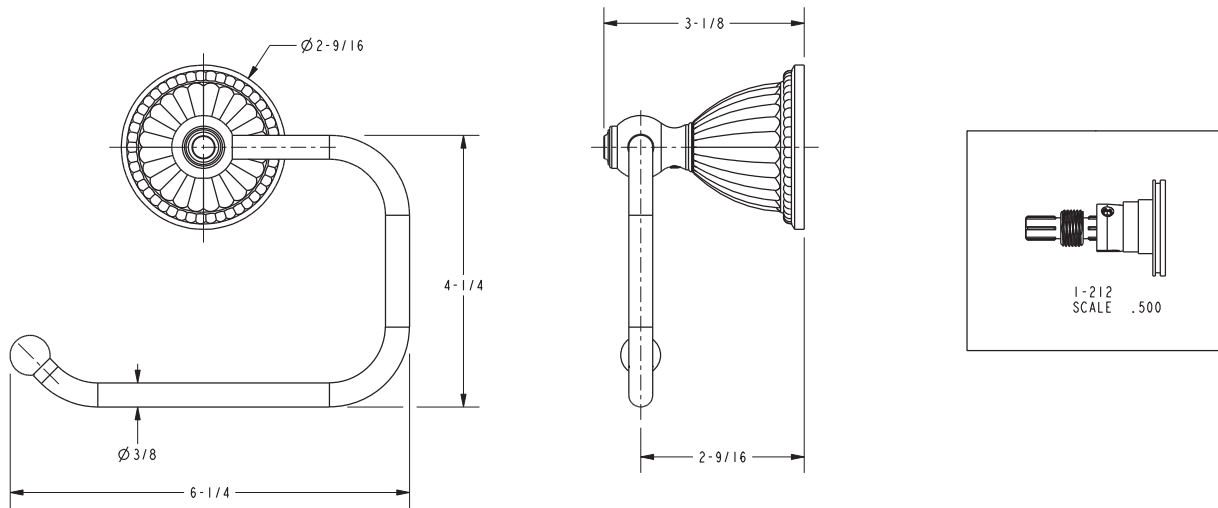
Model	Description	Colors   Finishes
22-27	Open Toilet Tissue Holder	<input type="checkbox"/> 10B <input type="checkbox"/> 15 <input type="checkbox"/> 15S <input type="checkbox"/> 26 <input type="checkbox"/> Other

### Product Specification: Add "Color / Finish" suffix to Model number, below.

The Toilet Tissue Holder shall be made of solid brass construction and incorporate a single-post, open roller design. Toilet Tissue Holder shall complement Newport Brass Alexandria product series. Toilet Tissue Holder shall be Newport Brass Model 22-27/\_\_\_\_\_.

# 22-27

## PRODUCT DIMENSIONS *(Units are in inches)*



### Alexandria Toilet Tissue Holder 22-27