

Features

- Solid brass construction
- Soft touch air activated
- 6' supply air hose
- U/L listed 120VAC -15 amp indoor use only outlet adapter
- 15/16" (2.4 cm) trim height
- 1-15/16" (4.9 cm) trim square
- Complements Zemora Series

Air Activated Disposer Switch Kit

3160-5811

Also 20-380



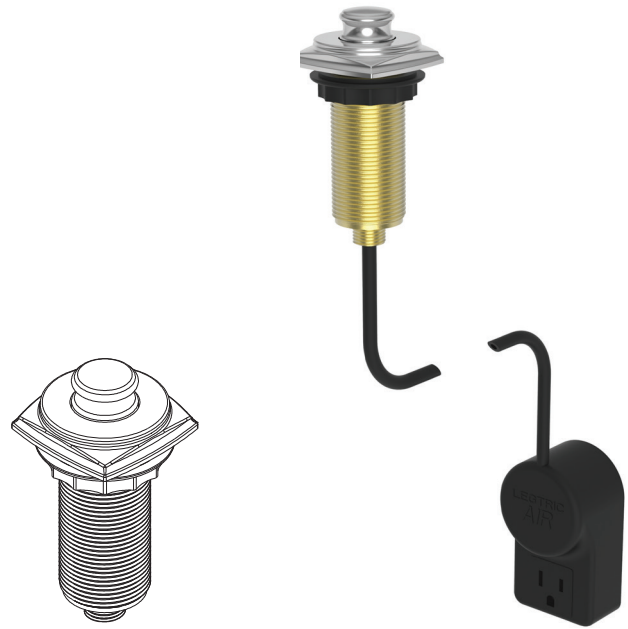
Codes / Standards Compliance

Meets or exceeds the following at date of manufacture:

- U/L
- All applicable US Federal and State material regulations

Colors / Finishes

- 10B: Oil Rubbed Bronze
- 15: Polished Nickel
- 15S: Satin Nickel - PVD
- 26: Polished Chrome
- Other: Refer to the Newport Brass catalog for additional color/finish options.



20-380

3160-5811

Specified Model

Model	Description	Colors Finishes				
3160-5811	Air Activated Disposer Switch Kit	<input type="checkbox"/> 10B	<input type="checkbox"/> 15	<input type="checkbox"/> 15S	<input type="checkbox"/> 26	<input type="checkbox"/> Other
20-380	Air Activated Disposer Switch Trim	<input type="checkbox"/> 10B	<input type="checkbox"/> 15	<input type="checkbox"/> 15S	<input type="checkbox"/> 26	<input type="checkbox"/> Other

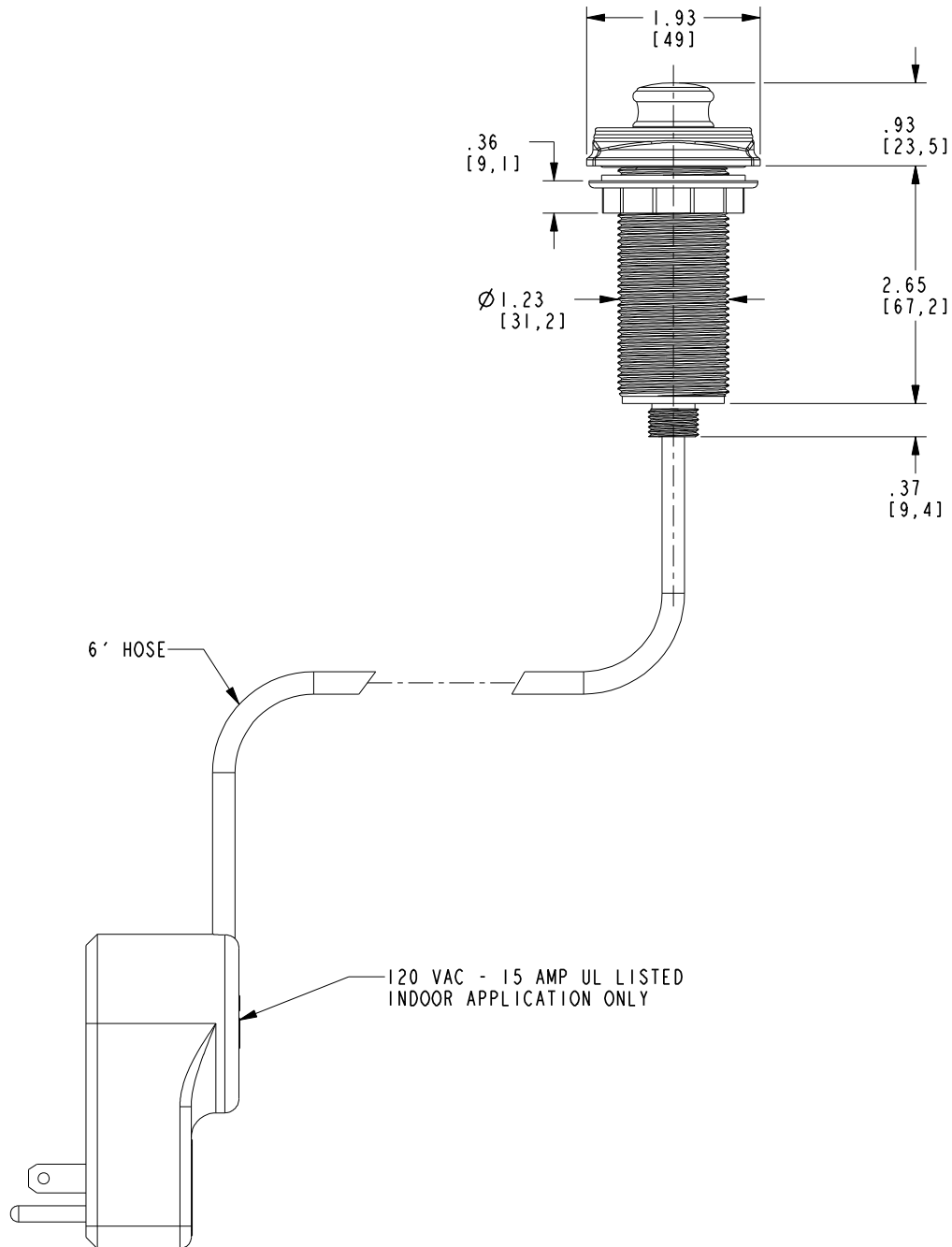
* Note: Requires 1-1/4" to 1-11/16" through hole. Accommodates 2-1/4" maximum deck thickness.

Product Specification Add "Color / Finish" suffix to Model number, below.

Air Activated Disposer Switch trim shall be made of solid brass construction. Air Activated Disposer Switch shall include 6' of supply air hose. Air Activated Disposer Switch shall include U/L listed 120VAC -15 amp indoor use only outlet adapter. Air Activated Disposer Switch shall be Newport Brass Model 3160-5811/____ .

3160-5811

PRODUCT DIMENSIONS *(Units are in inches)*



Zemora Air Activated Disposer Switch Kit 3160-5811