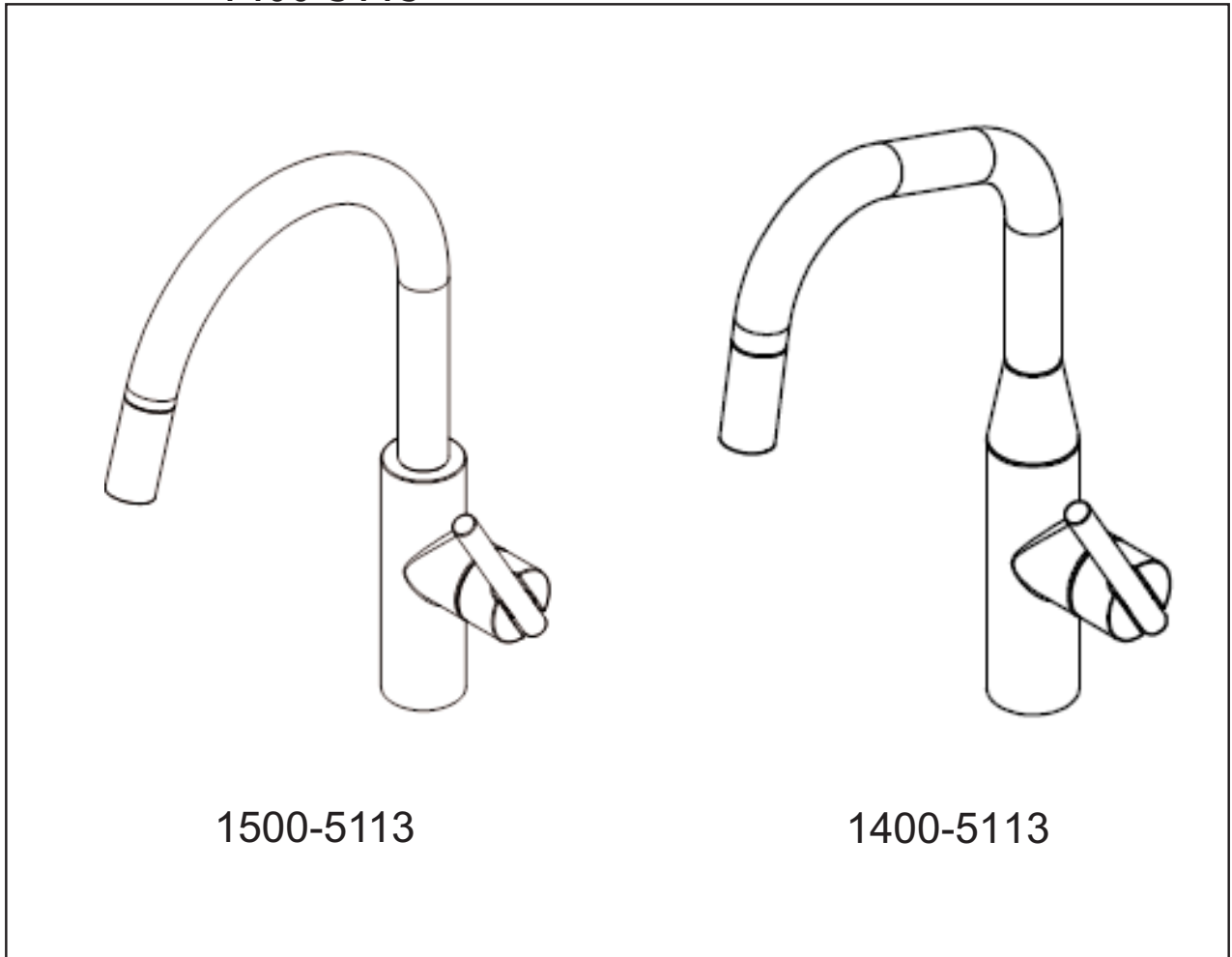


INSTALLATION INSTRUCTIONS  
KITCHEN FAUCET WITH  
PULLDOWN SPRAY

NEWPORT BRASS®  
Flawless Beauty. From Faucet to Finish.™

Model No's: 1500-5113,  
1500-5223,  
1400-5113



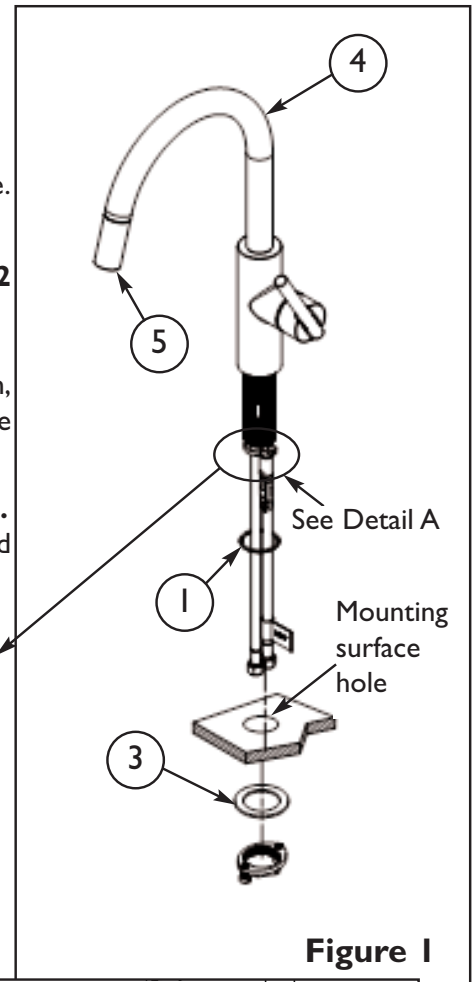
**Congratulations on the purchase  
of your Newport Brass product,  
an excellent choice, that will give you  
years of quality service and enhance  
the look and style of your home.**

## Recommended Installation by a Professional Plumbing Contractor

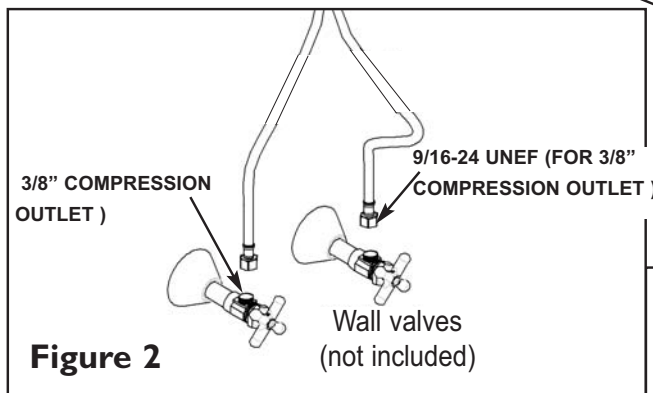
**Note:** The use of petroleum base plumbers putty on our products will nullify the warranty. We recommend the use of clear silicone sealing materials.

If mounting faucet to stainless steel rim, an under-mount support, (e.g. wood, appropriate size x 1/2" thick), should be utilized.

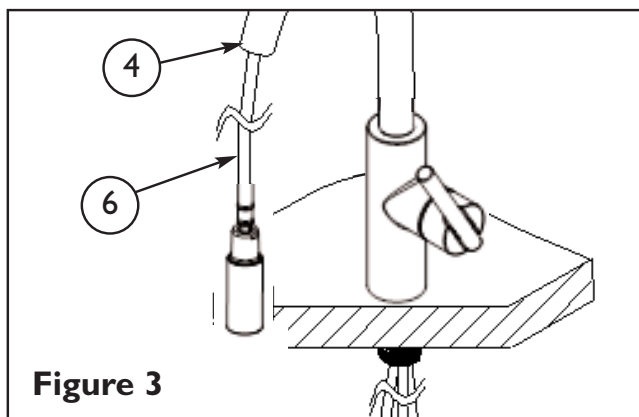
1. Drill hole in mounting surface. Recommended deck hole  $\text{Ø}1.350''$  not to exceed  $\text{Ø}1.562''$ .
2. Insert Hoses through base O-RING (1) and hole in mounting surface. Secure into place with MOUNTING KIT (3). **See Figure 1.**
3. Attach hot/cold spout supply directly to valves in the wall. **See Fig. 2**
4. **DO NOT** remove the HOSE (6) from SPOUT (4). **See Figure 3.**
5. Attach WEIGHT (9) to HOSE (6) in the appropriate area shown, on the upward swing toward the SPRAYHEAD (5), in order to provide proper pull to hose. **See Figure 4.**
6. Connect HOSE (6) to valve OUTLET(8). **See Figure 4.** Attach CLIP (7) to the connection between HOSE (6) and OUTLET(8). **See Figure 4a.**



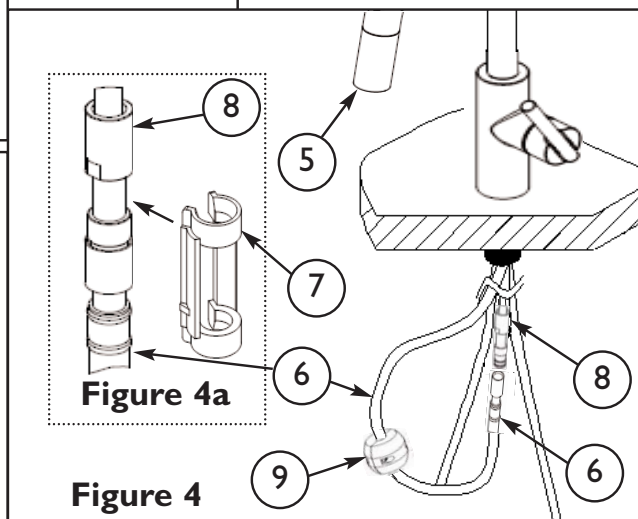
**Figure 1**



**Figure 2**

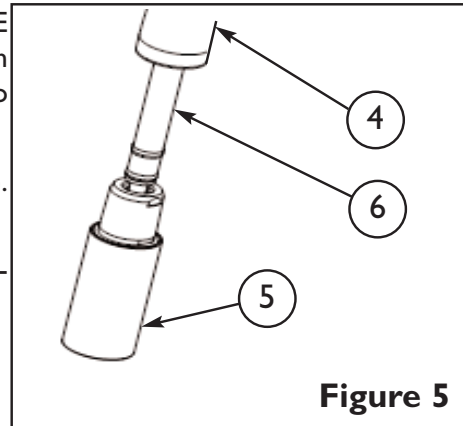


**Figure 3**



**Figure 4**

8. With faucet in the OFF position, open water supply valves. Inspect connections under sink for leaks. **DO NOT** turn faucet on yet.
9. Pull SPRAYHEAD (5) out from SPOUT (4). While holding HOSE (6), detach SPRAYHEAD (5). Aiming HOSE (6) into sink, turn on faucet to center position (mixed) and flush for one minute to remove debris from lines.
10. Turn OFF faucet and reattach SPRAYHEAD (5) to HOSE (6). **See Figure 5.**
11. Check the SPRAYHEAD (5) by operating the trigger from aerator to spray.



**Figure 5**

**BILL OF MATERIAL (CURRENT LEVEL)**

ITEM	PT/ASSY	DESCRIPTION	TYPE	QTY.
1	2-782	MAIN BODY ASM, EAST LINEAR	ASSEMBLY	1
2	91712	SLEEVE	PART	1
3	1-064	SINGLE LEVER CARTRIDGE	PART	1
4	2-781	CART. RETAINER ASM	ASSEMBLY	1
5	2-792	HANDLE HUB ASM, CONTEMP	ASSEMBLY	1
6	11874	HANDLE ADAPTER SCREW	PART	1
7	91534	CARTRIDGE STEM INSERT	PART	1
8	12491*	SPOUT	PART	1
9	12753	SPOUT ADAPTER	PART	1
10	91030	O-RING, #2- 115, EPDM, 65-75 DURO, NSF 61	PART	4
11	91544	MAGNET DOCKING	ASSEMBLY	1
12	3-480	SPRAY HEAD, EAST LINEAR	ASSEMBLY	1
13	11877**	HOSE, PULLDOWN SWIVEL	ASSEMBLY	1
14	91255	O-RING, #2- 011, EPDM, 65-75 DURO, NSF-61	PART	2
15	91568	RETAINER CLIP	PART	1
16	1-256	MOUNTING KIT	ASSEMBLY	1
17	2-780	HANDLE ASM	ASSEMBLY	1
18	91341	ZIP TIE	PART	1
19	98044	LABEL - HOT	PART	1
20	1-286***	WEIGHT ASM	ASSEMBLY	1

**NOTE:**  
\* ITEM 8:  
- ORDER 12494 FOR 1500-5223  
- ORDER 13113 FOR 1400-5113  
\*\* ITEM 13:  
- ORDER 11877A FOR 1400-5113  
\*\*\* ITEM 20:  
- ORDER 1-286A FOR 1400-5113

**Figure 6 - Spare Parts**