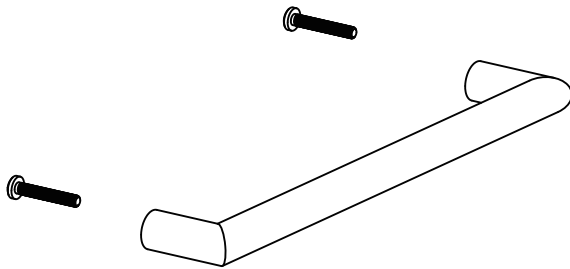
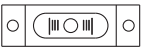
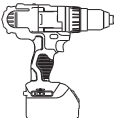





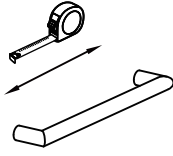
## OSLO COLLECTION CABINET PULL

- 4" 144704
- 6" 144706
- 8" 144708
- 12" 144712
- 18" 144718

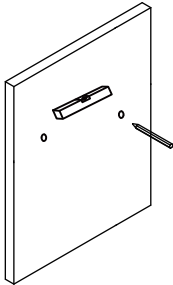


**Tools required for installation**

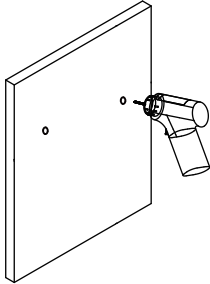
		
Level	Drill	Pencil
		
Screwdriver	Hammer	



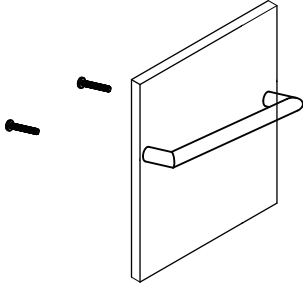
**Step 1**  
Measure the Center to Center distance of pull with tape.



**Step 2**  
Mark the holes position with pencil, make sure the holes are level.



**Step 3**  
Drill holes on the board.



**Step 4**  
Fix the screws onto pull and tighten it.