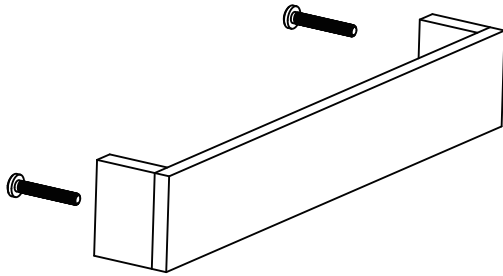

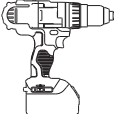

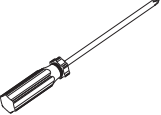



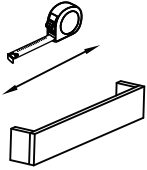
BERLIN COLLECTION CABINET PULL

- 4" 232704
- 6" 232706
- 8" 232708
- 12" 232712

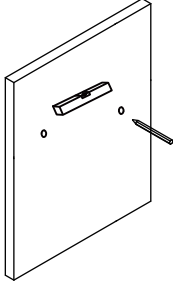


Tools required for installation

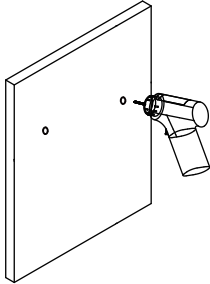
 Level	 Drill	 Pencil
 Screwdriver		 Hammer



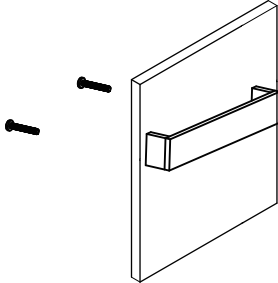
Step 1
Measure the Center to Center distance of pull with tape.



Step 2
Mark the holes position with pencil, make sure the holes are level.



Step 3
Drill holes on the board.



Step 4
Fix the screws onto pull and tighten it.