

# JASON<sup>®</sup>

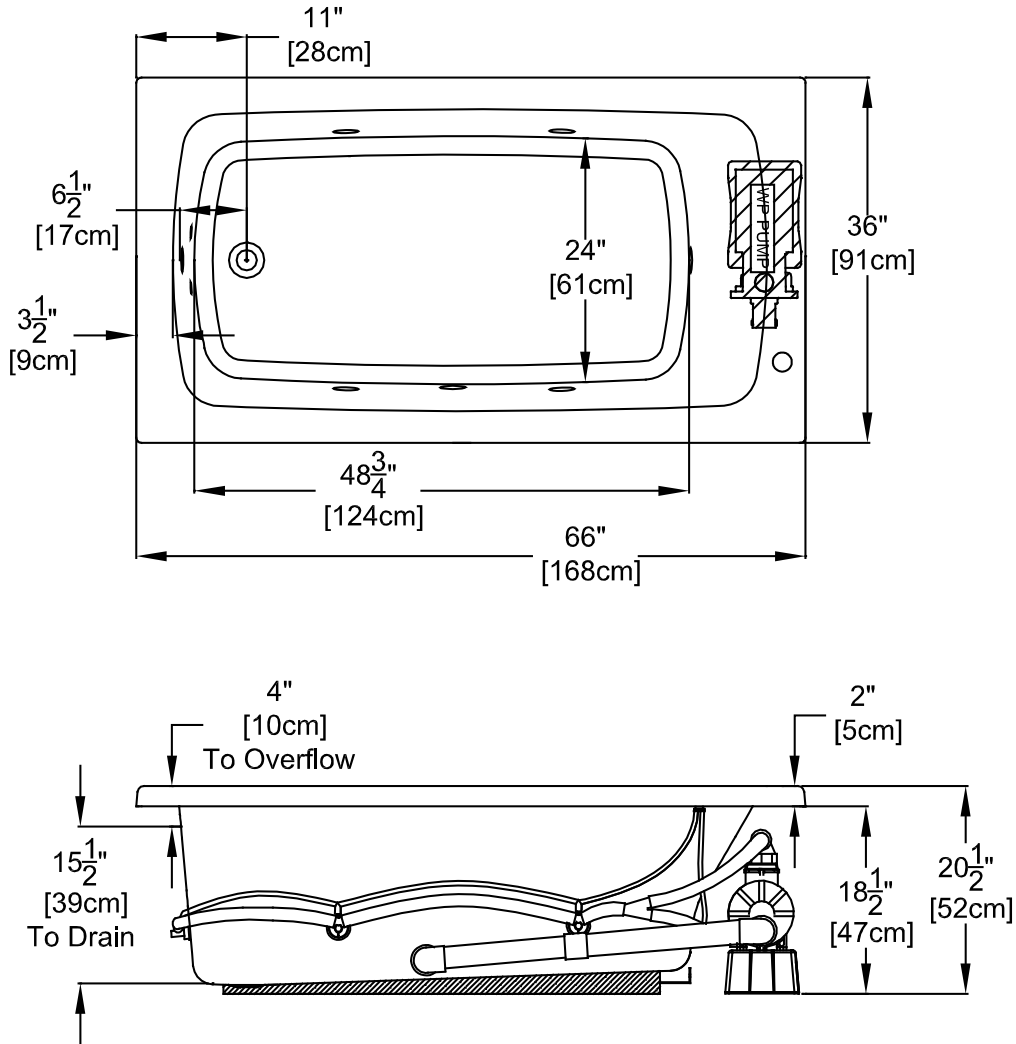
HYDROTHERAPY

8328 MacArthur Dr. • North Little Rock, AR 72118  
 501.771.4477 • Fax: 501.771.2333  
 Customer Service: 800.255.5766  
 www.jasoninternational.com

## Integrity<sup>®</sup> Collection Specifications

# K3666

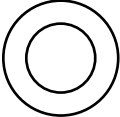
### Whirlpool & Soaking



Patents received or pending.

Note: Dimensional Tolerances: ±1/4"

Air Switch Control



Includes a quiet, 120v, 1HP, 1-speed pump and an air switch on/off control. Requires (1) 20A, 120v GFCI protected circuit.

<b>Drop-in-Hole Size:</b>	34" x 64"
<b>Operating Capacity:</b>	48 Gal.
<b>Overflow Capacity:</b>	75 Gal.
<b>Floor Loading / sq.ft (WP/Soaking):</b>	49.8 / 47.2 lbs.
<b>Carton Wt. (WP/Soaking):</b>	108 / 73 lbs.
<b>Cube:</b>	34.3 ft. <sup>3</sup>

**Construction:** Reinforced Acrylic shell mounted on Level Form™ pre-leveled full support base.

*We provide products listed with Intertek ETL SEMKO (Edison Testing Laboratories) U.S. and Canadian and with International Association of Plumbing and Mechanical Officials (IAPMO). Consult factory with your listing requirements.*