

# PARK AVE FRAMED MIRROR CABINET

## GC2030-6-SC-PA

Side Mirror Kit - Order for Surface Mount, #SMK6-30; or Semi Recessed #SRMK2-30  
 Beveled Mirror also available (add "BM" to model code)

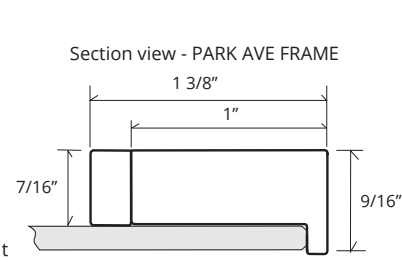
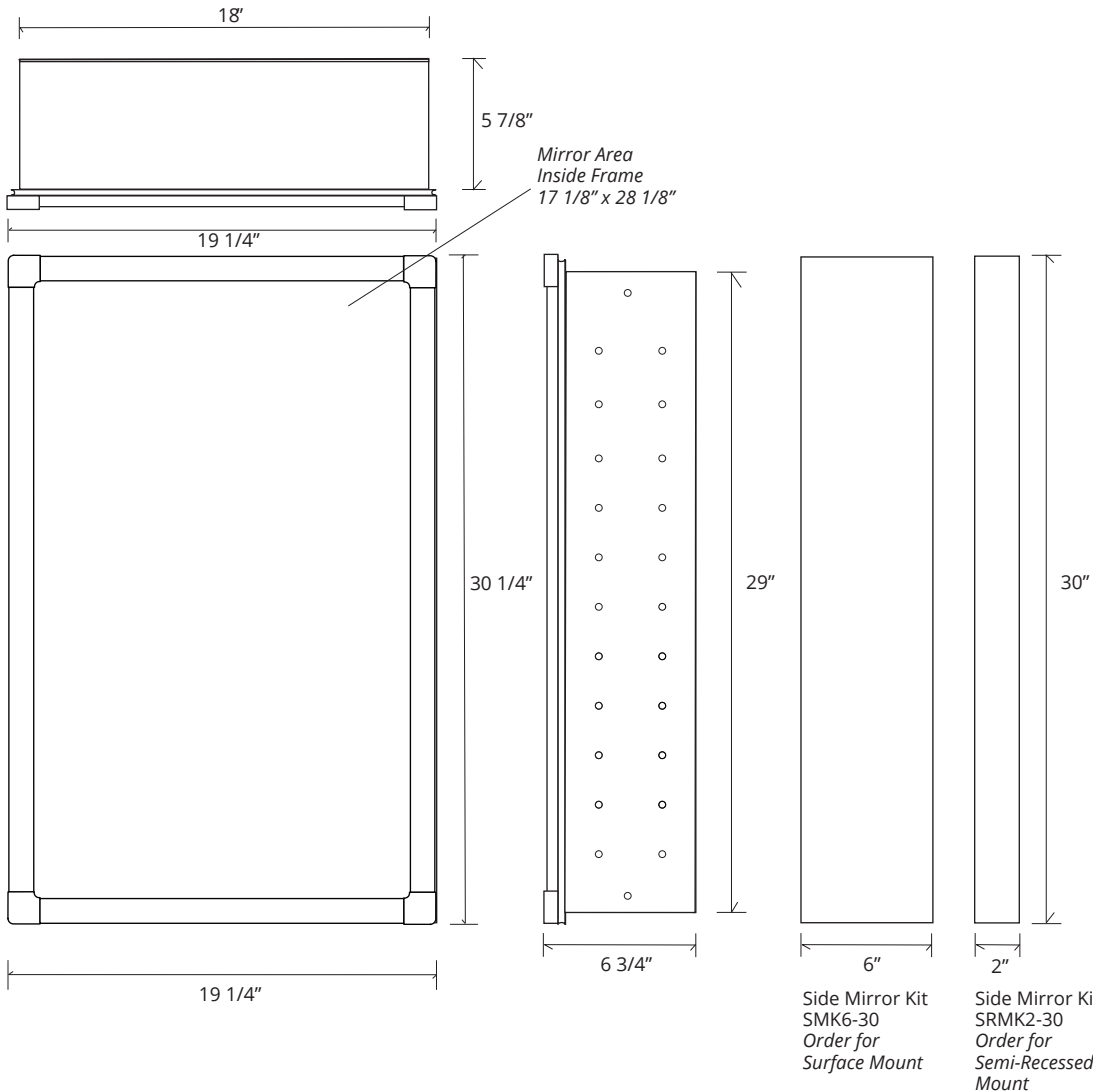
### SPECIFICATIONS

Roughing-in Opening	18 3/8" x 29 3/8"
Overall Dimensions	19 1/4" x 30 1/4"



Finishes: Polished Chrome, Polished Nickel, Brushed Nickel, Oil Rubbed Bronze

GLASSCRAFTERS INC.



GLASSCRAFTERS, INC.  
 193 Veterans Blvd. Carlstadt, NJ 07072  
 1+ (800) 233-7362 (F) 1+ (888) 233-7362  
 sales@glasscraftersinc.com

Products That Reflect Your Style