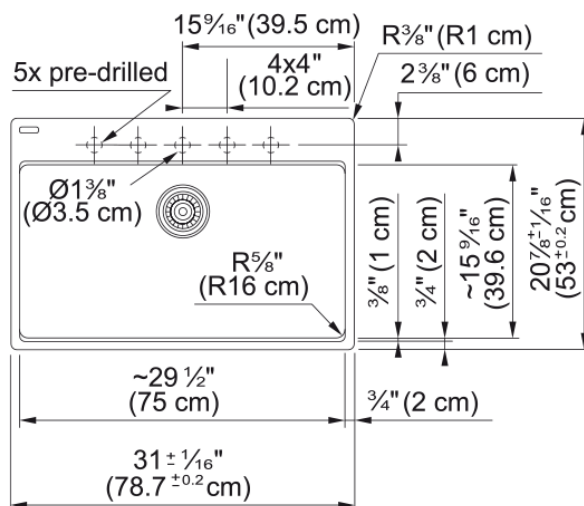


# Maris Topmount Sink - MAG61029-OYS | 114.0687.103



## Technical Data

### Aspect

|                  |         |
|------------------|---------|
| Sink type        | Sink    |
| Type of material | Granite |
| Number of bowls  | 1       |
| Color            | Oyster  |
| Finish           | None    |

### Product Dimensions

|                                |        |
|--------------------------------|--------|
| Exterior size: right to left   | 31     |
| Exterior size: front to back   | 20.874 |
| Large bowl size: right to left | 29.449 |
| Large bowl size: front to back | 15.512 |
| Large bowl: depth              | 9.488  |

### Installation

|                      |     |
|----------------------|-----|
| Minimum cabinet size | 33" |
|----------------------|-----|

### Product specifications

|                     |                    |
|---------------------|--------------------|
| Installation type   | Topmount / drop in |
| Drain hole          | 3 1/2"             |
| Position of drainer | No drainer         |

### Product identification

|                |        |
|----------------|--------|
| Product brand  | FRANKE |
| Product family | Maris  |
| Collection     | Maris  |
| Certified by   | IAPMO  |

### Features

|                            |            |
|----------------------------|------------|
| Drainers number            | No drainer |
| Product reversibility      | No         |
| Faucet ledge               | Yes        |
| Strainer assembly included | No         |

## Features

|                        |                |
|------------------------|----------------|
| Strainer assembly type | No waste kit   |
| Overflow               | No             |
| Number of faucet holes | 5 - pre-scored |
| Soap dispenser hole    | No             |