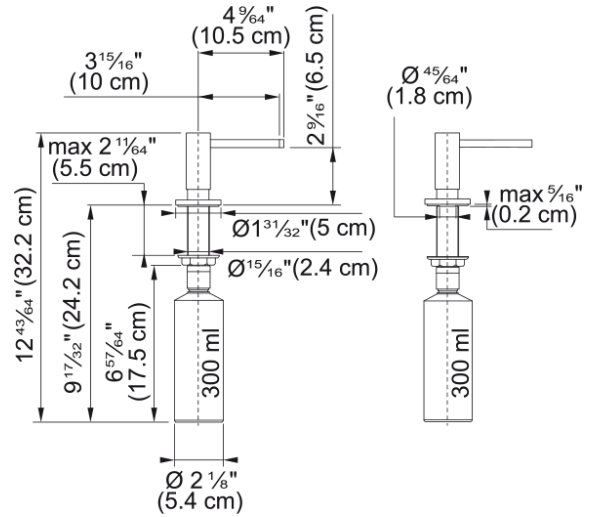


Active Soap Dispenser - ACT-SD-CHR | 119.0547.902



Technical Data

Aspect

Type of material	Brass
Color	Polished chrome
Accessory type	Soap dispenser

Product identification

Product family	None
Collection	Active

Features