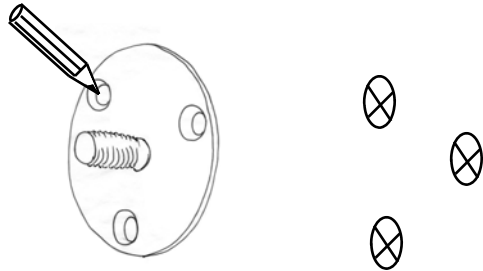
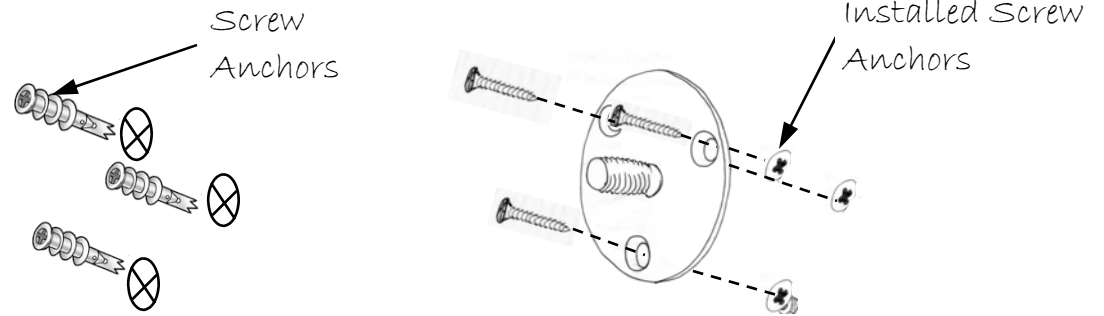


Toilet Paper Holder - Installation Instructions

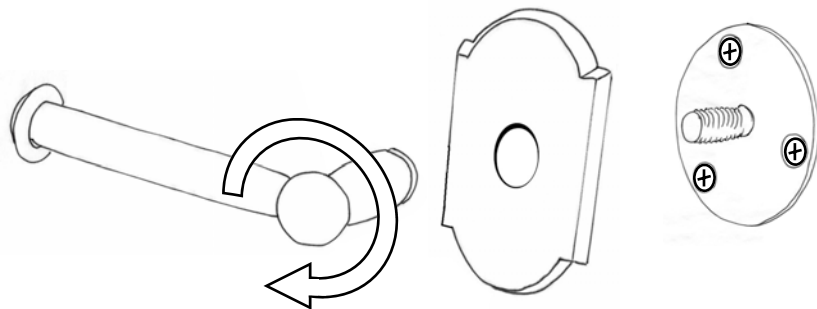
- 1 Mark three hole locations for the mounting plate.



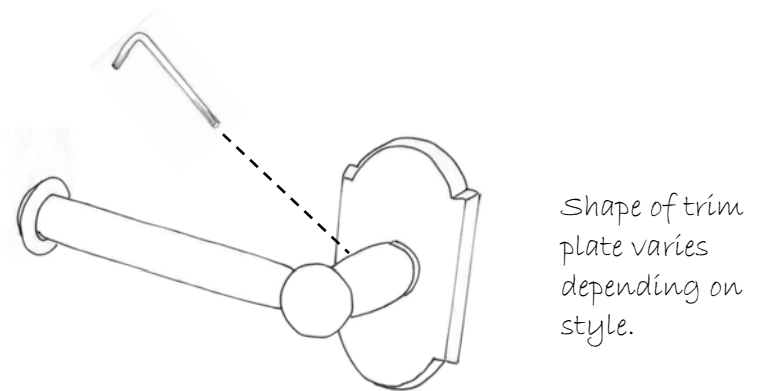
- 2 Use a screw driver to install three Screw Anchors into the wall. Install mounting plate on top of the Screw Anchors. Attach with sheet metal screws provided.



- 3 Slip trim plate over the threaded stud on the mounting plate. Thread TP Holder onto the threaded stud until tight against trim plate.



- 4 Tighten set screw at base of post with allen wrench provided. Holder may be mounted vertically or horizontally.



Shape of trim plate varies depending on style.