



## Bathtub - CL.1

Single-lever tub mixer for deck-mounted tub installation - polished chrome

Article number: 29 300 670-00

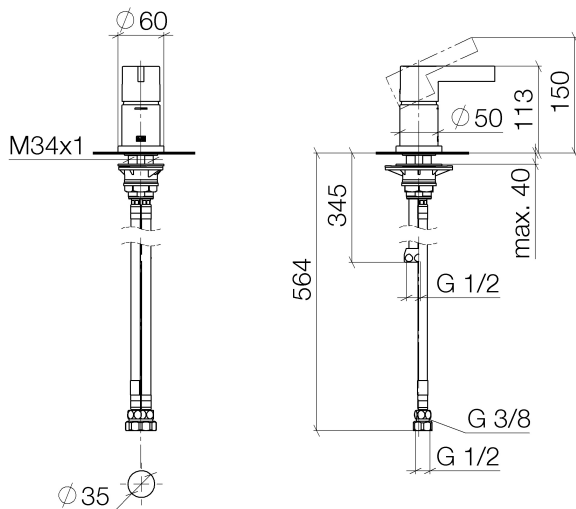


- Flange 2-3/8" x 2-3/8"
- 1-3/8" hole diameter
- Water flow rate limited to max. 9.4 gpm
- Fittings group in compliance with DIN 4109: 2
- NOTE: Local building codes may require the use of an anti-scald device. Please refer to remote pressure balance valve (35 910 970 90)
- (ADA)



polished chrome

## Dimensional drawing



All dimensions in mm / inch = mm x 0,0394

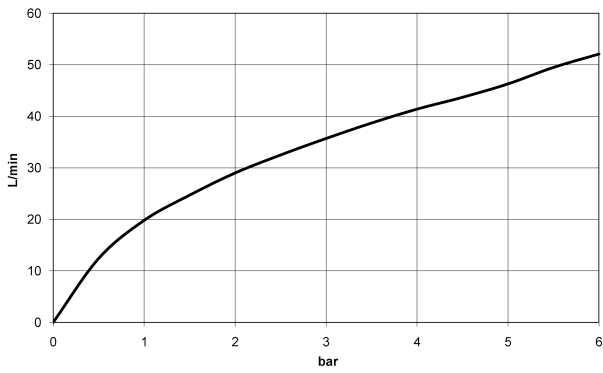


Bathtub - CL.1

Single-lever tub mixer for deck-mounted tub installation - polished chrome

Article number: 29 300 670-00

Flow rate chart





## Bathtub - CL.1

Single-lever tub mixer for deck-mounted tub installation - polished chrome

Article number: 29 300 670-00

### Other surface finishes



platinum matte  
29 300 670-06



platinum  
29 300 670-08



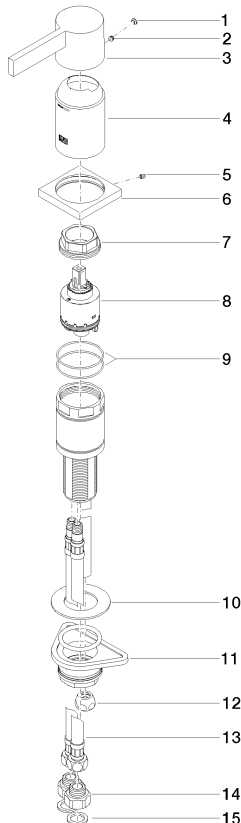
Brushed Durabrass  
29 300 670-28



Dark Platinum matte  
29 300 670-99

More custom finish options are available via special production (xTra Service). Please see our finish matrix for availability and pricing or contact a Dornbracht representative.

### Spare parts list



| Number | Item Number        | Designation        | Number of units |
|--------|--------------------|--------------------|-----------------|
| 1      | 90 31 20 087 00-00 | plug               | 1               |
| 2      | 09 31 11 063 90    | pin                | 1               |
| 3      | 09 20 67 014-00    | handle             | 1               |
| 4      | 09 28 30 037-00    | cover              | 1               |
| 5      | 09 31 11 044 90    | pin                | 1               |
| 6      | 09 27 67 016-00    | rosette            | 1               |
| 7      | 09 24 04 448 90    | nut                | 1               |
| 8      | 90 15 05 039 00 90 | cartridge          | 1               |
| 9      | 09 14 10 201 90    | seal               | 2               |
| 10     | 09 30 11 060 90    | disc               | 1               |
| 11     | 04 23 10 044 02 90 | fixing set         | 1               |
| 12     | 04 23 30 041 00 90 | threaded connector | 1               |
| 13     | 04 30 04 021 00 90 | hose               | 2               |
| 14     | 09 24 03 185-00    | nipple             | 2               |
| 15     | 09 14 05 004 90    | seal               | 2               |