



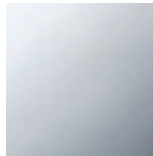
Shower - CL.1

Affusion pipe with cover plate - polished chrome

Article number: 27 848 979-00 0010



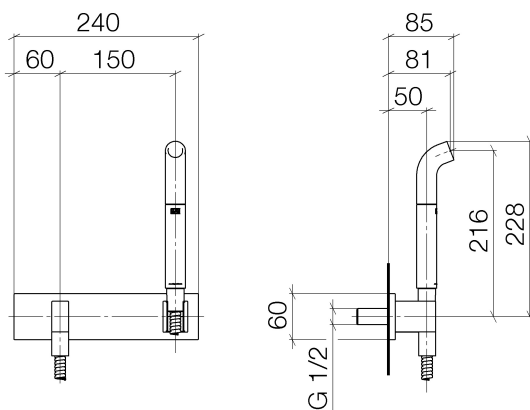
- Laminar stream
- 3/8" Shower outlet
- Cover plate 9-1/2" x 2-3/8"
- Metal shower hose 49-1/4" with anti-twist device
- 1/2" connection
- Plug-in connection mounting
- Water flow rate limited to max. 1.8 gpm
- Internal backflow preventer.



polished chrome

Accessory is required for this item.

Dimensional drawing



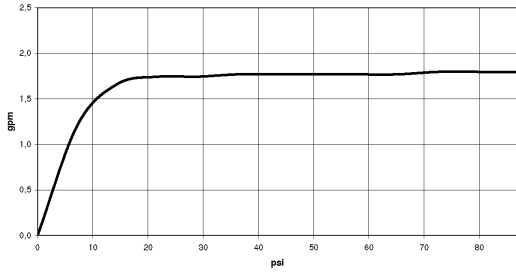
All dimensions in mm / inch = mm x 0,0394

Model/program/technical modifications and error excepted
For more information see: www.dornbracht.com + 49 (0) 2371 433-460 mail@dornbrachtgroup.de



Shower - CL.1
Affusion pipe with cover plate - polished chrome
Article number: 27 848 979-00 0010

Flow rate chart





Shower - CL.1

Affusion pipe with cover plate - polished chrome

Article number: 27 848 979-00 0010

Other surface finishes



platinum matte

27 848 979-06 0010



platinum

27 848 979-08 0010



Brushed Durabrass

27 848 979-28 0010



Dark Platinum matte

27 848 979-99 0010

More custom finish options are available via special production (xTra Service). Please see our finish matrix for availability and pricing or contact a Dornbracht representative.

Required article



35 080 970-90 0010

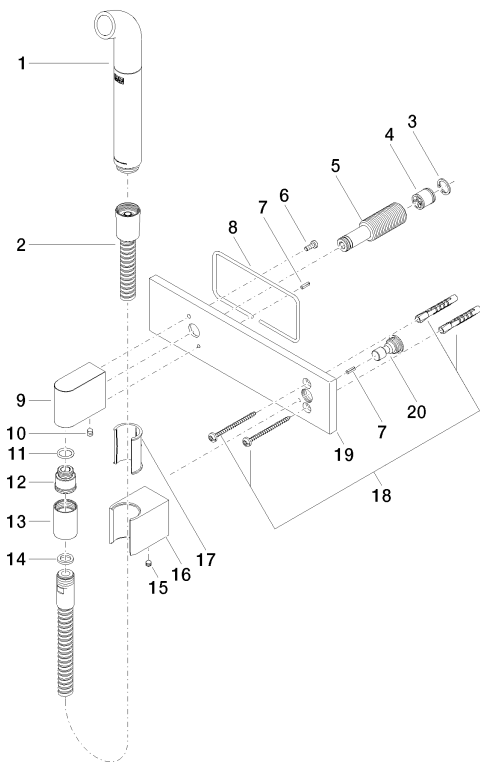
Rough-in adapter -

Shower - CL.1

Affusion pipe with cover plate - polished chrome

Article number: 27 848 979-00 0010

Spare parts list



Number	Item Number	Designation	Number of units
1	04 12 11 086 00-00	spout	1
2	09 30 02 072-00	Metal shower hose 1/2" x 3/8" x 49-1/4" - polished chrome	1
3	09 16 01 014 90	ring	1
4	09 23 01 166 90	flow reducer	1
5	90 24 03 212 00 90	nipple	1
6	09 14 10 008 90	seal	1
7	09 31 11 026 90	pin	2
8	09 14 03 127 90	seal	1
9	09 11 03 026 20-00	connection	1
10	04 31 11 004 00 90	pin	1
11	09 14 10 077 90	seal	1
12	09 24 03 107 20 90	nipple	1
13	09 21 02 069-00	cover	1
14	09 14 20 026 90	seal	1
15	04 31 11 112 00 90	pin	1
16	09 17 20 035-00	holder	1
17	09 18 40 078 90	sleeve	1
18	05 30 31 025 00 90	fixing set	1
19	09 11 02 133-00	plate	1
20	09 24 03 073 90	nipple	1